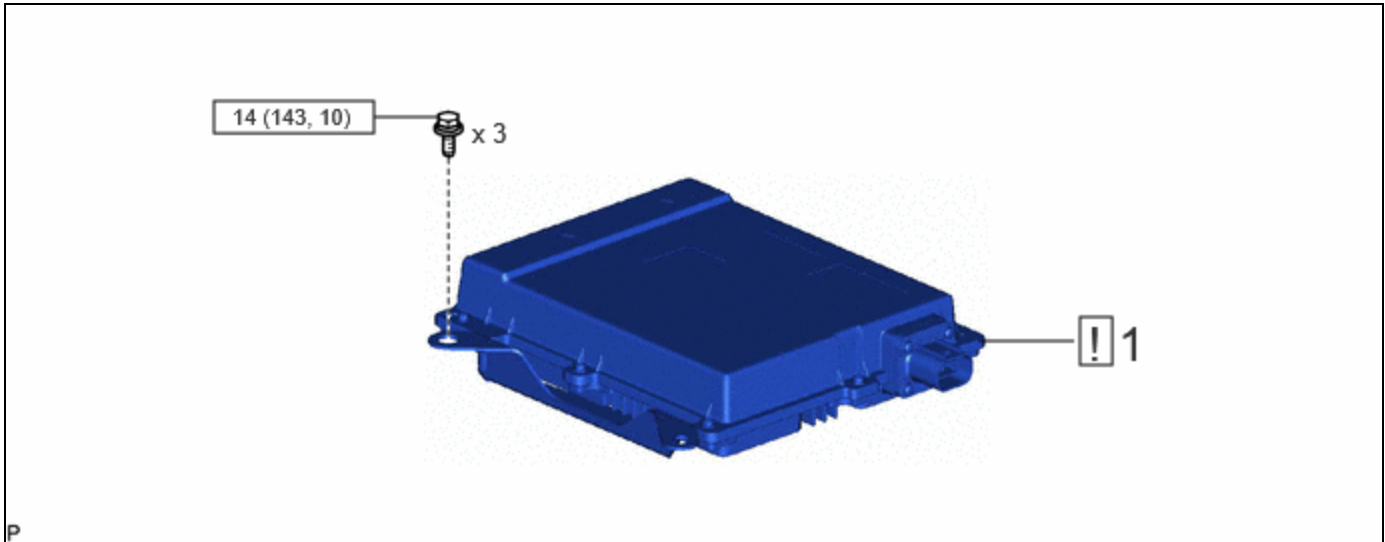


Last Modified: 12-04-2024	6.11:8.1.0	Doc ID: RM100000002B5CI
Model Year Start: 2023	Model: Prius Prime	Prod Date Range: [03/2023 -]
Title: M20A-FXS (BATTERY / CHARGING): SOLAR CONTROL UNIT: INSTALLATION; 2023 - 2024 MY Prius Prius Prime [03/2023 -]		

INSTALLATION

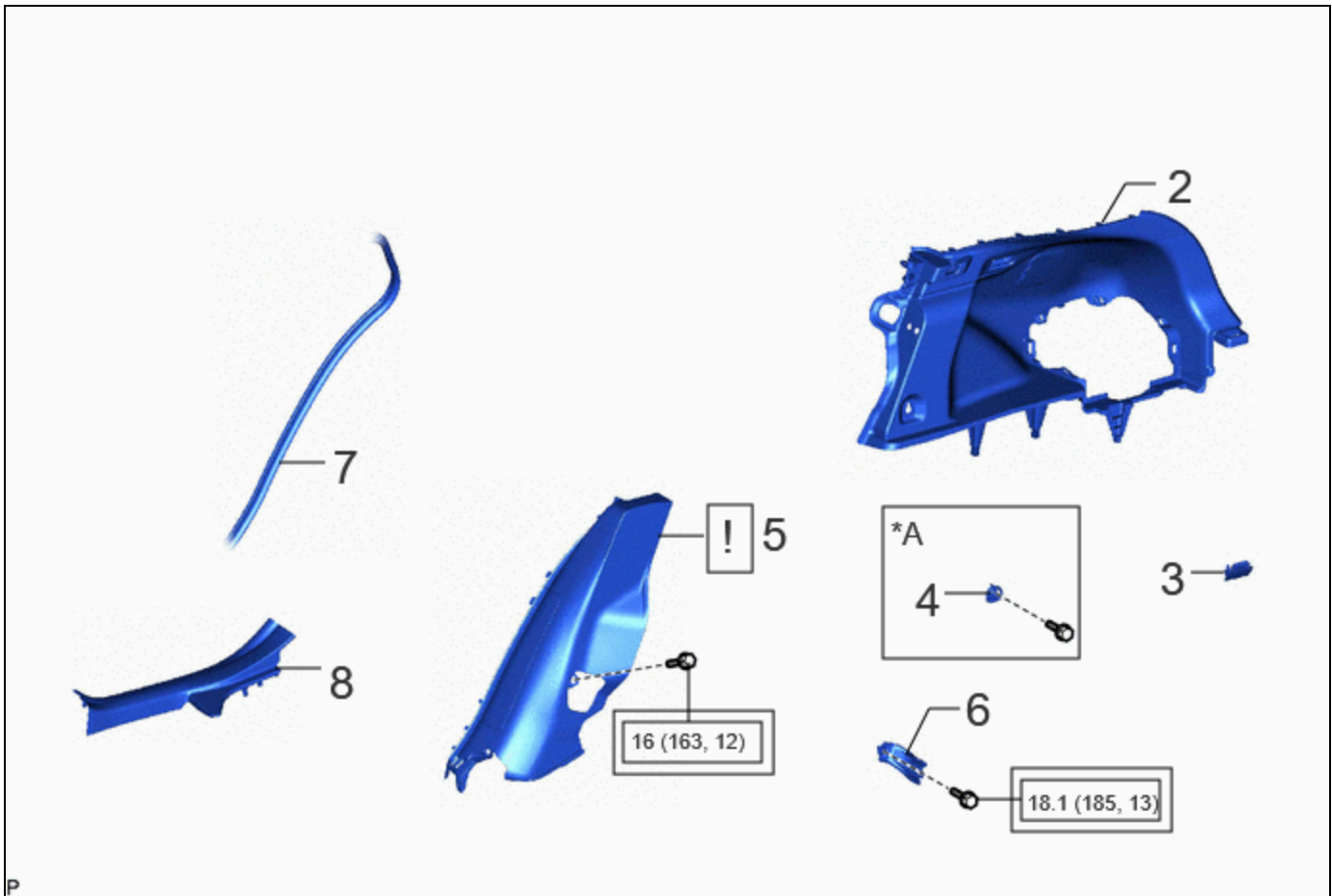
CAUTION / NOTICE / HINT

COMPONENTS (INSTALLATION)



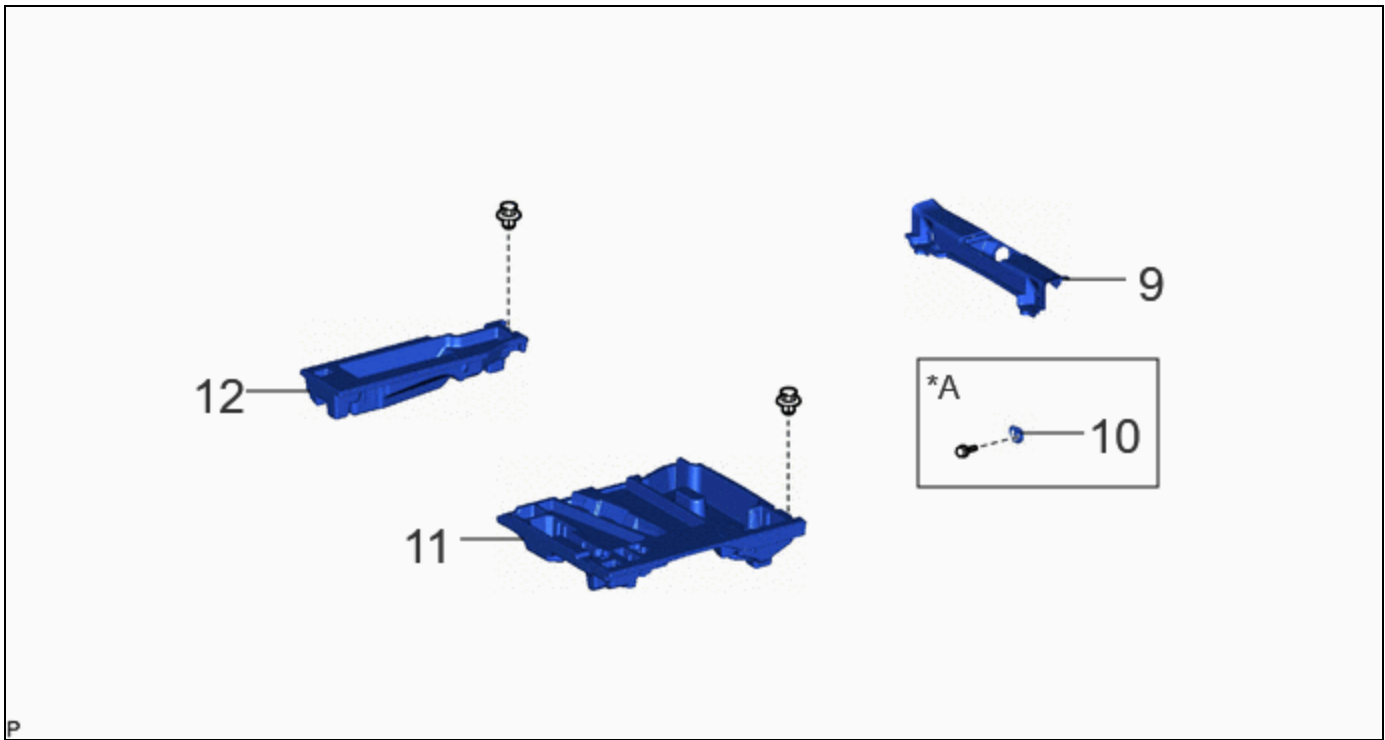
PROCEDURE		PART NAME CODE			
1	SOLAR ENERGY CONTROL ECU ASSEMBLY	894B0	INFO	-	-




	N*m (kgf*cm, ft.*lbf): Specified torque	-	-
--	---	---	---



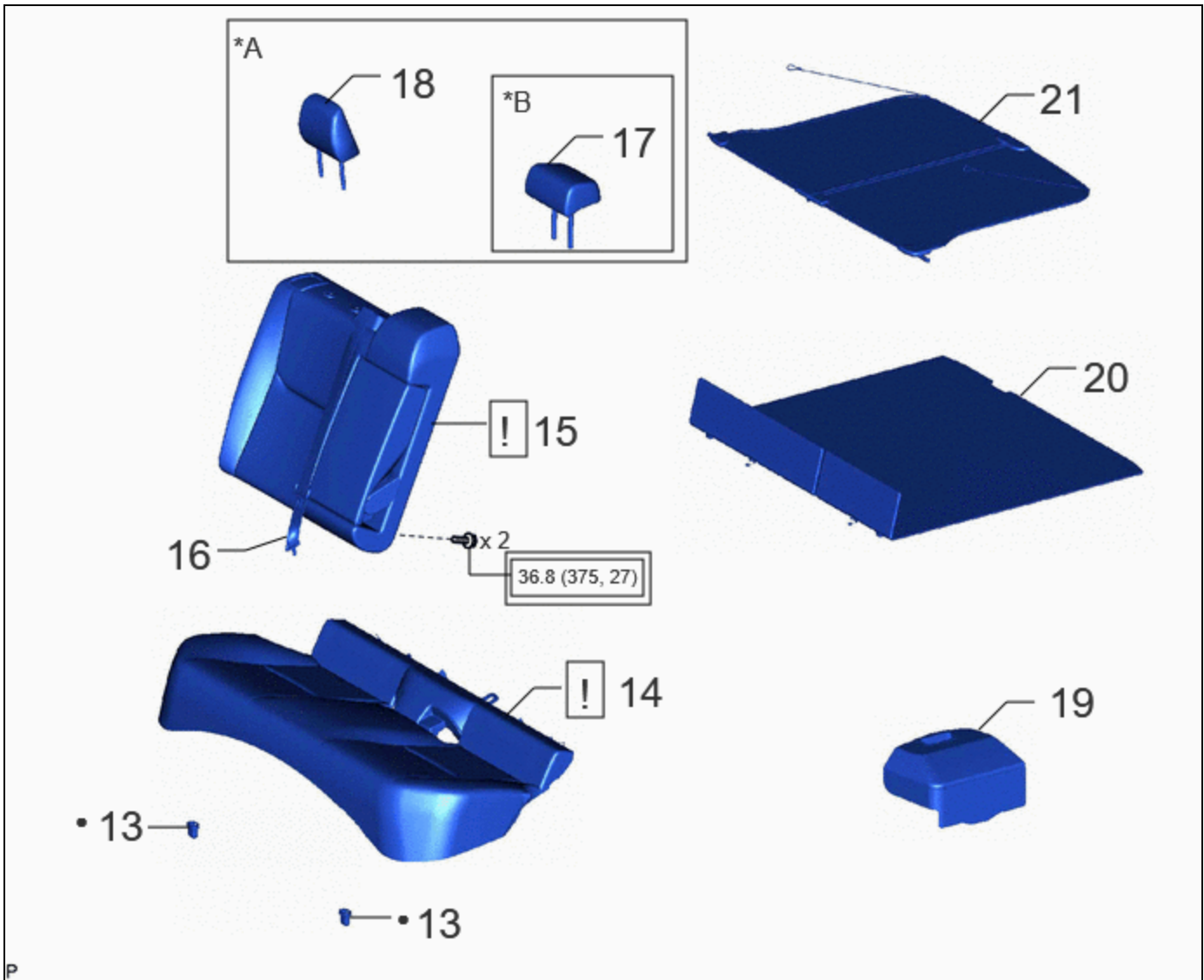
PROCEDURE	PART NAME CODE			
2 DECK TRIM SIDE PANEL ASSEMBLY RH	64730B	-	-	-
3 NO. 1 LUGGAGE COMPARTMENT LIGHT ASSEMBLY	81330	-	-	-
4 LUGGAGE HOLD BELT STRIKER ASSEMBLY	58460D	-	-	-
5 REAR SEAT SIDE GARNISH RH	62551F	INFO	-	-
6 REAR SEAT BACK HINGE SUB-ASSEMBLY RH	71303C	-	-	-
7 REAR DOOR OPENING TRIM WEATHERSTRIP RH	62331A	-	-	-
8 REAR DOOR SCUFF PLATE INSIDE RH	67917F	-	-	-

*A	for RH Side	-	-
	Tightening torque for "Major areas involving basic vehicle performance such as moving/turning/stopping": N*m (kgf*cm, ft.*lbf)	-	-




PROCEDURE		PART NAME CODE			
9	REAR DECK TRIM COVER	64716D	-	-	-
10	LUGGAGE HOLD BELT STRIKER ASSEMBLY	58460D	-	-	-
11	DECK FLOOR BOX LH	64997	-	-	-
12	DECK FLOOR BOX RH	64995	-	-	-

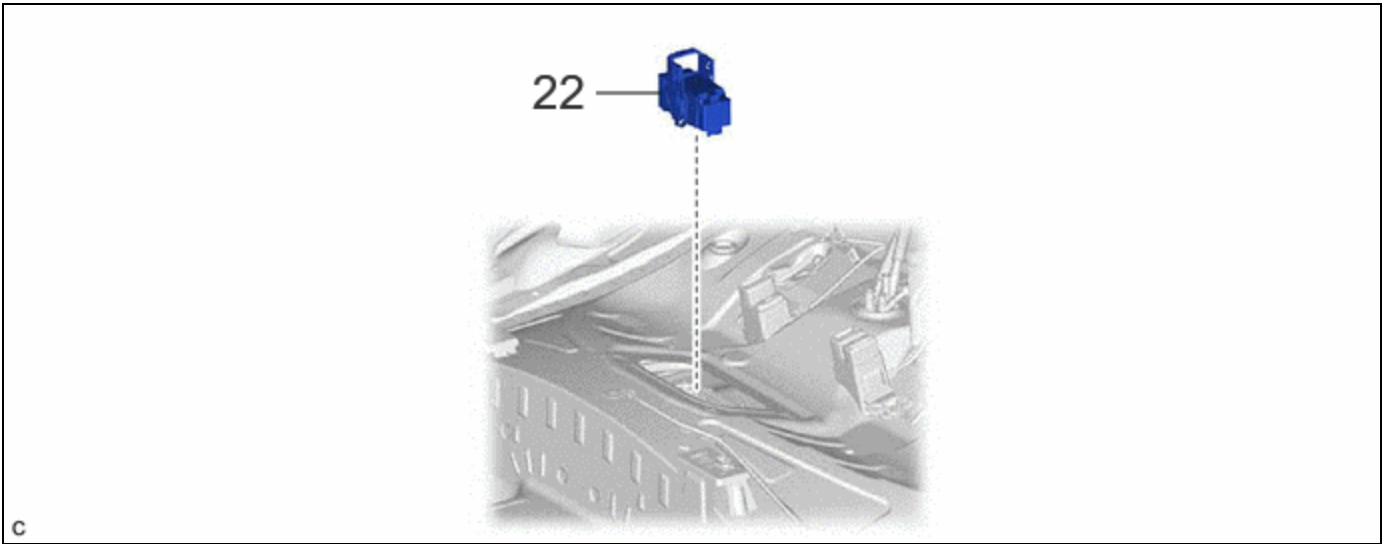
*A	for Rear Side	-	-
----	---------------	---	---






PROCEDURE		PART NAME CODE			
13	REAR SEAT CUSHION LOCK HOOK	72693	-	-	-
14	REAR SEAT CUSHION ASSEMBLY	-	INFO	-	-
15	REAR SEATBACK ASSEMBLY RH	-	INFO	-	-
16	REAR CENTER SEAT OUTER BELT ASSEMBLY	73350C	-	-	-
17	REAR SEAT CENTER HEADREST ASSEMBLY	71960B	-	-	-
18	REAR SEAT HEADREST ASSEMBLY	71940A	-	-	-
19	BATTERY SERVICE HOLE COVER ASSEMBLY	58440	-	-	-
20	DECK BOARD ASSEMBLY	58410B	-	-	-
21	TONNEAU COVER ASSEMBLY	64910J	-	-	-

*A	for RH Side	*B	w/ Center Headrest
----	-------------	----	--------------------

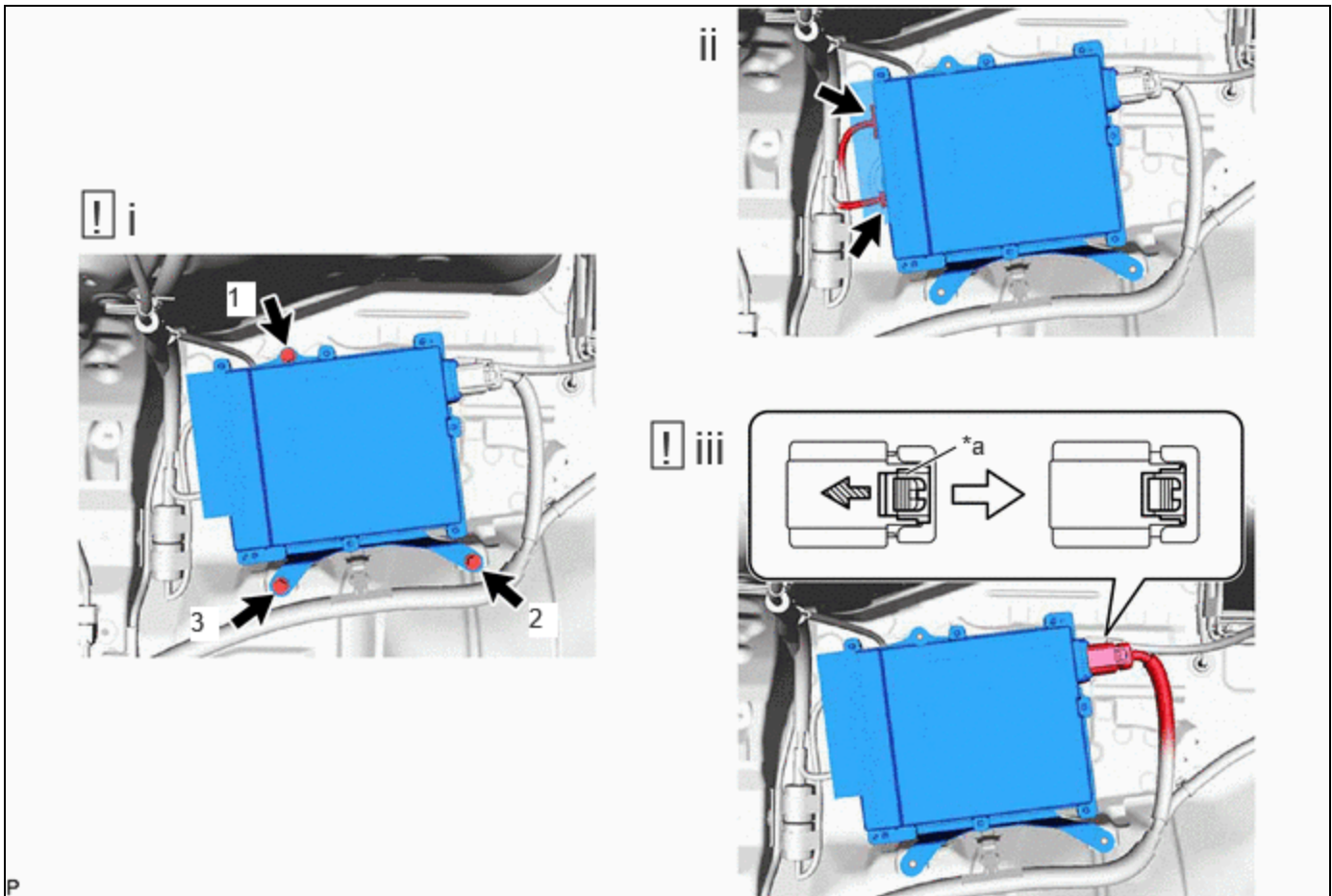
	Tightening torque for "Major areas involving basic vehicle performance such as moving/turning/stopping": N*m (kgf*cm, ft.*lbf)	<ul style="list-style-type: none"> • Non-reusable part
---	--	---



PROCEDURE	PART NAME CODE			
22 SERVICE PLUG GRIP	G3834	-	-	-

PROCEDURE

1. INSTALL SOLAR ENERGY CONTROL ECU ASSEMBLY



*a	Green-colored Lock	-	-
	Slide	-	-

(1) Install the solar energy control ECU assembly with the 3 bolts.

Torque:

14 N·m {143 kgf·cm, 10 ft·lbf}

HINT:

Tighten the bolts in the order shown in the illustration.

(2) Connect the 2 connectors.

(3) Remove the insulating tape from the connector, and connect the connector and slide the green-colored lock as shown in the illustration to securely lock it.

CAUTION:

Make sure to wear insulated gloves.

NOTICE:

- Make sure that the connector is connected securely.
- Check that the waterproof sheet is properly set.

2. INSTALL DECK TRIM SIDE PANEL ASSEMBLY RH

3. INSTALL NO. 1 LUGGAGE COMPARTMENT LIGHT ASSEMBLY

4. INSTALL LUGGAGE HOLD BELT STRIKER ASSEMBLY (for RH Side)

5. INSTALL REAR SEAT SIDE GARNISH RH**HINT:**

Use the same procedure as for the LH side.

Click here [INFO](#)

6. INSTALL REAR SEAT BACK HINGE SUB-ASSEMBLY RH

Click here [INFO](#)

7. CONNECT REAR DOOR OPENING TRIM WEATHERSTRIP RH**8. INSTALL REAR DOOR SCUFF PLATE INSIDE RH****9. INSTALL REAR DECK TRIM COVER****10. INSTALL LUGGAGE HOLD BELT STRIKER ASSEMBLY (for Rear Side)****11. INSTALL DECK FLOOR BOX LH****12. INSTALL DECK FLOOR BOX RH****13. INSTALL REAR SEAT CUSHION LOCK HOOK****14. INSTALL REAR SEAT CUSHION ASSEMBLY**

Click here [INFO](#)

15. INSTALL REAR SEATBACK ASSEMBLY RH

Click here [INFO](#)

16. CONNECT REAR CENTER SEAT OUTER BELT ASSEMBLY**17. INSTALL REAR SEAT CENTER HEADREST ASSEMBLY (for RH Side)****18. INSTALL REAR SEAT HEADREST ASSEMBLY (for RH Side)****19. INSTALL BATTERY SERVICE HOLE COVER ASSEMBLY****20. INSTALL DECK BOARD ASSEMBLY****21. INSTALL TONNEAU COVER ASSEMBLY****22. INSTALL SERVICE PLUG GRIP**

Click here [INFO](#)

