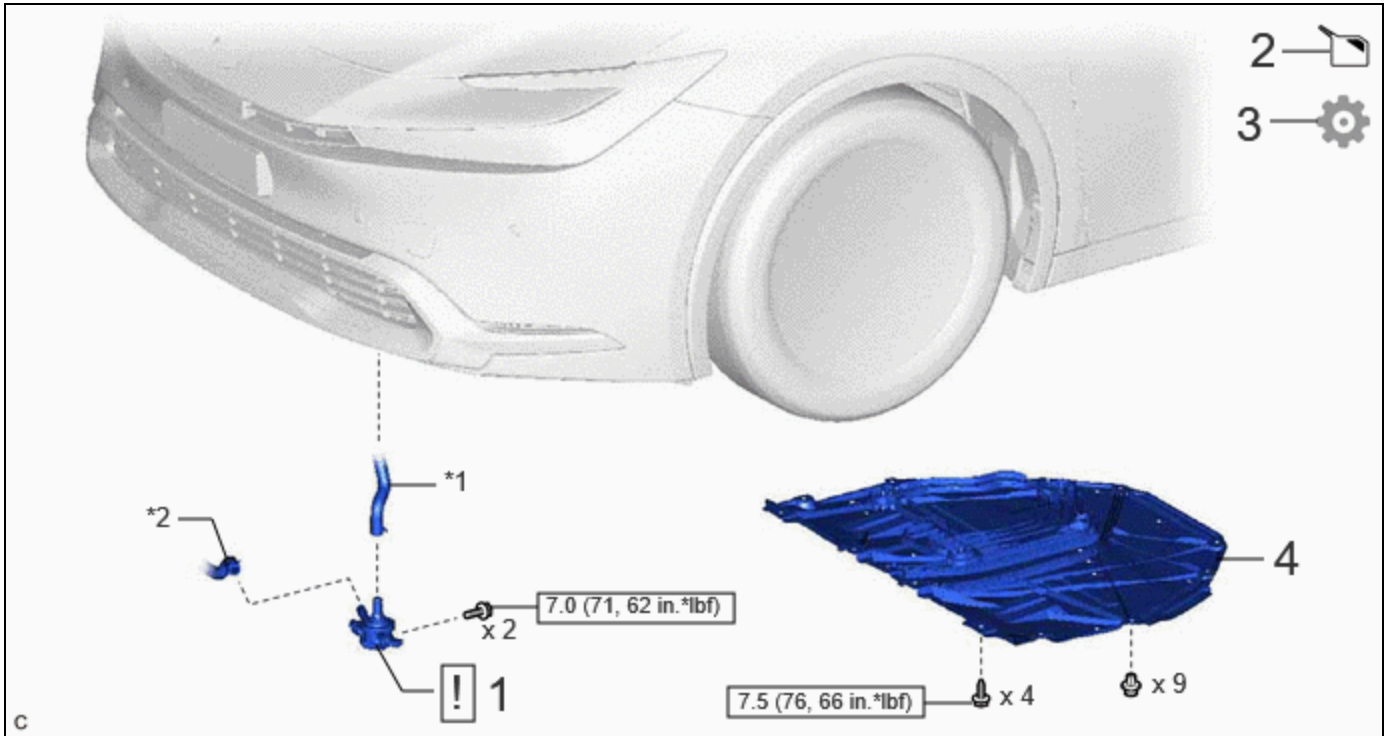


Last Modified: 12-04-2024	6.11:8.1.0	Doc ID: RM100000002B7GW
Model Year Start: 2023	Model: Prius Prime	Prod Date Range: [03/2023 -]
Title: HYBRID / BATTERY CONTROL: WATER PUMP WITH MOTOR: INSTALLATION; 2023 - 2024 MY Prius Prius Prime [03/2023 -]		

INSTALLATION

CAUTION / NOTICE / HINT

COMPONENTS(INSTALLATION)

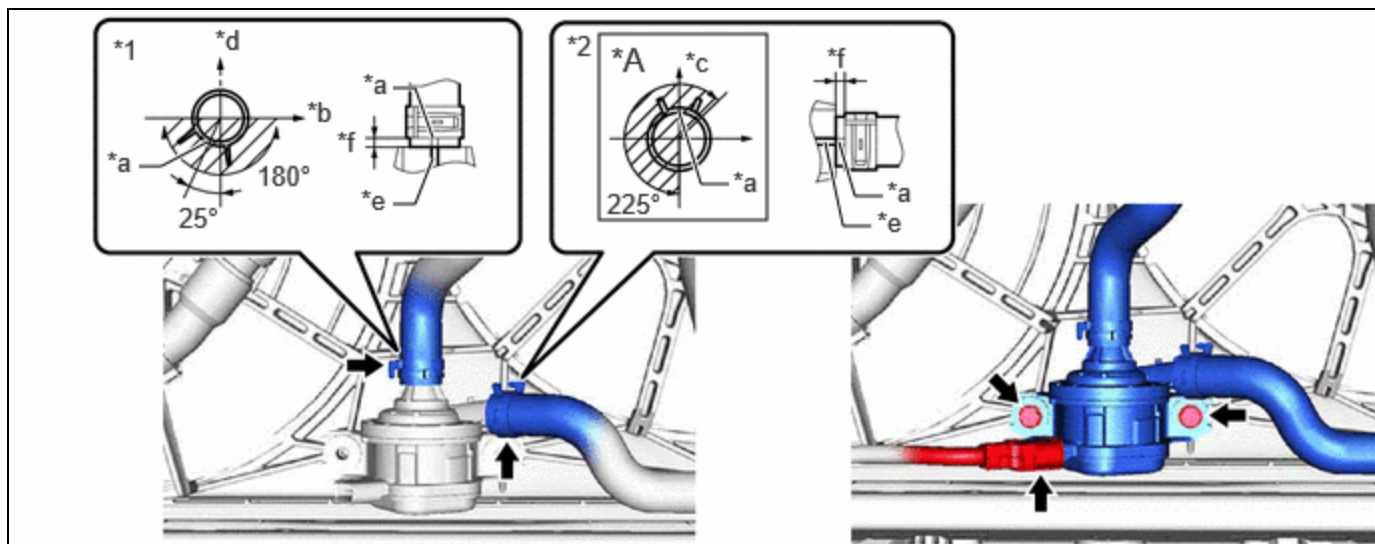


PROCEDURE	PART NAME CODE	!	📄	⚙️
1 INVERTER WATER PUMP WITH MOTOR ASSEMBLY	G9040	INFO	-	-
2 COOLANT (for Inverter)	-	-	INFO	-
3 COOLANT LEAK (for Inverter)	-	-	-	INFO
4 NO. 1 ENGINE UNDER COVER ASSEMBLY	5140	-	-	-

*1	Hybrid Water Pump Inlet Hose	*2	Hybrid Radiator Inlet Hose
	N*m (kgf*cm, ft.*lbf): Specified torque	-	-

PROCEDURE

1. INSTALL INVERTER WATER PUMP WITH MOTOR ASSEMBLY (for HEV Model)



*A	for 2ZR-FXE	-	-
*1	Hybrid Water Pump Inlet Hose	*2	Hybrid Radiator Inlet Hose
*a	Alignment Mark	*b	RH Side
*c	Up	*d	Front of Vehicle
*e	Rib	*f	2 to 6 mm (0.0787 to 0.236 in.)

(1) Connect the outlet No. 1 hybrid water pump hose and inlet hybrid water pump hose to the inverter water pump with motor assembly and slide the 2 clips to secure them.

NOTICE:

- To prevent foreign matter from entering the inverter water pump with motor assembly and inverter cooling system, do not remove the pieces of cloth from the pipes and disconnected hoses until installation.
- Make sure to align the alignment marks of the hoses with the ribs of the inverter water pump with motor assembly.
- Do not apply excessive force to the hoses.
- If the inverter water pump with motor assembly has been struck or dropped, replace it.
- Make sure to connect the outlet No. 1 hybrid water pump hose and inlet hybrid water pump hose to the point where they contact the rib of the inverter water pump with motor assembly.

HINT:

Make sure that the clips are positioned as shown in the illustration.

- (2) Temporarily install the inverter water pump with motor assembly to the fan shroud assembly with the 2 bolts.
- (3) Fully tighten the 2 bolts.

Torque:

7.0 N·m {71 kgf·cm, 62 in·lbf}

NOTICE:

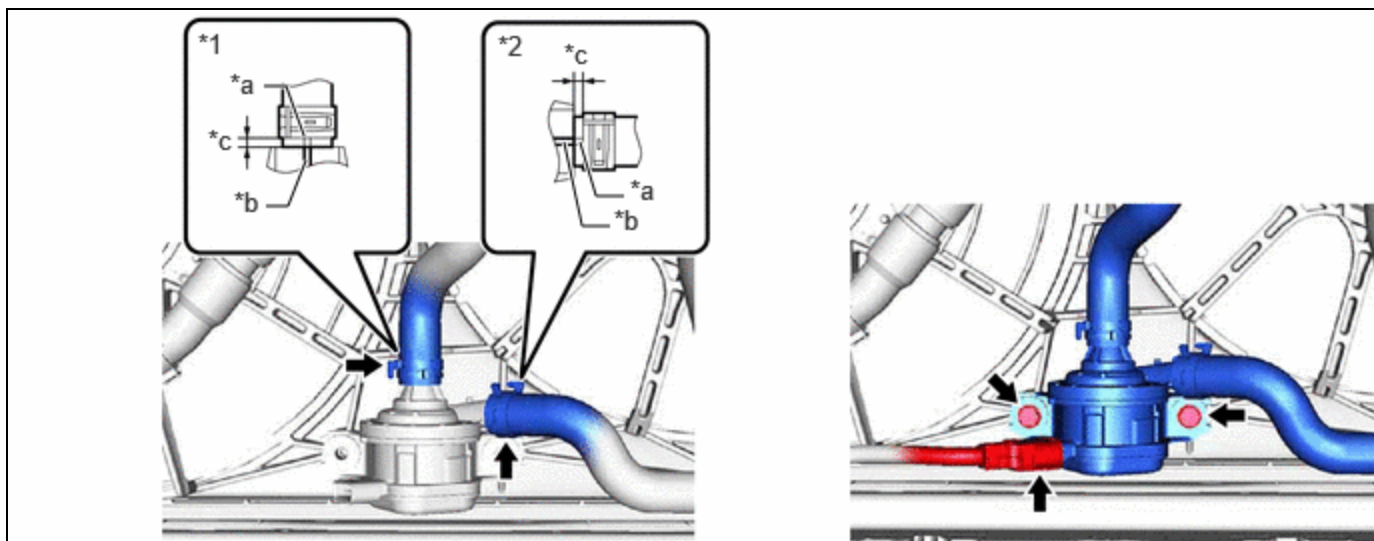
As overtightening the bolts may damage the fan shroud assembly, make sure to use a torque wrench.

- (4) Connect the inverter water pump with motor assembly connector.

NOTICE:

If a dustproof cap is installed to the inverter water pump with motor assembly connector, do not remove it until the connector is to be connected.

2. INSTALL INVERTER WATER PUMP WITH MOTOR ASSEMBLY (for PHEV Model)



*1	Hybrid Water Pump Inlet Hose	*2	Hybrid Radiator Inlet Hose
*a	Alignment Mark	*b	Rib
*c	2 to 6 mm (0.0787 to 0.236 in.)	-	-

(1) Connect the outlet No. 1 hybrid water pump hose and inlet hybrid water pump hose to the inverter water pump with motor assembly and slide the 2 clips to secure them.

NOTICE:

- To prevent foreign matter from entering the inverter water pump with motor assembly and inverter cooling system, do not remove the pieces of cloth from the pipes and disconnected hoses until installation.
- Make sure to align the alignment marks of the hoses with the ribs of the inverter water pump with motor assembly.
- Do not apply excessive force to the hoses.
- If the inverter water pump with motor assembly has been struck or dropped, replace it.
- Make sure to connect the outlet No. 1 hybrid water pump hose and inlet hybrid water pump hose to the point where they contact the rib of the inverter water pump with motor assembly.

HINT:

Make sure that the clips are positioned as shown in the illustration.

- (2) Temporarily install the inverter water pump with motor assembly to the fan shroud assembly with the 2 bolts.
- (3) Fully tighten the 2 bolts.

Torque:

7.0 N·m {71 kgf·cm, 62 in·lbf}

NOTICE:

As overtightening the bolts may damage the fan shroud assembly, make sure to use a torque wrench.

- (4) Connect the inverter water pump with motor assembly connector.

NOTICE:

If a dustproof cap is installed to the inverter water pump with motor assembly connector, do not remove it until the connector is to be connected.

3. ADD COOLANT (for Inverter)

Click here [INFO](#)

4. INSPECT FOR COOLANT LEAK (for Inverter)

Click here [INFO](#)

5. INSTALL NO. 1 ENGINE UNDER COVER ASSEMBLY

- for M20A-FXS:

Click here [INFO](#)

- for 2ZR-FXE:

Click here [INFO](#)

