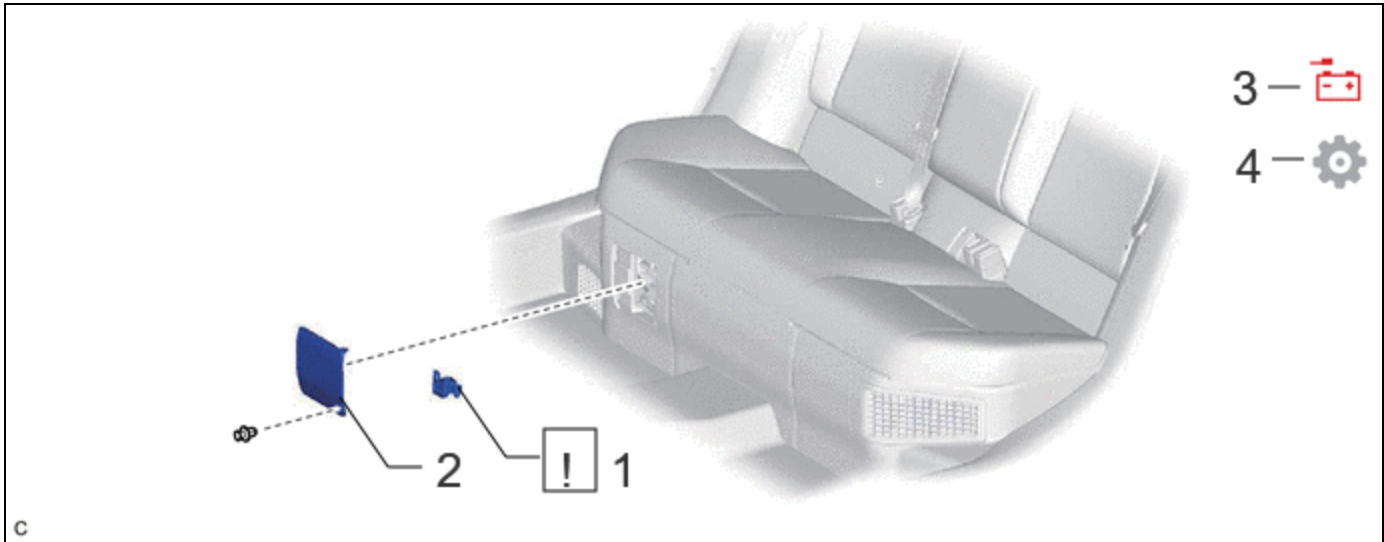


Last Modified: 12-04-2024	6.11:8.1.0	Doc ID: RM1000000029QXF
Model Year Start: 2023	Model: Prius	Prod Date Range: [12/2022 -]
Title: HYBRID / BATTERY CONTROL: SERVICE PLUG GRIP (for HEV Model): INSTALLATION; 2023 - 2024 MY Prius [12/2022 -]		

INSTALLATION

CAUTION / NOTICE / HINT


COMPONENTS (INSTALLATION)

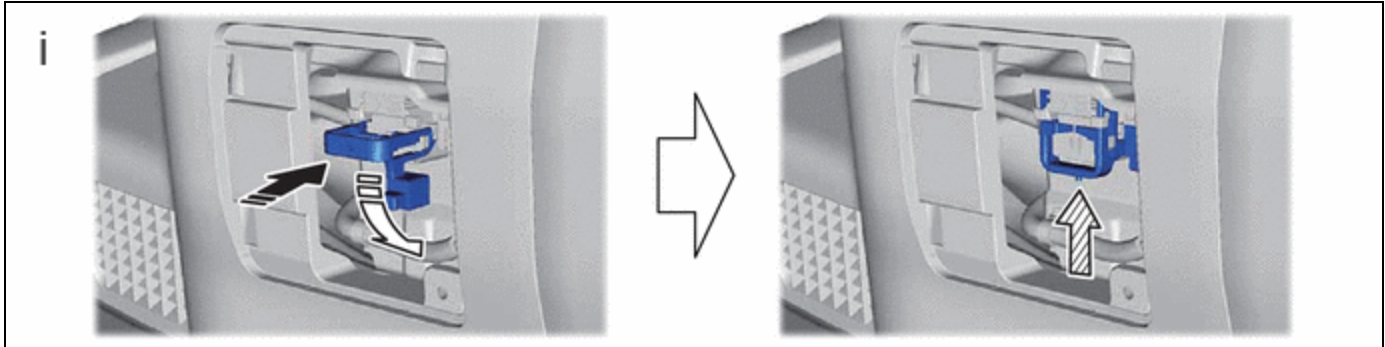





	PROCEDURE	PART NAME CODE			
1	SERVICE PLUG GRIP	G3834	INFO	-	-
2	BATTERY SERVICE HOLE COVER	58441M	-	-	-
3	NEGATIVE AUXILIARY BATTERY TERMINAL	-	-	-	-
4	PERFORM INITIALIZATION AFTER RECONNECTING AUXILIARY BATTERY TERMINAL	-	-	-	INFO

PROCEDURE

1. INSTALL SERVICE PLUG GRIP

	<p>CAUTION: Be sure to wear insulated gloves.</p> <p>NOTICE:</p> <ul style="list-style-type: none"> • Before installing the service plug grip, check that no parts or tools remain and that the high voltage terminals and connectors are connected securely. • After pulling the service plug grip down by 90°, make sure to slide it until a click sound is heard.
---	--



	Install in this Direction (1)		Install in this Direction (2)
	Install in this Direction (3)	-	-

(1) While wearing insulated gloves, and temporarily install the service plug grip as indicated by the arrow (1) shown in the illustration.

2. INSTALL BATTERY SERVICE HOLE COVER

3. CONNECT CABLE TO NEGATIVE AUXILIARY BATTERY TERMINAL

- for M20A-FXS:

Click here [INFO](#)

- for 2ZR-FXE:

Click here [INFO](#)

4. PERFORM INITIALIZATION AFTER RECONNECTING AUXILIARY BATTERY TERMINAL

HINT:

When disconnecting and reconnecting the battery, there is an automatic learning function that completes learning when the respective system is used.

Click here [INFO](#)

