

Last Modified: 12-04-2024	6.11:8.1.0	Doc ID: RM1000000029QX9
Model Year Start: 2023	Model: Prius	Prod Date Range: [12/2022 -]
Title: HYBRID / BATTERY CONTROL: HV RELAY ASSEMBLY (for HEV Model): REMOVAL; 2023 - 2024 MY Prius [12/2022 -]		

REMOVAL

CAUTION / NOTICE / HINT

The necessary procedures (adjustment, calibration, initialization, or registration) that must be performed after parts are removed and installed, or replaced during No. 1 traction battery device box removal/installation are shown below.

Necessary Procedures After Parts Removed/Installed/Replaced

REPLACED PART OR PERFORMED PROCEDURE	NECESSARY PROCEDURES	EFFECT/INOPERATIVE FUNCTION WHEN NECESSARY PROCEDURE NOT PERFORMED	LINK
Replacement of No. 1 traction battery device box assembly	Current sensor offset learning	DTCs are stored	INFO
	High voltage fuse accumulated load history reset	DTCs are stored	M20A-FXS: INFO 2ZR-FXE: INFO

CAUTION:

- Orange wire harnesses and connectors indicate high-voltage circuits. To prevent electric shock, always follow



the procedure described in the repair manual.

[Click here](#) INFO

- To prevent electric shock, wear insulated gloves when working on wire harnesses and components of the high



voltage system.

NOTICE:

- After the ignition switch is turned off, there may be a waiting time before disconnecting the negative (-) auxiliary battery terminal.

[Click here](#) INFO

HINT:

When the cable is disconnected/reconnected to the auxiliary battery terminal, systems temporarily stop operating. However, each system has a function that completes learning the first time the system is used.

Items for which learning is completed by driving the vehicle

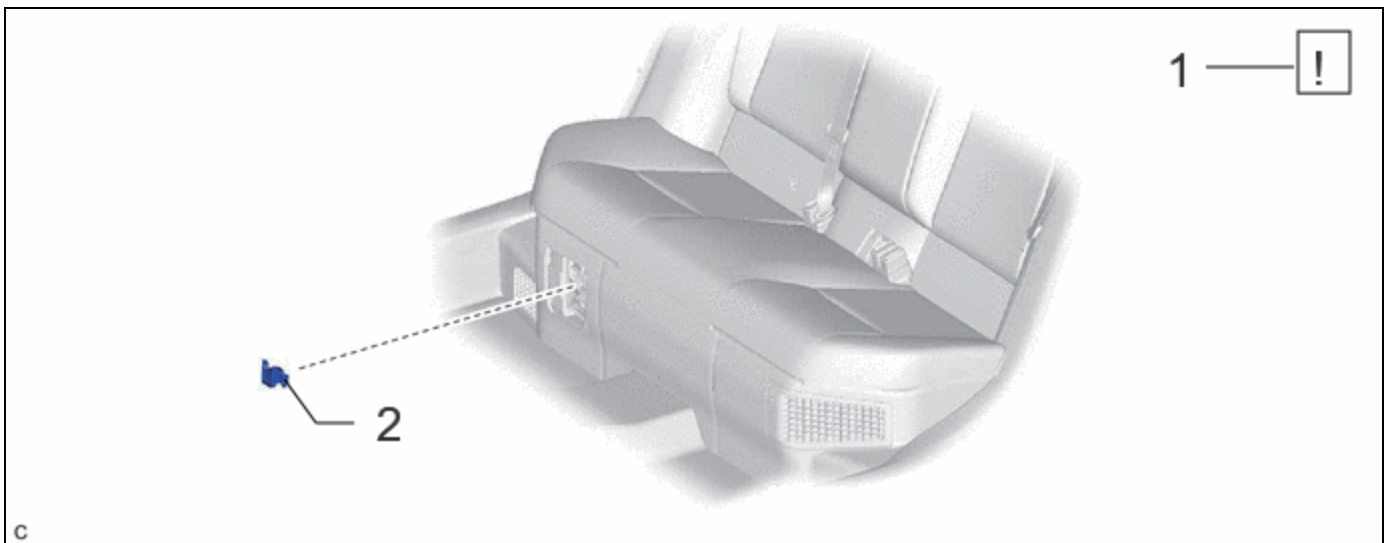
EFFECT/INOPERATIVE FUNCTION WHEN NECESSARY PROCEDURES ARE NOT PERFORMED	NECESSARY PROCEDURES	LINK
Front Camera System	Drive the vehicle straight ahead at 35 km/h (22 mph) or more for 5 seconds or more.	INFO

Items for which learning is completed by operating the vehicle normally

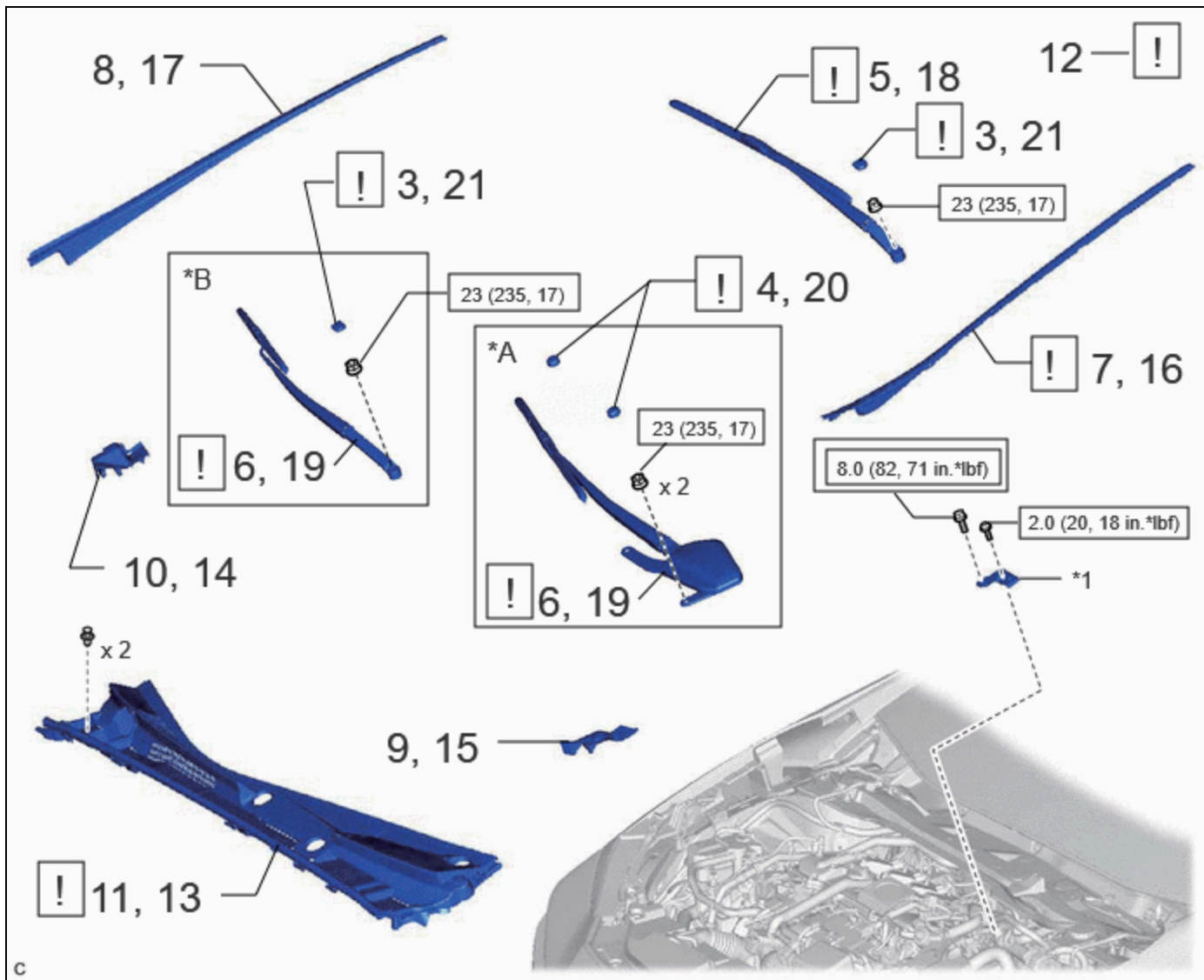
EFFECT/INOPERATIVE FUNCTION WHEN NECESSARY PROCEDURES ARE NOT PERFORMED	NECESSARY PROCEDURES	LINK
Power Door Lock Control System*1 <ul style="list-style-type: none"> Back door opener 	Perform door unlock operation with door control switch or electrical key transmitter sub-assembly switch.	INFO
Power Back Door System*2	Reset back door close position	INFO
Air Conditioning System	After the ignition switch is turned to ON, the servo motor standard position is recognized.	-
*1: w/o Power Back Door System *2: w/ Power Back Door System		

CAUTION / NOTICE / HINT






COMPONENTS (REMOVAL)





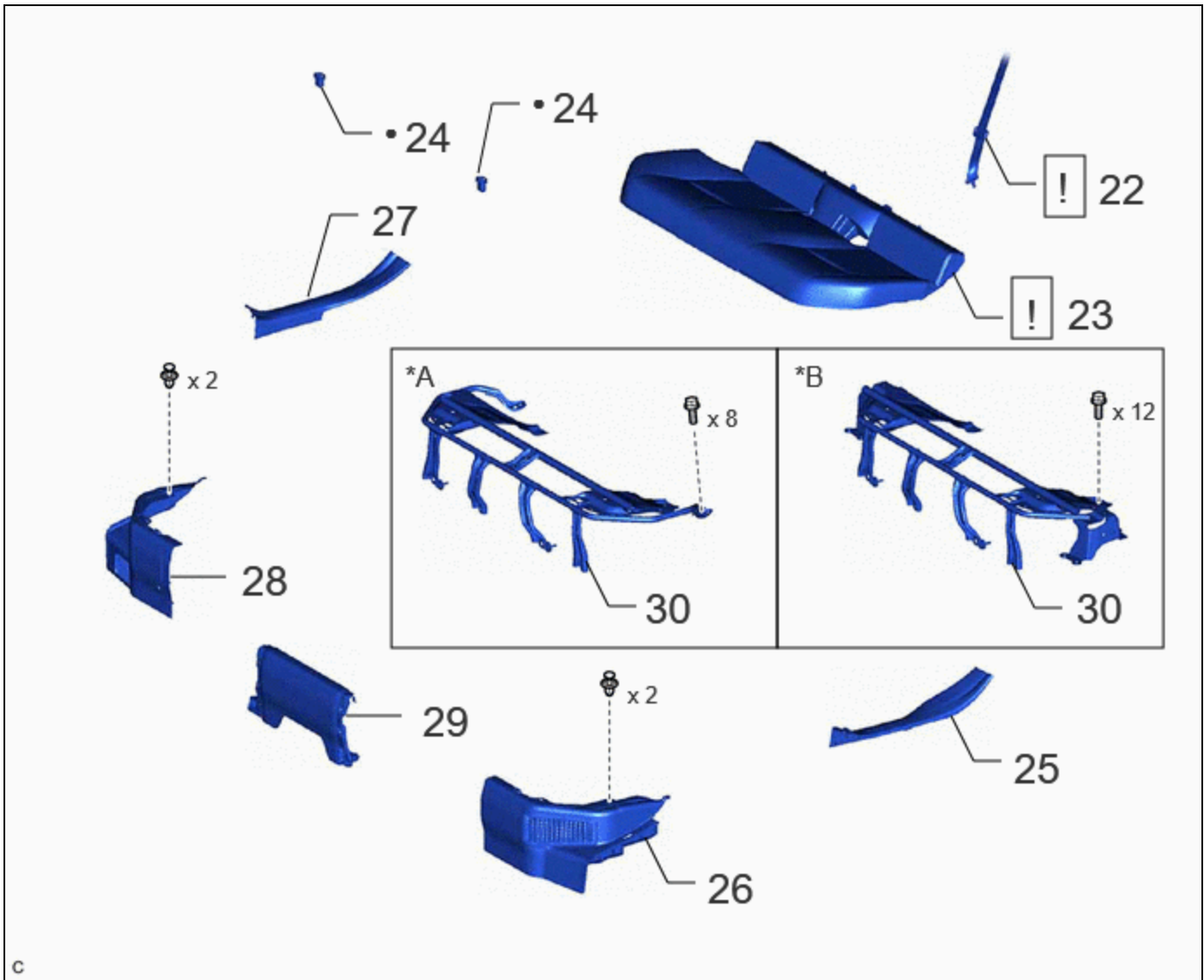
PROCEDURE	PART NAME CODE			
1 PRECAUTION	-	INFO	-	-
2 SERVICE PLUG GRIP	G3834	-	-	-



PROCEDURE		PART NAME CODE	!		
3	FRONT WIPER ARM HEAD CAP	85292B	INFO	-	-
4	SHIELD CAP	85247	INFO	-	-
5	FRONT WIPER ARM AND BLADE ASSEMBLY LH	-	-	-	-
6	FRONT WIPER ARM AND BLADE ASSEMBLY RH	-	-	-	-
7	WINDSHIELD LOWER OUTSIDE MOULDING LH	75536D	INFO	-	-
8	WINDSHIELD LOWER OUTSIDE MOULDING RH	75535F	-	-	-
9	COWL WATER EXTRACT SHIELD LH	55754F	-	-	-
10	COWL WATER EXTRACT SHIELD RH	55753D	-	-	-
11	COWL TOP VENTILATOR LOUVER SUB-ASSEMBLY	55708	-	-	-
12	CHECK TERMINAL VOLTAGE	-	INFO	-	-
13	COWL TOP VENTILATOR LOUVER SUB-ASSEMBLY	55708	INFO	-	-

PROCEDURE		PART NAME CODE			
14	COWL WATER EXTRACT SHIELD RH	55753D	-	-	-
15	COWL WATER EXTRACT SHIELD LH	55754F	-	-	-
16	WINDSHIELD LOWER OUTSIDE MOULDING LH	75536D	-	-	-
17	WINDSHIELD LOWER OUTSIDE MOULDING RH	75535F	-	-	-
18	FRONT WIPER ARM AND BLADE ASSEMBLY LH	-		-	-
19	FRONT WIPER ARM AND BLADE ASSEMBLY RH	-		-	-
20	SHIELD CAP	85247	-	-	-
21	FRONT WIPER ARM HEAD CAP	85292B	-	-	-

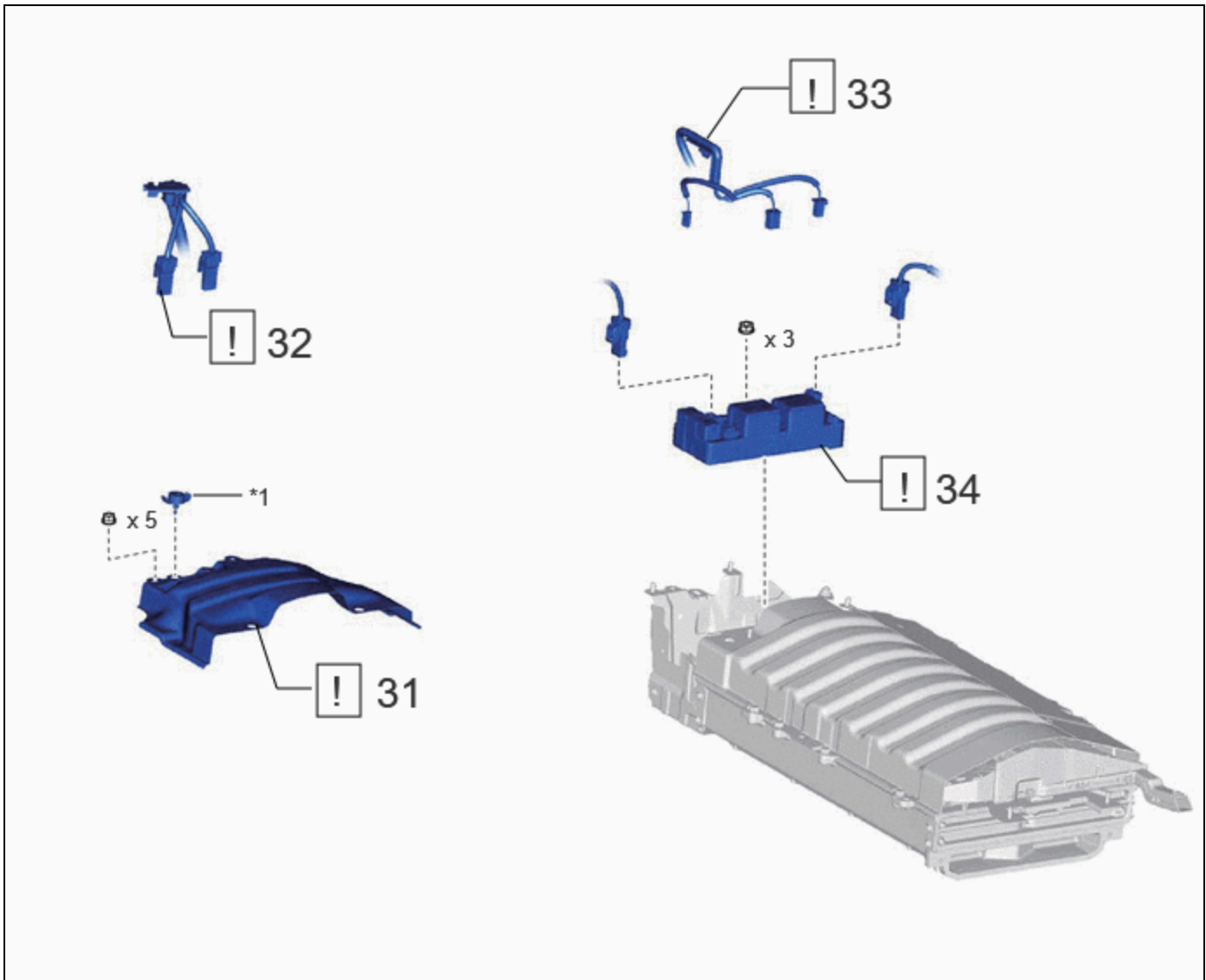
*A	for M20A-FXS	*B	for 2ZR-FXE
*1	Connector Cover Assembly	-	-
	Tightening torque for "Major areas involving basic vehicle performance such as moving/turning/stopping": N*m (kgf*cm, ft.*lbf)		N*m (kgf*cm, ft.*lbf): Specified torque



PROCEDURE		PART NAME CODE			
22	REAR CENTER SEAT OUTER BELT ASSEMBLY	73350C	INFO	-	-
23	REAR SEAT CUSHION ASSEMBLY	-	INFO	-	-
24	REAR SEAT CUSHION LOCK HOOK	72693	-	-	-
25	REAR DOOR SCUFF PLATE INSIDE LH	67918F	-	-	-
26	REAR UNDER SIDE COVER LH	76974E	-	-	-
27	REAR DOOR SCUFF PLATE INSIDE RH	67917F	-	-	-
28	REAR UNDER SIDE COVER RH	76973E	-	-	-
29	REAR UNDER COVER	76971F	-	-	-
30	REAR SEAT CUSHION LEG SUB-ASSEMBLY	71033	-	-	-

*A	for Type A	*B	for Type B
----	------------	----	------------

•	Non-reusable part	-	-
---	-------------------	---	---



PROCEDURE		PART NAME CODE	!		
31	NO. 1 HV BATTERY COVER PANEL RH	G92N4A	INFO	-	-
32	FLOOR UNDER WIRE	821H1	INFO	-	-
33	FLOOR WIRE	82161	INFO	-	-
34	NO. 1 TRACTION BATTERY DEVICE BOX	G384B	INFO	-	-

*1	Battery Cover Lock Striker	-	-
----	----------------------------	---	---

PROCEDURE

1. PRECAUTION



Click here [INFO](#)

2. REMOVE SERVICE PLUG GRIP

Click here [INFO](#)

3. REMOVE FRONT WIPER ARM HEAD CAP



Click here [INFO](#)

4. REMOVE SHIELD CAP (for M20A-FXS)



Click here [INFO](#)

5. REMOVE FRONT WIPER ARM AND BLADE ASSEMBLY LH

Click here [INFO](#)

6. REMOVE FRONT WIPER ARM AND BLADE ASSEMBLY RH

Click here [INFO](#)

7. REMOVE WINDSHIELD LOWER OUTSIDE MOULDING LH



Click here [INFO](#)

8. REMOVE WINDSHIELD LOWER OUTSIDE MOULDING RH

(a) Use the same procedure as for the LH side.

9. REMOVE COWL WATER EXTRACT SHIELD LH

Click here [INFO](#)

10. REMOVE COWL WATER EXTRACT SHIELD RH

(a) Use the same procedure as for the LH side.

11. REMOVE COWL TOP VENTILATOR LOUVER SUB-ASSEMBLY

Click here [INFO](#)

12. CHECK TERMINAL VOLTAGE



Click here [INFO](#)

13. INSTALL COWL TOP VENTILATOR LOUVER SUB-ASSEMBLY



Click here [INFO](#)

14. INSTALL COWL WATER EXTRACT SHIELD RH

15. INSTALL COWL WATER EXTRACT SHIELD LH

16. INSTALL WINDSHIELD LOWER OUTSIDE MOULDING LH

Click here [INFO](#)

17. INSTALL WINDSHIELD LOWER OUTSIDE MOULDING RH

(a) Use the same procedure as for the LH side.

18. INSTALL FRONT WIPER ARM AND BLADE ASSEMBLY LH



Click here [INFO](#)

19. INSTALL FRONT WIPER ARM AND BLADE ASSEMBLY RH



Click here [INFO](#)

20. INSTALL SHIELD CAP (for M20A-FXS)

21. INSTALL FRONT WIPER ARM HEAD CAP

22. DISCONNECT REAR CENTER SEAT OUTER BELT ASSEMBLY



Click here [INFO](#)

23. REMOVE REAR SEAT CUSHION ASSEMBLY



Click here [INFO](#)

24. REMOVE REAR SEAT CUSHION LOCK HOOK

Click here [INFO](#)

25. REMOVE REAR DOOR SCUFF PLATE INSIDE LH

Click here [INFO](#)

26. REMOVE REAR UNDER SIDE COVER LH

Click here [INFO](#)

27. REMOVE REAR DOOR SCUFF PLATE INSIDE RH

(a) Use the same procedure as for the LH side.

28. REMOVE REAR UNDER SIDE COVER RH

(a) Use the same procedure as for the LH side.

29. REMOVE REAR UNDER COVER

Click here [INFO](#)

30. REMOVE REAR SEAT CUSHION LEG SUB-ASSEMBLY

Click here [INFO](#)

31. REMOVE NO. 1 HV BATTERY COVER PANEL RH



Click here [INFO](#)

32. DISCONNECT FLOOR UNDER WIRE



Click here [INFO](#)

33. DISCONNECT FLOOR WIRE



Click here [INFO](#)

34. REMOVE NO. 1 TRACTION BATTERY DEVICE BOX



CAUTION:

Be sure to wear insulated gloves.

