

<b>Last Modified:</b> 12-04-2024	6.11:8.1.0	<b>Doc ID:</b> RM10000002B7B8
<b>Model Year Start:</b> 2023	<b>Model:</b> Prius Prime	<b>Prod Date Range:</b> [03/2023 - ]
<b>Title:</b> HYBRID / BATTERY CONTROL: HV BATTERY (for PHEV Model): RECOVERY INSPECTION; 2023 - 2024 MY Prius Prime [03/2023 - ]		

**RECOVERY INSPECTION**

**CAUTION / NOTICE / HINT**

**CAUTION:**

- When disposing of an HV supply battery assembly, make sure to return it through an authorized collection agent who is capable of handling it safely. If the HV supply battery assembly is returned via the manufacturer specified route, it will be returned properly and in a safe manner by an authorized collection agent.
- Before returning the HV supply battery assembly, make sure to perform a pre-return inspection.
- Accidents such as electric shock may result if an HV supply stack sub-assembly is discharged improperly and disposed or abandoned.

Therefore, make sure to return all HV batteries through an authorized collection agent.

- To reduce the risk of fire, HV supply battery assembly must not be stored in an area where they will be exposed to fire or high temperatures.
- If the temperature of the HV supply battery assembly is high, leave it to cool down.

**HINT:**

In order to return the HV supply battery assembly in a safe manner, it may be necessary to discharge it. The following pre-return inspection procedure can be used to determine whether or not it is necessary to discharge the HV supply battery assembly the method that may be required.

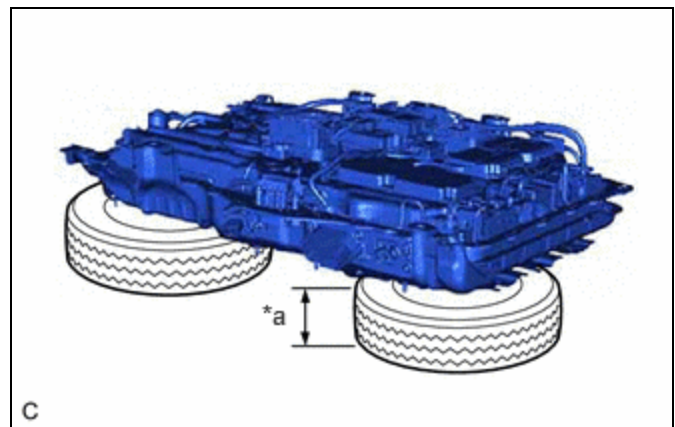
**PROCEDURE**

**1. INSPECT FOR ELECTROLYTE LEAK**

**CAUTION:**

Be sure to wear insulated gloves and protective goggles.

(a) Position the HV supply battery assembly as shown in the illustration and leave it for 5 minutes.



*a	155 mm (6.10 in.) or more
----	---------------------------

(b) Check that no electrolyte is leaking from the HV supply battery assembly.

OK:

There is no electrolyte leaking from the HV supply battery assembly.

**CAUTION:**

- Perform this procedure in an area where the battery will not be exposed to fire.
- Do not touch the HV supply battery assembly, unless absolutely necessary, as electrolyte may be leaking.

**NOTICE:**

If there is an electrolyte leak, make sure to wear insulated gloves and goggles and clean it using a piece of cloth. Do not leave electrolyte-contaminated cloths unattended. Dispose of them according to law or local regulations.

**NG**  **DISCHARGING**

**OK**



<b>2.</b>	<b>CHECK FOR DTCS</b>
-----------	-----------------------

(a) Check the previously recorded DTCs which resulted in replacement of the HV supply battery assembly.

RESULT	PROCEED TO
DTC record not available.	A
The HV supply battery assembly was replaced due to a reason other than the DTCs listed in the following table.	B
The HV supply battery assembly was replaced due to one of the DTCs listed in the following table.	C

DTC NO.
P1A6017
P1A6317
P1A6617
P31AA17
P0C3000
P31B300
P1C7D49

**B**  **GO TO STEP 5**

**C**  **DISCHARGING**

**A**  
▼

**3. CHECK HV SUPPLY BATTERY ASSEMBLY VOLTAGE**

**CAUTION:**

Be sure to wear insulated gloves.

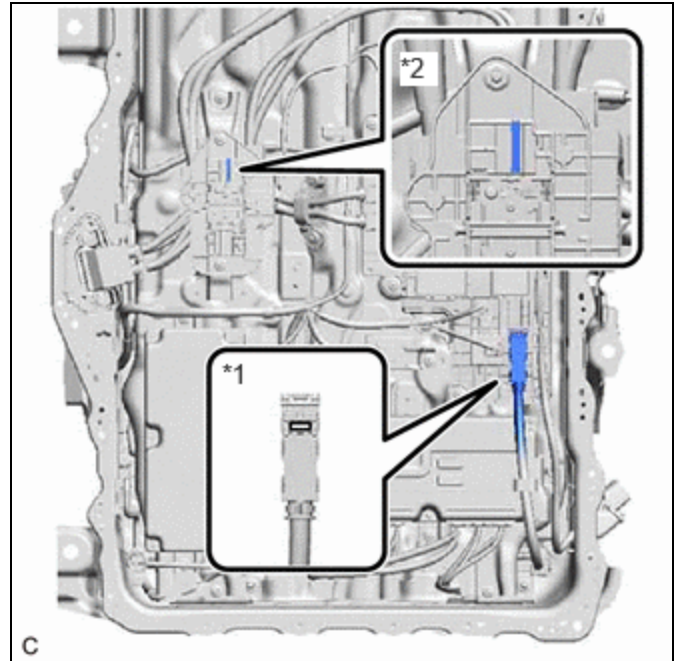
(a) Measure the voltage according to the value(s) in the table below.

Standard Voltage:

TESTER CONNECTION	CONDITION	SPECIFIED CONDITION
A - B	Always	Below 226.4 V

**CAUTION:**

Make sure not to cross the probes of the electrical tester.



*1	HV Battery Main Cable (A)
*2	HV Battery Main Cable (B)

**NG** ▶ **DISCHARGING**

**OK**  
▼

**4. INSULATION INSPECTION OF HV SUPPLY BATTERY ASSEMBLY**

**CAUTION:**

Be sure to wear insulated gloves.

(a) Using a megohmmeter set to 500 V, measure the insulation resistance according to the value(s) in

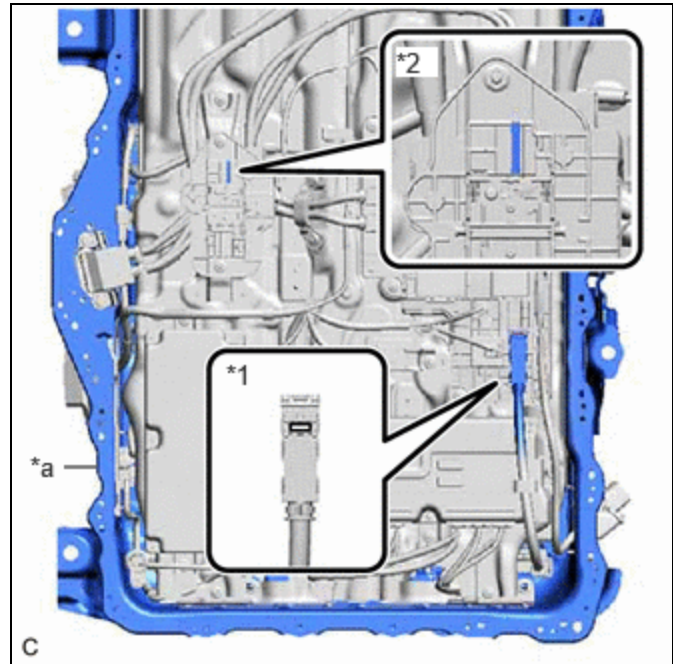
the table below.

**NOTICE:**

Be sure to set the megohmmeter to 500 V when performing this test. Using a setting higher than 500 V can result in damage to the component being inspected.

Standard Resistance:

TESTER CONNECTION	CONDITION	SPECIFIED CONDITION
A - Battery Outer Case	Always	1 MΩ or higher
B - Battery Outer Case	Always	1 MΩ or higher



*1	HV Battery Main Cable (A)
*2	HV Battery Main Cable (B)
*a	Battery Outer Case

**NG** ► DISCHARGING

**OK**



<b>5.</b>	<b>HV SUPPLY BATTERY ASSEMBLY VISUAL CHECK</b>
-----------	--

**CAUTION:**

Be sure to wear insulated gloves.

(a) Check that the HV supply battery assembly is not deformed or damaged.

OK:

The HV supply battery assembly is not deformed or damaged.

**OK** ► RETURN HV SUPPLY BATTERY ASSEMBLY

**NG** ► DISCHARGING

