

Last Modified: 12-04-2024	6.11:8.1.0	Doc ID: RM100000002B7B0
Model Year Start: 2023	Model: Prius Prime	Prod Date Range: [03/2023 -]
Title: HYBRID / BATTERY CONTROL: COOLER (for PHEV Model): REMOVAL; 2023 - 2024 MY Prius Prime [03/2023 -]		

REMOVAL

CAUTION / NOTICE / HINT

The necessary procedures (adjustment, calibration, initialization or registration) that must be performed after parts are removed and installed, or replaced during No. 1 traction battery cooler conductor removal/installation are shown below.

CAUTION:

- Orange wire harnesses and connectors indicate high-voltage circuits. To prevent electric shock, always follow



the procedure described in the repair manual.

Click here [INFO](#)

- To prevent electric shock, wear insulated gloves when working on wire harnesses and components of the high



voltage system.

NOTICE:

After turning the ignition switch off, waiting time may be required before disconnecting the cable from the negative (-) auxiliary battery terminal.

Click here [INFO](#)

HINT:

When the cable is disconnected / reconnected to the auxiliary battery terminal, systems temporarily stop operating. However, each system has a function that completes learning the first time the system is used.

Items for which learning is completed by driving the vehicle

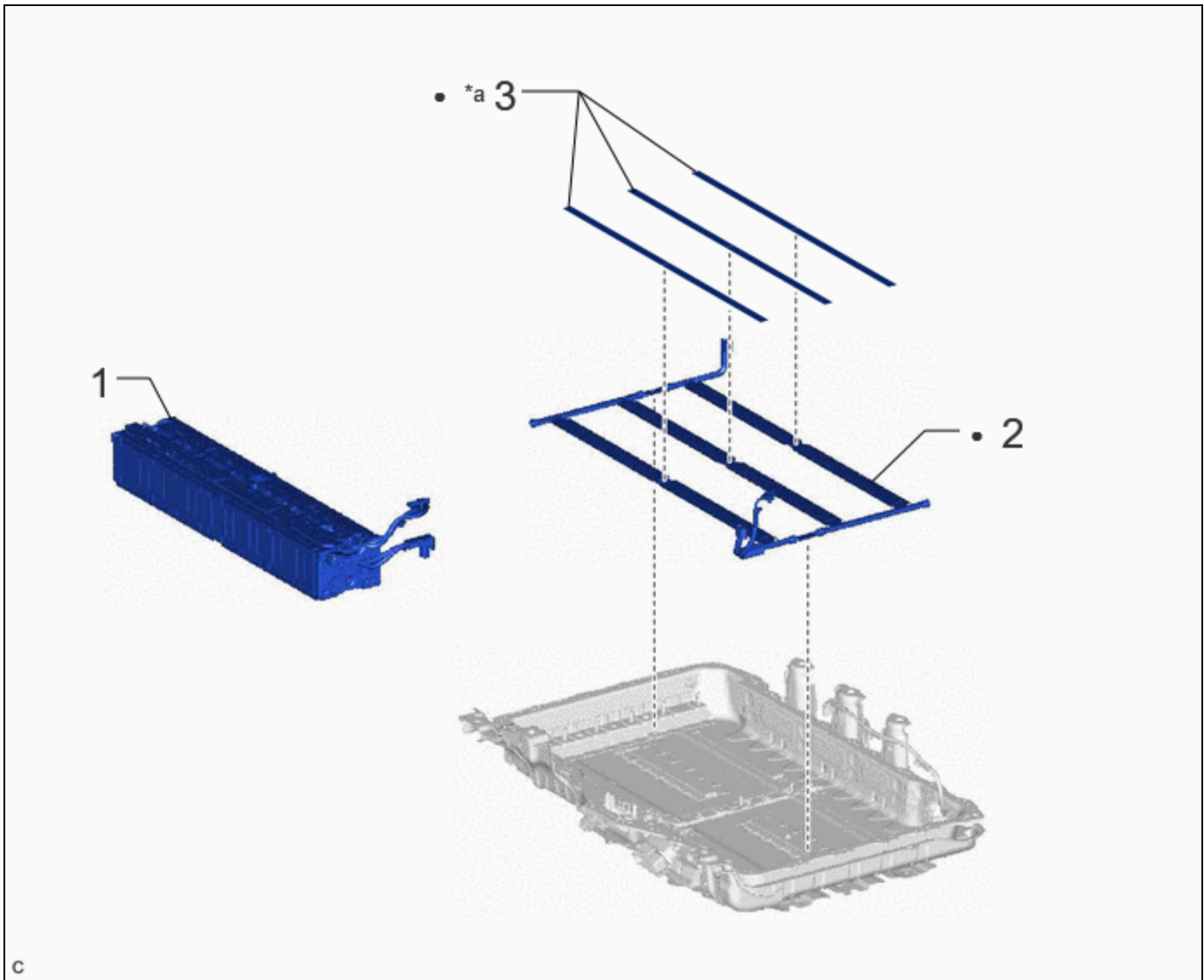
EFFECT/INOPERATIVE FUNCTION WHEN NECESSARY PROCEDURE NOT PERFORMED	NECESSARY PROCEDURE	LINK
Front Camera System	Drive the vehicle straight ahead at 35 km/h (22 mph) or more for 5 seconds or more.	INFO

Items for which learning is completed by operating the vehicle normally

EFFECT/INOPERATIVE FUNCTION WHEN NECESSARY PROCEDURE NOT PERFORMED	NECESSARY PROCEDURE	LINK
Power Door Lock Control System*1 <ul style="list-style-type: none"> Back door opener 	Perform door unlock operation with door control switch or electrical key transmitter sub-assembly switch.	INFO
Power Back Door System*2	Reset back door close position	INFO
Air Conditioning System	After the ignition switch is turned to ON, the servo motor and expansion valve standard position is recognized.	-
*1: w/o Power Back Door System		
*2: w/ Power Back Door System		

CAUTION / NOTICE / HINT

COMPONENTS (REMOVAL)



PROCEDURE		PART NAME CODE			
1	HV SUPPLY STACK SUB-ASSEMBLY	-	-	-	-
2	NO. 1 TRACTION BATTERY COOLER CONDUCTOR	-	-	-	-
3	NO. 1 TRACTION BATTERY COOLER SHEET	G96NA	-	-	-

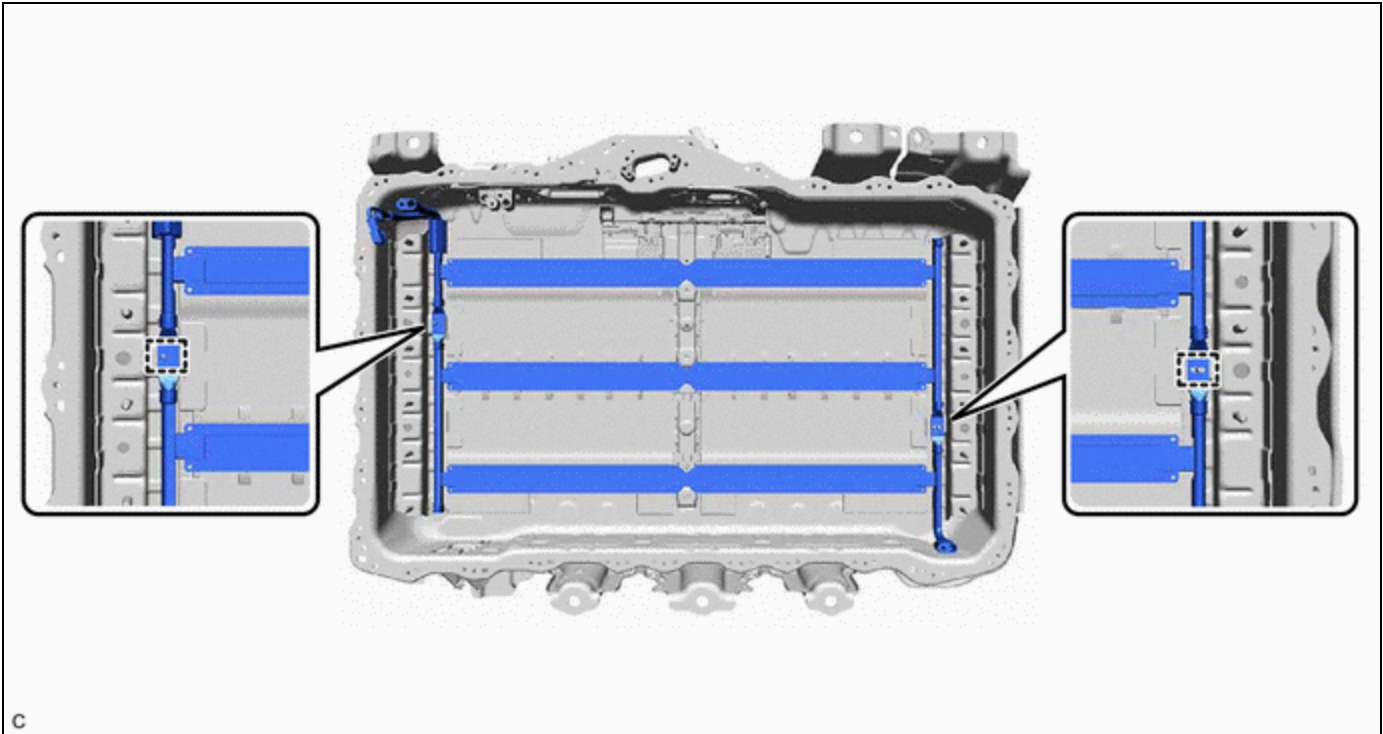
*a	Parts requiring replacement with new ones when replacing the No. 1 traction battery cooler conductor	-	-
•	Non-reusable part		Compressor oil ND-OIL 11 or equivalent

PROCEDURE

1. REMOVE HV SUPPLY STACK SUB-ASSEMBLY

Click here [INFO](#)

2. REMOVE NO. 1 TRACTION BATTERY COOLER CONDUCTOR



3. REMOVE NO. 1 TRACTION BATTERY COOLER SHEET

