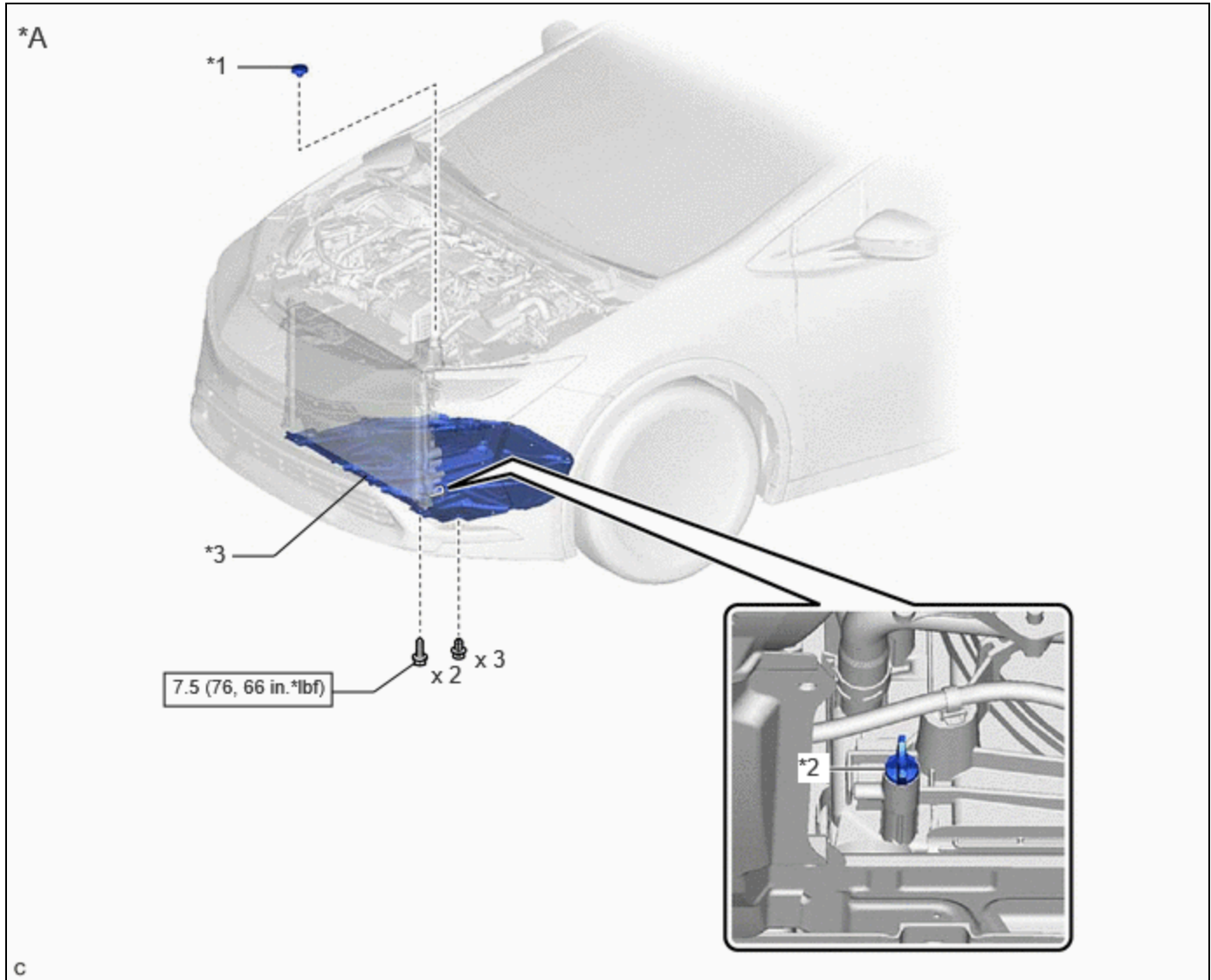
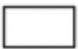


<b>Last Modified:</b> 12-04-2024	6.11:8.1.0	<b>Doc ID:</b> RM100000029QWN
<b>Model Year Start:</b> 2023	<b>Model:</b> Prius Prime	<b>Prod Date Range:</b> [12/2022 - ]
<b>Title:</b> HYBRID / BATTERY CONTROL: COOLANT (for Inverter): COMPONENTS; 2023 - 2024 MY Prius Prius Prime [12/2022 - ]		

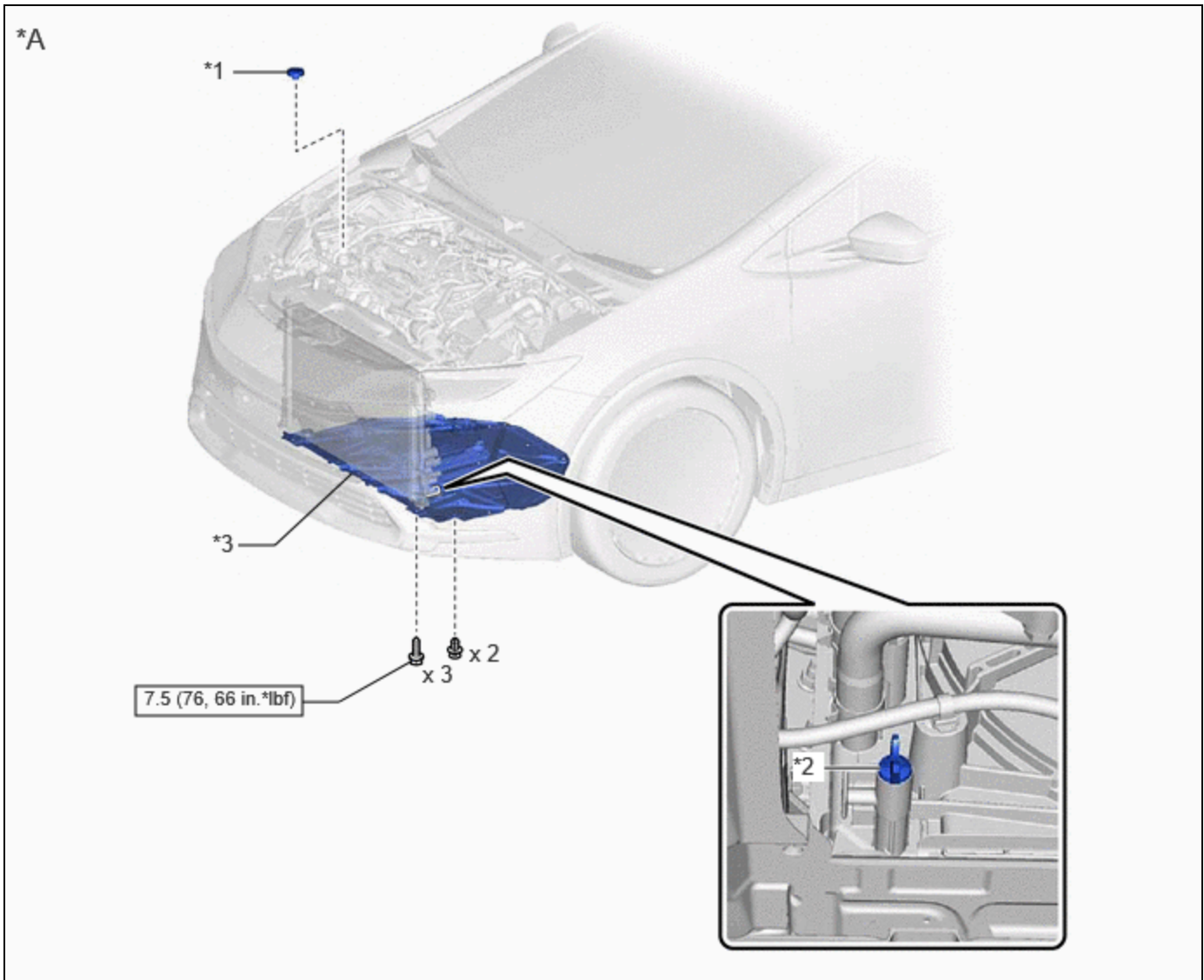
## COMPONENTS

## ILLUSTRATION



*A	for 2ZR-FXE	-	-
*1	RESERVE TANK CAP	*2	DRAIN COCK PLUG
*3	NO. 1 ENGINE UNDER COVER ASSEMBLY	-	-
	N*m (kgf*cm, ft.*lbf): Specified torque	-	-

## ILLUSTRATION



*A	for M20A-FXS	-	-
*1	RESERVE TANK CAP	*2	DRAIN COCK PLUG
*3	NO. 1 ENGINE UNDER COVER ASSEMBLY	-	-
<input type="checkbox"/>	N*m (kgf*cm, ft.*lbf): Specified torque	-	-

