

Last Modified: 12-04-2024	6.11:8.1.0	Doc ID: RM1000000029ITD
Model Year Start: 2023	Model: Prius Prime	Prod Date Range: [12/2022 -]
Title: M20A-FXS (COOLING): THERMOSTAT: INSPECTION; 2023 - 2024 MY Prius Prius Prime [12/2022 -]		

INSPECTION

PROCEDURE

1. INSPECT WATER INLET WITH THERMOSTAT SUB-ASSEMBLY

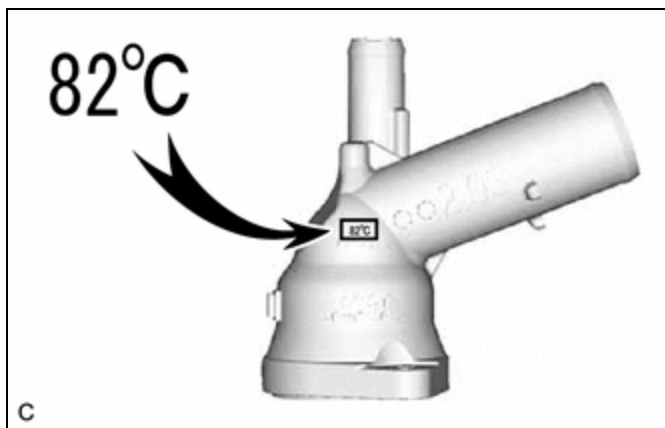
CAUTION:

- Do not put your hands into the water that has been heated for the inspection.
- Touching the heated water could result in burns.



HINT:

The valve opening temperature is inscribed on the water inlet with thermostat sub-assembly.



Pre-procedure1

- (a) Immerse the water inlet with thermostat sub-assembly in water and then gradually heat the water.

NOTICE:

Do not allow any water to come into contact with the connector of the water inlet with thermostat sub-assembly.

Procedure1

- (b) Check that the valve of the water inlet with thermostat sub-assembly opens at the specified temperature.

Standard Valve Opening Temperature:

SPECIFIED CONDITION	RESULT
80 to 84 °C	°C
176 to 183 °F	°F

If the result is not as specified, replace the water inlet with thermostat sub-assembly.

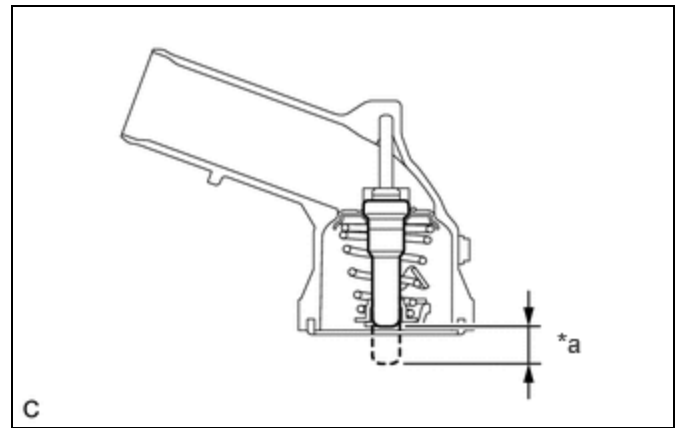
Procedure2

(c) Check the valve lift.

Standard Valve Lift:

CONDITION	SPECIFIED CONDITION	RESULT
95°C (203°F)	8 mm or higher 0.315 in. or higher	mm in.

If the result is not as specified, replace the water inlet with thermostat sub-assembly.



*a	Valve Lift
----	------------

Procedure3

(d) Check that the valve is fully closed when the water inlet with thermostat sub-assembly is at low temperatures (below 72°C (162°F)).

If it is not fully closed, replace the water inlet with thermostat sub-assembly.

Post-procedure1

(e) None

