

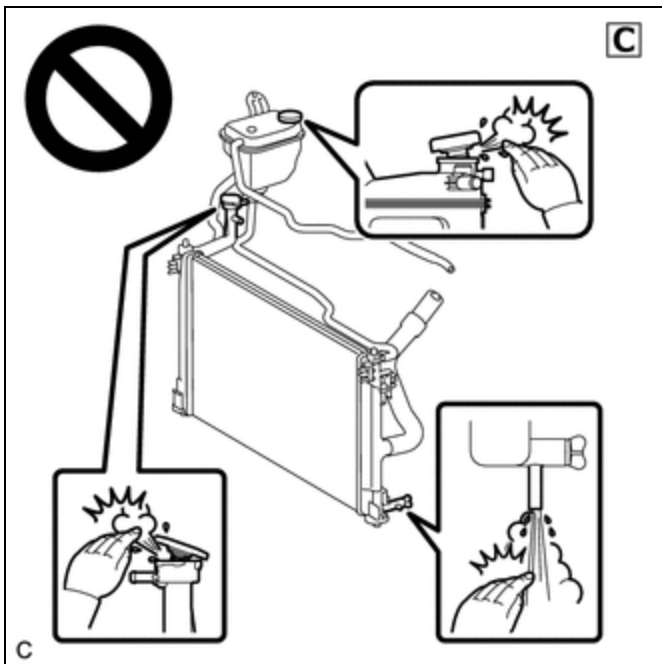
Last Modified: 12-04-2024	6.11:8.1.0	Doc ID: RM10000002B2JN
Model Year Start: 2023	Model: Prius Prime	Prod Date Range: [03/2023 -]
Title: M20A-FXS (COOLING): RADIATOR (for PHEV Model): ON-VEHICLE INSPECTION; 2023 - 2024 MY Prius Prime [03/2023 -]		

ON-VEHICLE INSPECTION

CAUTION / NOTICE / HINT

CAUTION:

Do not remove the reserve tank cap, radiator cap sub-assembly or radiator drain cock plug while the engine and radiator assembly are still hot. Pressurized, hot engine coolant and steam may be released and cause serious burns.



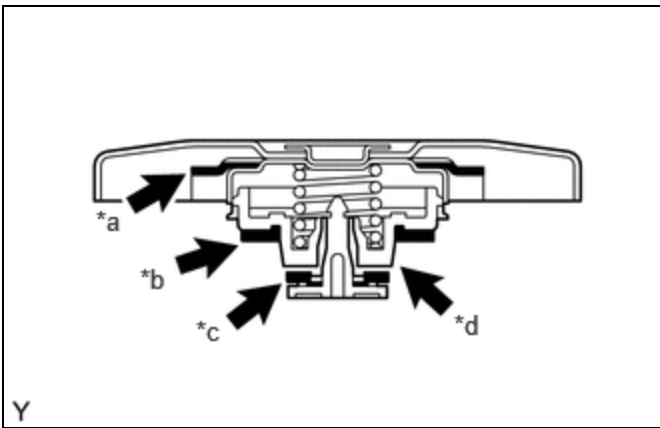
PROCEDURE

1. INSPECT RADIATOR CAP SUB-ASSEMBLY

CAUTION:

Do not remove the radiator cap sub-assembly while the engine and radiator assembly are still hot. Pressurized, hot engine coolant and steam may be released and cause serious burns.

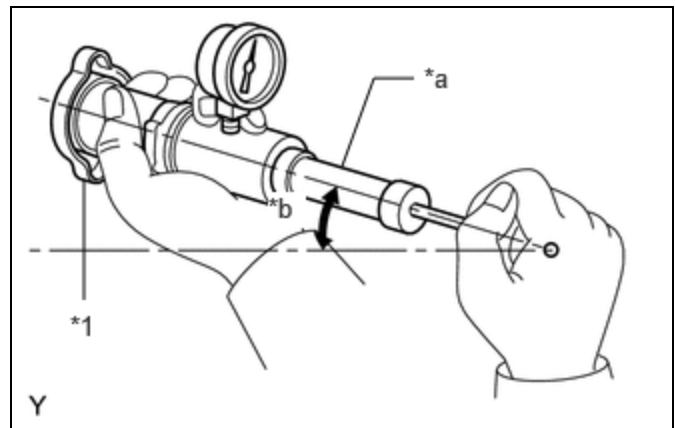
- (a) Measure the valve opening pressure.



*a	Rubber Packing (1)
*b	Rubber Packing (2)
*c	Rubber Packing (3)
*d	Valve Seat

- (1) If there are water stains or foreign matter on the rubber packings (1), (2) or (3), clean the part(s) with water and finger scouring.
- (2) Check that the rubber packings (1), (2) and (3) are not deformed, cracked or swollen.
- (3) Check that the rubber packing (3) and valve seat are not stuck together.
- (4) Apply engine coolant to the rubber packings (2) and (3) before using a radiator cap tester.
- (5) Install the radiator cap tester to the radiator cap sub-assembly.

(6) When using the radiator cap tester, tilt it upward 30° or more.



*1	Radiator Cap Sub-assembly
*a	Radiator Cap Tester
*b	30° or more

(7) Pump the radiator cap tester several times, and check the maximum pressure.

Pumping Speed:
1 pump per second

ITEM	SPECIFIED CONDITION	RESULT
Standard pressure (for brand-new radiator cap sub-assembly)	74 to 103 kPa 0.8 to 1.1 kgf/cm ² 10.7 to 14.9 psi	kPa kgf/cm ² psi
Minimum pressure (for used radiator cap sub-assembly)	59 kPa 0.6 kgf/cm ² 8.6 psi	kPa kgf/cm ² psi

HINT:

Even if the radiator cap sub-assembly cannot maintain the maximum pressure, it is not a defect.

If the maximum pressure is less than the minimum pressure, replace the radiator cap sub-assembly.

2. CHECK RADIATOR ASSEMBLY FOR CLOGGING**CAUTION:**

To prevent burns, do not touch the engine or other high temperature components while the engine is hot.

Pre-procedure1

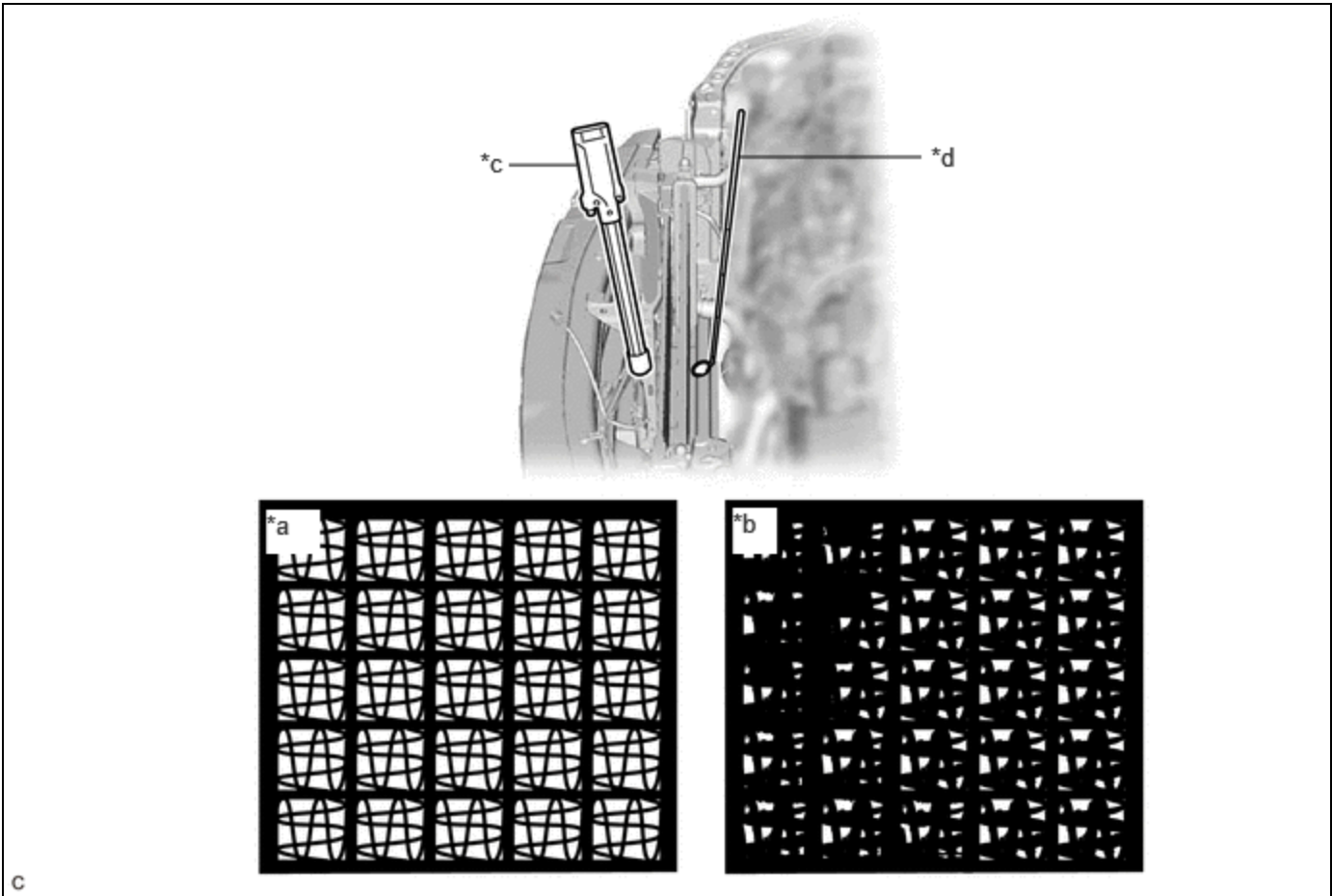
- (a) Remove the fan with motor assembly.

HINT:

[Click here](#) 

Procedure1

- (b) Shine an electric light at the radiator assembly and cooler condenser assembly from the front of the cooler condenser assembly and check the radiator assembly for clogging using a mirror.



*a	OK	*b	NG
*c	Electric Light	*d	Mirror

OK:

The radiator assembly is not clogged.

If the radiator assembly is clogged, clean it.

Post-procedure1

(c) Install the fan with motor assembly.

HINT:

[Click here](#) **INFO**

3. CLEAN RADIATOR ASSEMBLY

CAUTION:

To prevent burns, do not touch the engine or other high temperature components while the engine is hot.

Pre-procedure1

(a) Remove the fan with motor assembly.

HINT:

[Click here](#) **INFO**

(b) Cover the opening of each air duct with a piece of cloth.

Procedure1

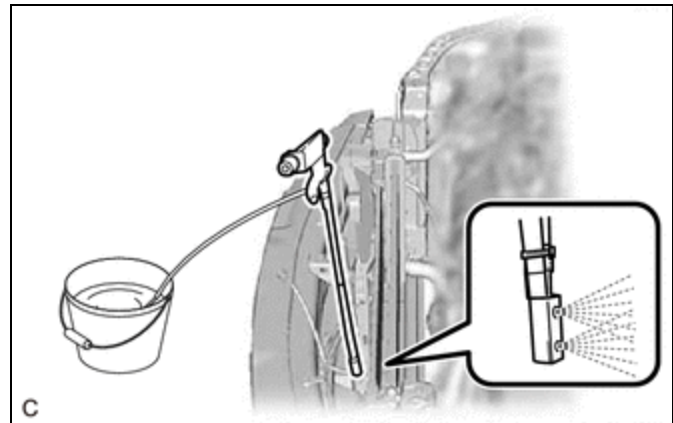
(c) Clean the cooler condenser assembly.

(1) Check that the washer nozzle is not clogged.

(2) Insert the washer nozzle into the space in front of the cooler condenser assembly and spray it.

NOTICE:

- Clean the fins of the cooler condenser assembly by spraying the entire area for 150 seconds. Repeat this process twice.
- Set the air pressure to 0.4 MPa (4.1 kgf/cm², 58 psi).
- Check that water sprays in mist form from the washer nozzle.
- Keep the washer nozzle parallel to the cooler condenser assembly.
- Do not allow the washer nozzle to contact the fins of the cooler condenser assembly.
- Keep the washer nozzle moving while spraying water.
- Do not spray the cooler compressor assembly or generator assembly excessively.



(3) Leave the cooler condenser assembly as is for 10 minutes to let the water penetrate the dirt.

(4) Clean the cooler condenser assembly again.

NOTICE:

- Clean the fins of the cooler condenser assembly by spraying the entire area for 150 seconds. Repeat this process 4 times.
- Set the air pressure to 0.4 MPa (4.1 kgf/cm², 58 psi).
- Check that water sprays in mist form from the washer nozzle.
- Keep the washer nozzle parallel to the cooler condenser assembly.
- Do not allow the washer nozzle to contact the fins of the cooler condenser assembly.
- Keep the washer nozzle moving while spraying water.
- Do not spray the cooler compressor assembly or generator assembly excessively.

(5) Using an air blow gun, dry the cooler condenser assembly for 3 minutes.

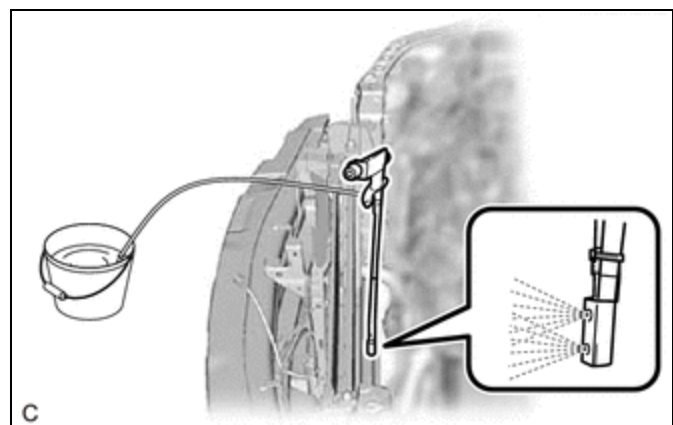
Procedure2

(d) Clean the radiator assembly.

(1) Insert the washer nozzle into the space in rear of the radiator assembly and spray it.

NOTICE:

- Clean the fins of the radiator assembly by spraying the entire area for 150 seconds. Repeat this process twice.
- Set the air pressure to 0.4 MPa (4.1 kgf/cm², 58 psi).
- Check that water sprays in mist form from the washer nozzle.
- Keep the washer nozzle parallel to the radiator assembly.
- Do not allow the washer nozzle to contact the fins of the radiator assembly.
- Keep the washer nozzle moving while spraying water.



- (2) Leave the radiator assembly as is for 10 minutes to let the water penetrate the dirt.
- (3) Clean the radiator assembly again.

NOTICE:

- Clean the fins of the radiator assembly by spraying the entire area for 150 seconds. Repeat this process 4 times.
 - Set the air pressure to 0.4 MPa (4.1 kgf/cm², 58 psi).
 - Check that water sprays in mist form from the washer nozzle.
 - Keep the washer nozzle parallel to the radiator assembly.
 - Do not allow the washer nozzle to contact the fins of the radiator assembly.
 - Keep the washer nozzle moving while spraying water.
- (4) Using an air blow gun, dry the radiator assembly for 3 minutes.

Procedure3

- (e) Check the fins of the radiator assembly for clogs again.

If the radiator assembly is clogged, clean the cooler condenser assembly and radiator assembly again.

Post-procedure1

- (f) Remove the piece of cloth from the opening of each air duct.
- (g) Install the fan with motor assembly.

HINT:

[Click here](#) 

