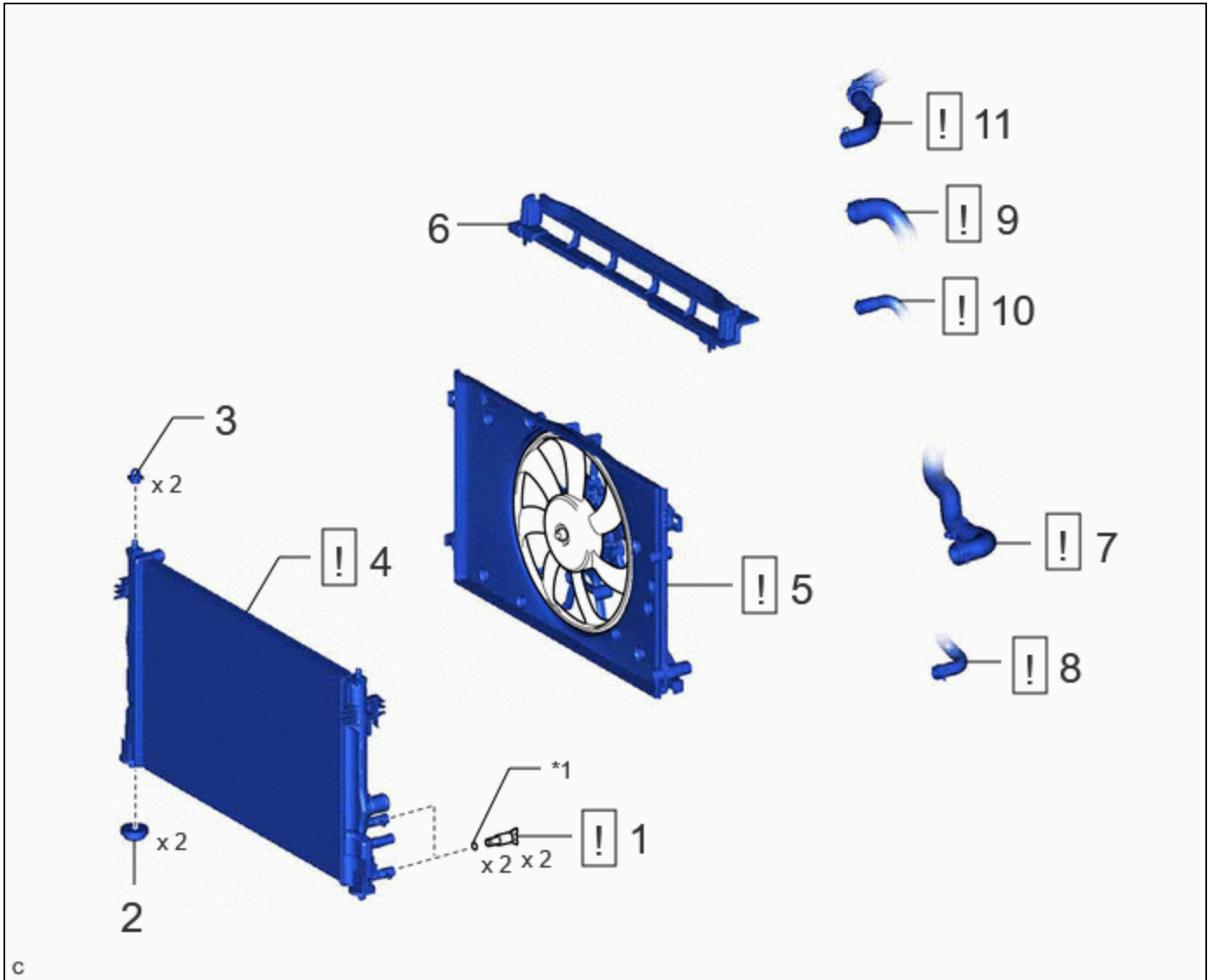


Last Modified: 12-04-2024	6.11:8.1.0	Doc ID: RM100000002B2JM
Model Year Start: 2023	Model: Prius Prime	Prod Date Range: [03/2023 -]
Title: M20A-FXS (COOLING): RADIATOR (for PHEV Model): INSTALLATION; 2023 - 2024 MY Prius Prime [03/2023 -]		




INSTALLATION

CAUTION / NOTICE / HINT

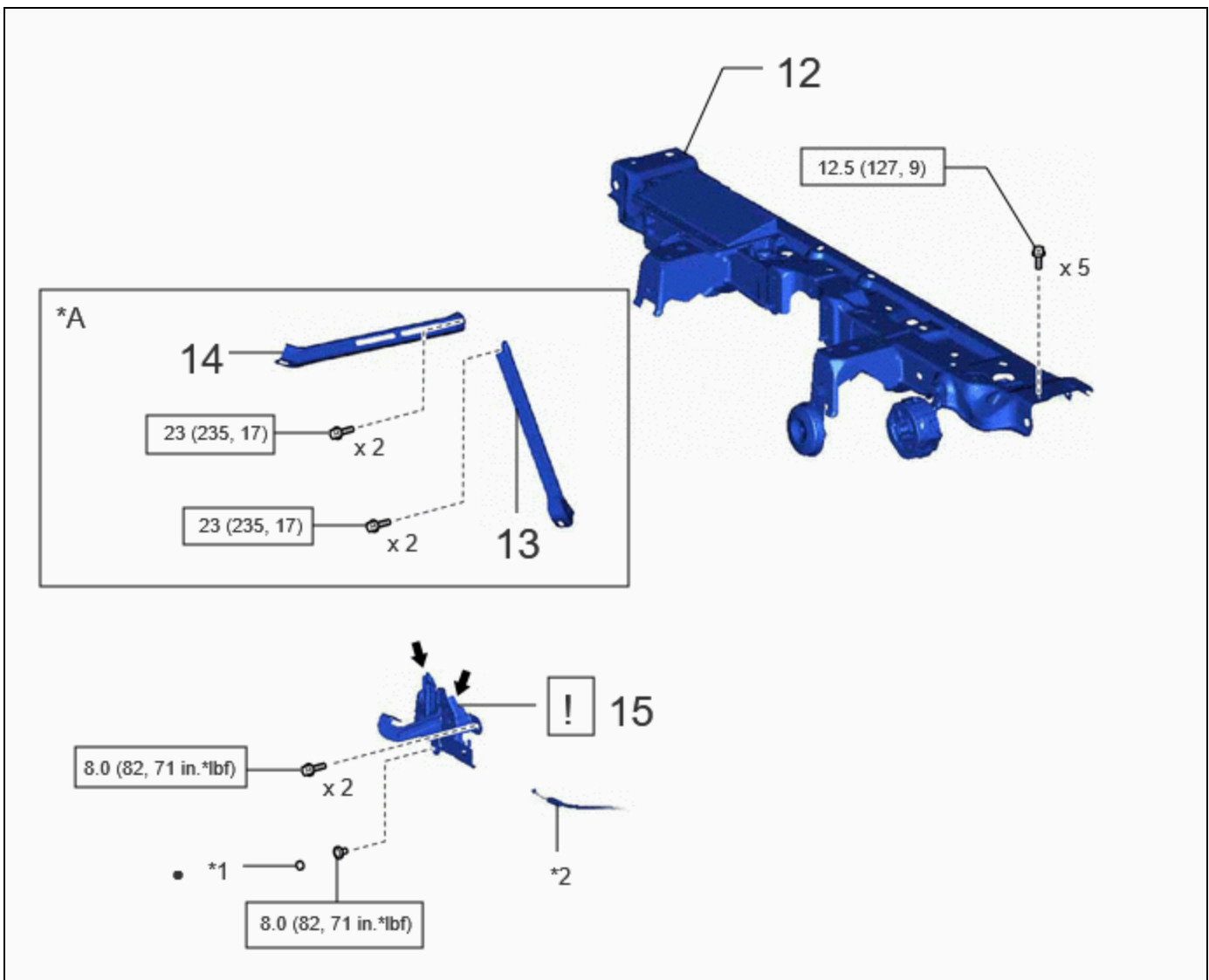
COMPONENTS (INSTALLATION)









PROCEDURE		PART NAME CODE	!	📄	⚙️
1	RADIATOR DRAIN COCK PLUG	16400B	INFO	-	-
2	RADIATOR SUPPORT GROMMET	16533C	-	-	-

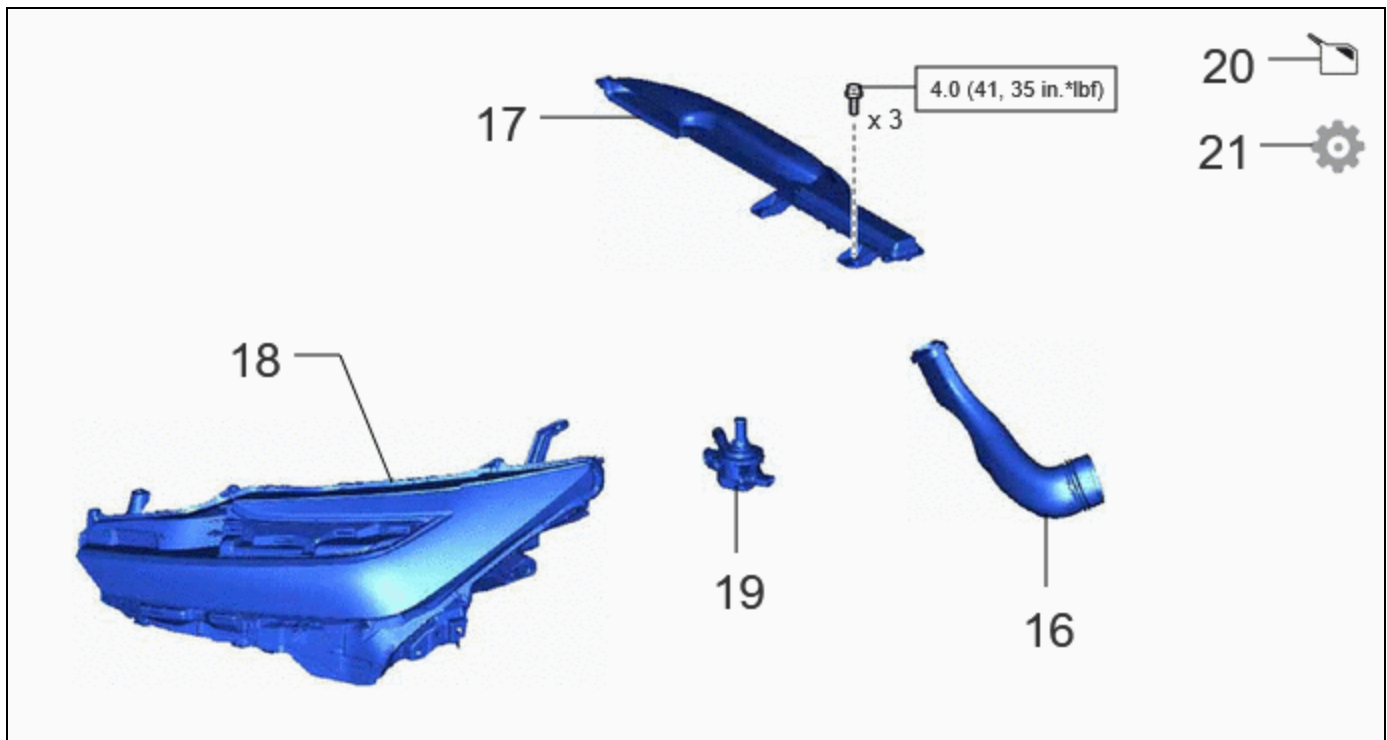
PROCEDURE	PART NAME CODE			
3 RADIATOR SUPPORT CUSHION	16523A	-	-	-
4 RADIATOR ASSEMBLY	16400	INFO	-	-
5 FAN WITH MOTOR ASSEMBLY	-	INFO	-	-
6 NO. 2 RADIATOR AIR GUIDE	16594A	-	-	-
7 NO. 1 RADIATOR HOSE	16571C	INFO	-	-
8 INLET NO. 1 INVERTER COOLING HOSE	G922AA	INFO	-	-
9 NO. 2 RADIATOR HOSE	16572D	INFO	-	-
10 INLET HYBRID RADIATOR HOSE	G922H	INFO	-	-
11 NO. 1 WATER BY-PASS HOSE	16261	INFO	-	-




*1	O-RING	-	-
----	--------	---	---






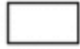
PROCEDURE		PART NAME CODE			
12	UPPER RADIATOR SUPPORT SUB-ASSEMBLY	53205	-	-	-
13	RADIATOR MOUNTING BRACKET UPPER LH	53254A	-	-	-
14	RADIATOR MOUNTING BRACKET UPPER RH	53253D	-	-	-
15	HOOD LOCK ASSEMBLY	53510		-	-

*A	w/ Bracket	-	-
*1	HOOD LOCK NUT CAP	*2	HOOD LOCK CONTROL CABLE ASSEMBLY
	N*m (kgf*cm, ft.*lbf): Specified torque	•	Non-reusable part
	MP grease	-	-



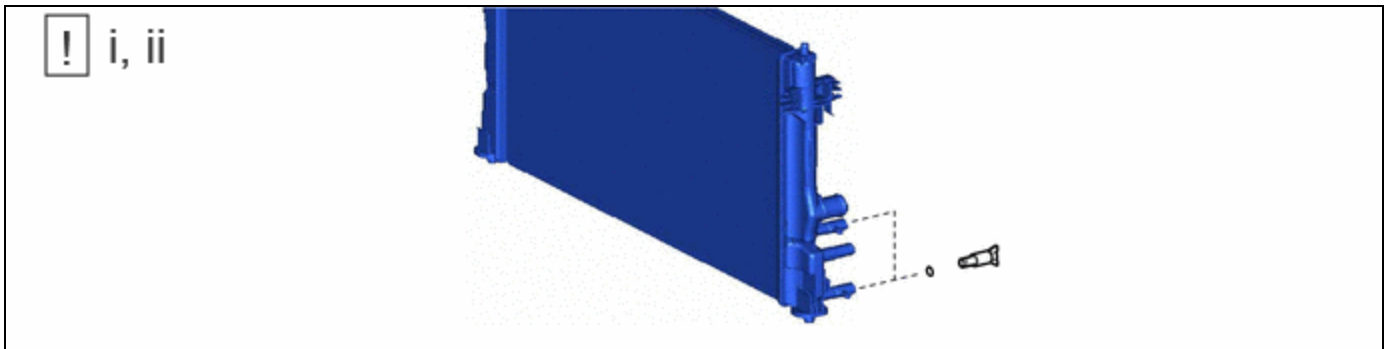
PROCEDURE		PART NAME CODE			
16	INLET NO. 2 AIR CLEANER	17752	-	-	-
17	INLET NO. 1 AIR CLEANER	17751	-	-	-
18	HEADLIGHT ASSEMBLY	-	-	-	-

PROCEDURE		PART NAME CODE			
19	INVERTER WATER PUMP WITH MOTOR ASSEMBLY	G9040	-	-	-
20	ADD ENGINE COOLANT (for Engine)	-	-	INFO	-
21	INSPECT FOR COOLANT LEAK (for Engine)	-	-	-	INFO

	N*m (kgf*cm, ft.*lbf): Specified torque	-	-
---	---	---	---

PROCEDURE

1. INSTALL RADIATOR DRAIN COCK PLUG



(1) Install the O-ring to each radiator drain cock plug.

NOTICE:

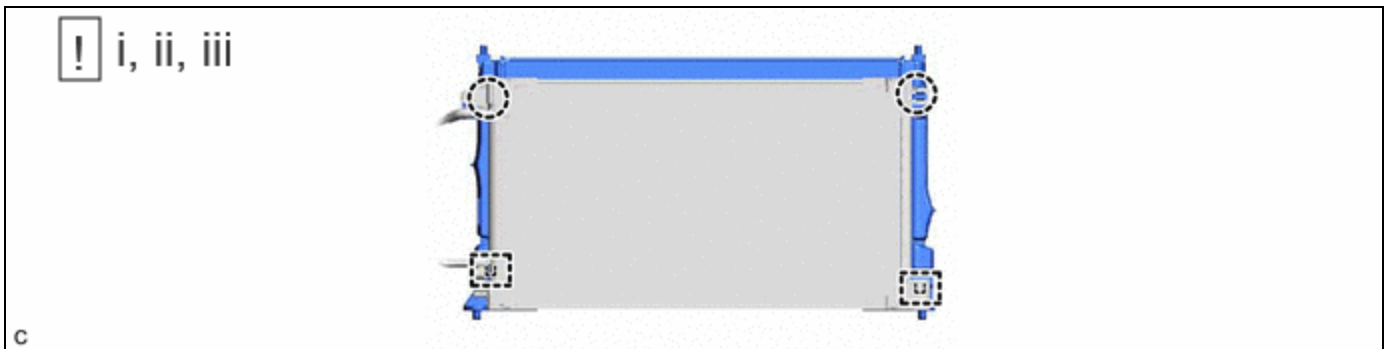
Replace the O-ring if it is damaged.

(2) Install the 2 radiator drain cock plugs.

2. INSTALL RADIATOR SUPPORT GROMMET

3. INSTALL RADIATOR SUPPORT CUSHION

4. INSTALL RADIATOR ASSEMBLY



(1) Install the radiator assembly to the vehicle body.

NOTICE:

Do not apply excessive force to the cooler condenser assembly or pipe when installing the radiator assembly.

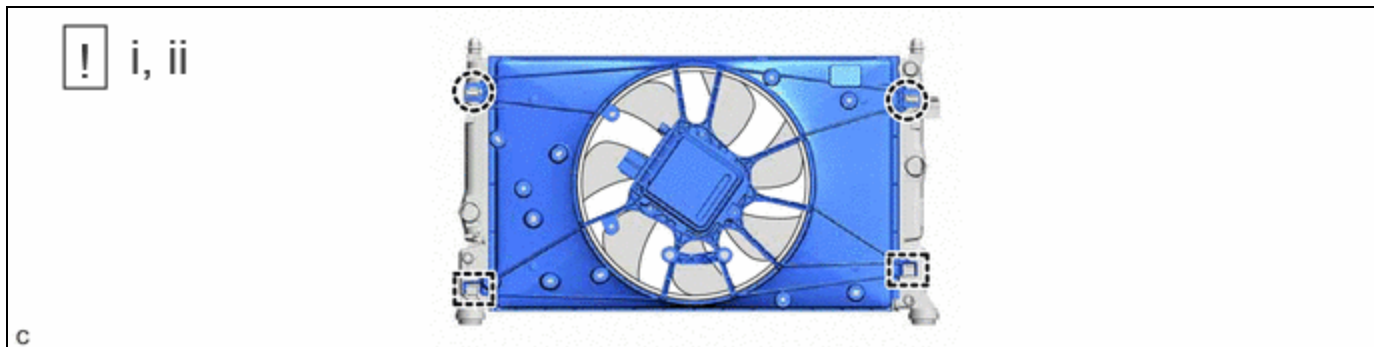
(2) Engage the 2 guides.

(3) Engage the 2 claws to install the cooler condenser assembly to the radiator assembly.

NOTICE:

Do not damage the cooler condenser assembly when installing the cooler condenser assembly.

5. INSTALL FAN WITH MOTOR ASSEMBLY

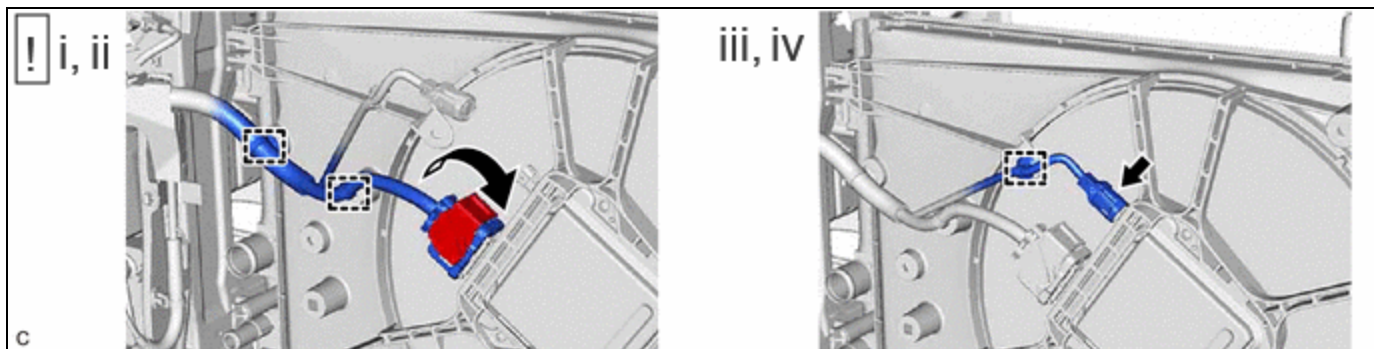
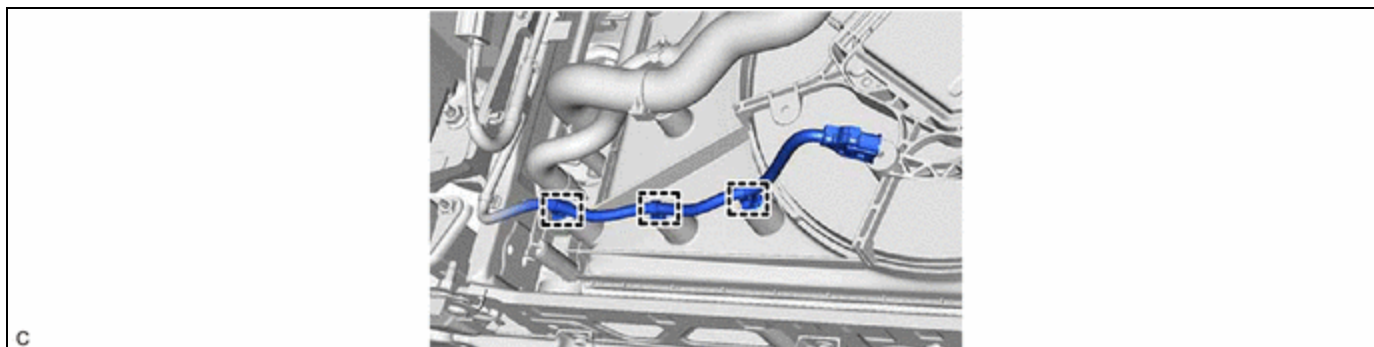


(1) Engage the 2 guides.

(2) Engage the 2 claws to install the fan with motor assembly to the radiator assembly.

NOTICE:

Do not damage the radiator assembly when installing the fan with motor assembly.



(1) Connect the cooling fan motor connector and rotate the lever to lock it.

NOTICE:

- When connecting the cooling fan motor connector, make sure that the connecting parts of the cooling fan motor connector are free of dirt, water or other foreign matter.
- Be sure to securely connect the cooling fan motor connector.

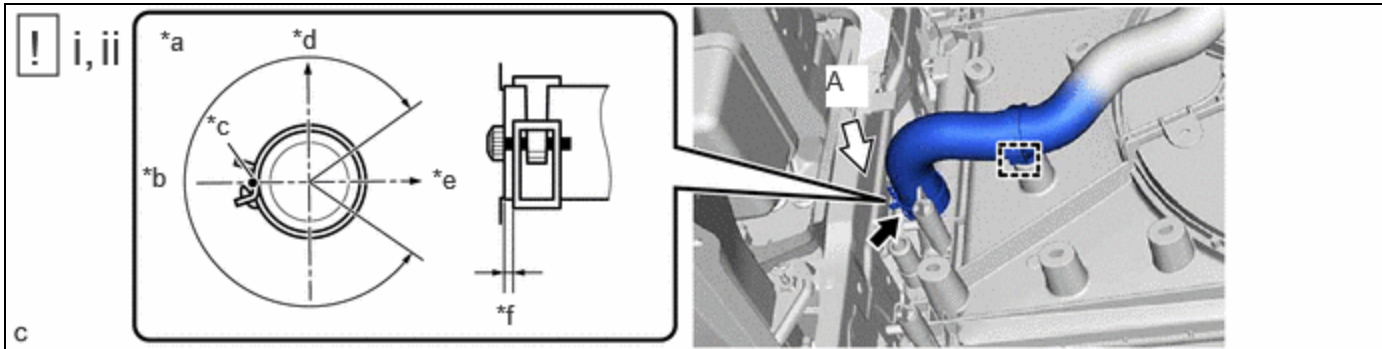
(2) Engage the 2 clamps to connect the wire harness to the fan with motor assembly.

(3) Connect the cooling fan motor connector.

(4) Engage the clamp to connect the wire harness to the fan with motor assembly.

6. INSTALL NO. 2 RADIATOR AIR GUIDE

7. CONNECT NO. 1 RADIATOR HOSE



*a	View A	*b	290° (Tabs of Clip Installation Area)
*c	Paint Mark	*d	Upper Side of Vehicle
*e	Right Side of Vehicle	*f	2 to 7 mm (0.0787 to 0.276 in.)

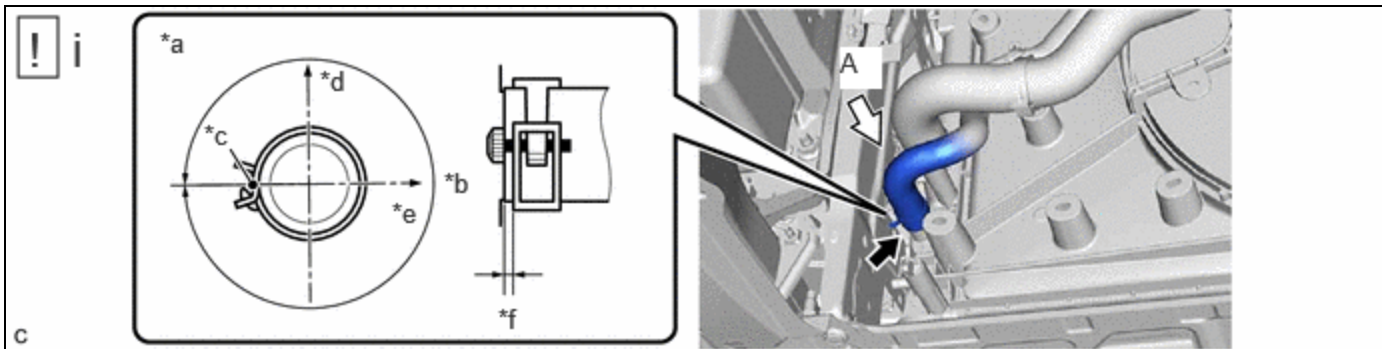
(1) Connect the No. 1 radiator hose to the radiator assembly and slide the clip to secure it.

NOTICE:

- Make sure to slide the No. 1 radiator hose until it contacts the hose stopper of the radiator assembly.
- Make sure that the tabs of the clip are within the area shown in the illustration.

(2) Engage the clamp to connect the No. 1 radiator hose to the fan with motor assembly.

8. CONNECT INLET NO. 1 INVERTER COOLING HOSE



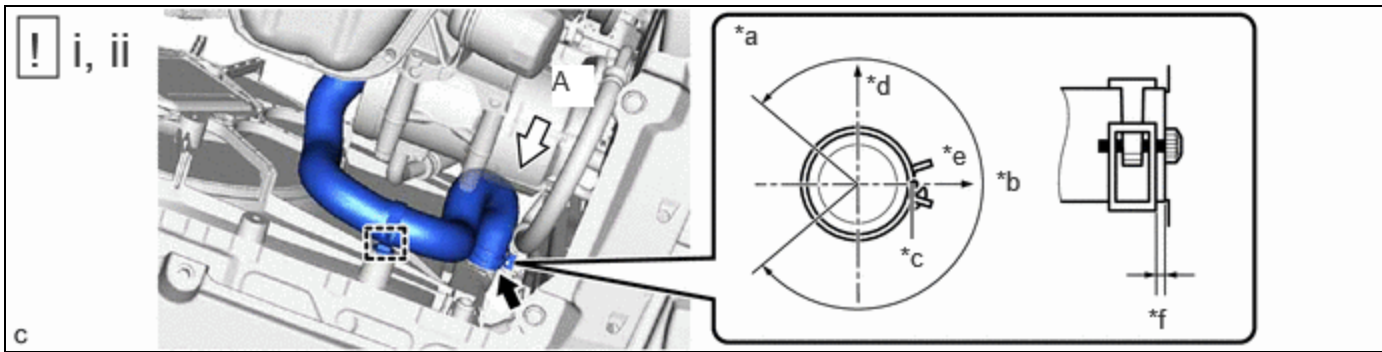
*a	View A	*b	360° (Tabs of Clip Installation Area)
*c	Paint Mark	*d	Upper Side of Vehicle
*e	Right Side of Vehicle	*f	2 to 11 mm (0.0787 to 0.433 in.)

(1) Connect the inlet No. 1 inverter cooling hose to the radiator assembly and slide the clip to secure it.

NOTICE:

- Make sure to slide the inlet No. 1 inverter cooling hose until it contacts the hose stopper of the radiator assembly.
- Make sure that the tabs of the clip are within the area shown in the illustration.

9. CONNECT NO. 2 RADIATOR HOSE



*a	View A	*b	280° (Tabs of Clip Installation Area)
*c	Paint Mark	*d	Upper Side of Vehicle
*e	Right Side of Vehicle	*f	2 to 7 mm (0.0787 to 0.276 in.)

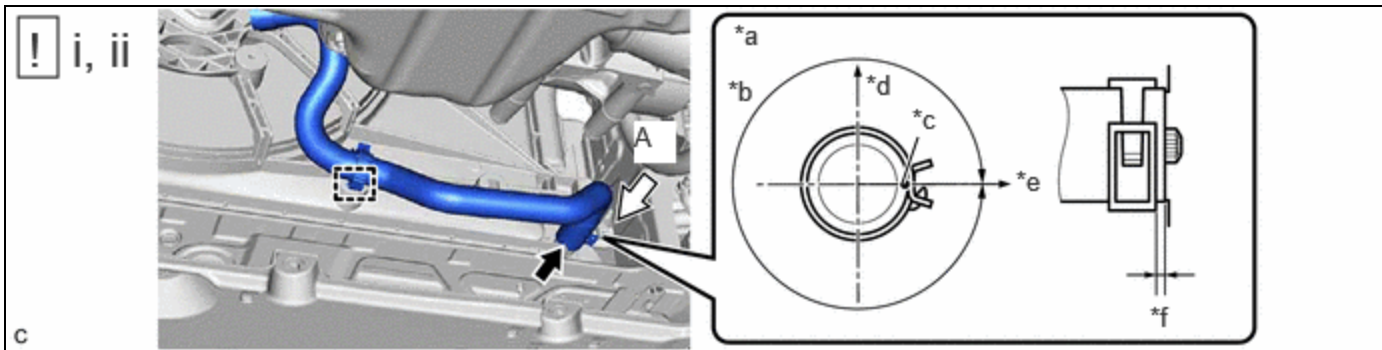
(1) Connect the No. 2 radiator hose to the radiator assembly and slide the clip to secure it.

NOTICE:

- Make sure to slide the No. 2 radiator hose until it contacts the hose stopper of the radiator assembly.
- Make sure that the tabs of the clip are within the area shown in the illustration.

(2) Engage the clamp to connect the No. 2 radiator hose to the fan with motor assembly.

10. CONNECT INLET HYBRID RADIATOR HOSE



*a	View A	*b	360° (Tabs of Clip Installation Area)
*c	Paint Mark	*d	Upper Side of Vehicle
*e	Right Side of Vehicle	*f	2 to 6 mm (0.0787 to 0.236 in.)

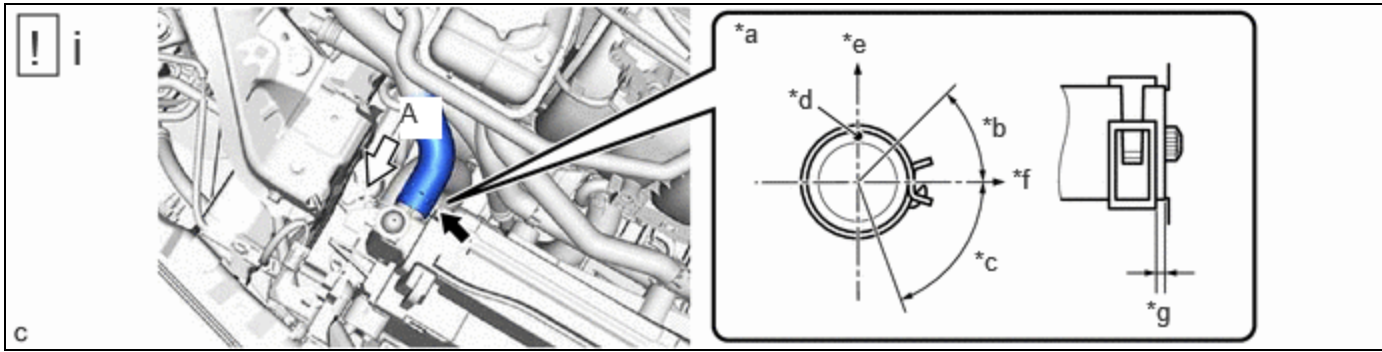
(1) Connect the inlet hybrid radiator hose to the radiator assembly and slide the clip to secure it.

NOTICE:

- Make sure to slide the inlet hybrid radiator hose until it contacts the hose stopper of the radiator assembly.
- Make sure that the tabs of the clip are within the area shown in the illustration.

(2) Engage the clamp to connect the inlet hybrid radiator hose to the fan with motor assembly.

11. CONNECT NO. 1 WATER BY-PASS HOSE



*a	View A	*b	45° (Tabs of Clip Installation Area)
*c	70° (Tabs of Clip Installation Area)	*d	Paint Mark
*e	Upper Side of Vehicle	*f	Right Side of Vehicle
*g	2 to 6 mm (0.0787 to 0.236 in.)	-	-

(1) Connect the No. 1 water by-pass hose to the radiator assembly and slide the clip to secure it.

NOTICE:

- Make sure to slide the No. 1 water by-pass hose until it contacts the hose stopper of the radiator assembly.
- Make sure that the tabs of the clip are within the area shown in the illustration.

12. INSTALL UPPER RADIATOR SUPPORT SUB-ASSEMBLY

Torque:

12.5 N·m {127 kgf·cm, 9 ft·lbf}


13. INSTALL RADIATOR MOUNTING BRACKET UPPER LH (w/ Bracket)

Click here [INFO](#)

14. INSTALL RADIATOR MOUNTING BRACKET UPPER RH (w/ Bracket)

Click here [INFO](#)

15. INSTALL HOOD LOCK ASSEMBLY

	Click here INFO
---	---------------------------------

16. INSTALL INLET NO. 2 AIR CLEANER

17. INSTALL INLET NO. 1 AIR CLEANER

Torque:

4.0 N·m {41 kgf·cm, 35 in·lbf}


18. INSTALL HEADLIGHT ASSEMBLY

Click here [INFO](#)

19. INSTALL INVERTER WATER PUMP WITH MOTOR ASSEMBLY

Click here [INFO](#)

20. ADD ENGINE COOLANT (for Engine)

Click here 

21. INSPECT FOR COOLANT LEAK (for Engine)

Click here 