

Last Modified: 12-04-2024	6.11:8.1.0	Doc ID: RM1000000028XBI
Model Year Start: 2023	Model: Prius Prime	Prod Date Range: [12/2022 -]
Title: M20A-FXS (STARTING): POWER SWITCH: INSPECTION; 2023 - 2024 MY Prius Prius Prime [12/2022 -]		

INSPECTION

PROCEDURE

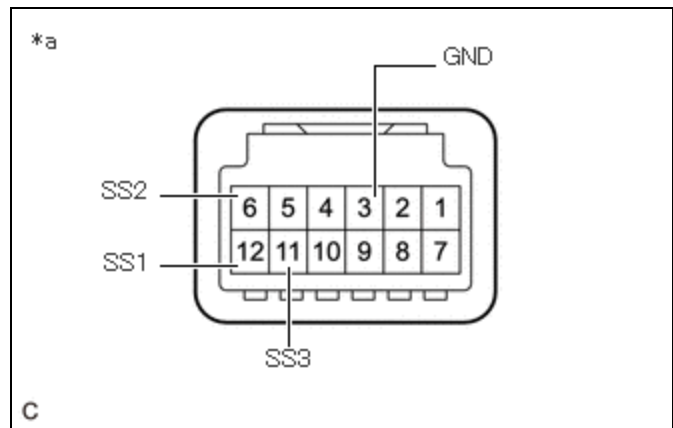
1. INSPECT POWER SWITCH

(a) Check the resistance.

(1) Measure the resistance according to the value(s) in the table below.

Standard Resistance:

TESTER CONNECTION	SWITCH CONDITION	SPECIFIED CONDITION	RESULT
12 (SS1) - 3 (GND) 6 (SS2) - 3 (GND) 11 (SS3) - 3 (GND)	Not pushed	10 kΩ or higher	kΩ
12 (SS1) - 3 (GND) 6 (SS2) - 3 (GND) 11 (SS3) - 3 (GND)	Pushed	Below 1 Ω	Ω



*a Component without harness connected (Power Switch)

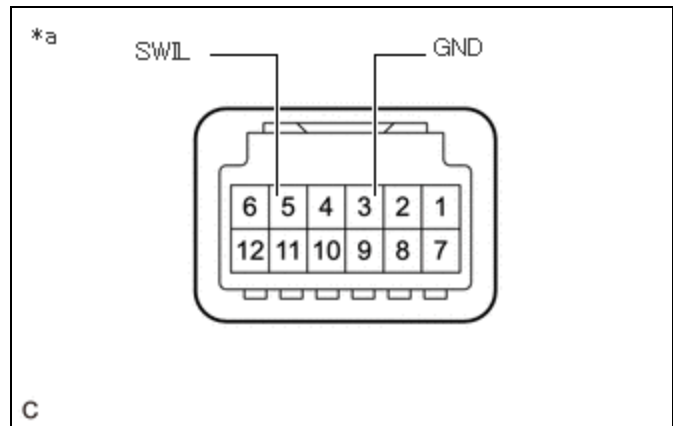
If the result is not as specified, replace the power switch.

(b) Check the LED illumination.

(1) Apply auxiliary battery voltage between the terminals of the power switch and check the illumination condition of the power switch indicator light.

OK:

CONDITION	SPECIFIED CONDITION
Auxiliary battery positive (+) → Terminal 5 (SWIL) Auxiliary battery negative (-) → Terminal 3 (GND)	Illuminates



*a Component without harness connected

If the result is not as specified, replace the power switch.

	(Power Switch)
--	----------------

