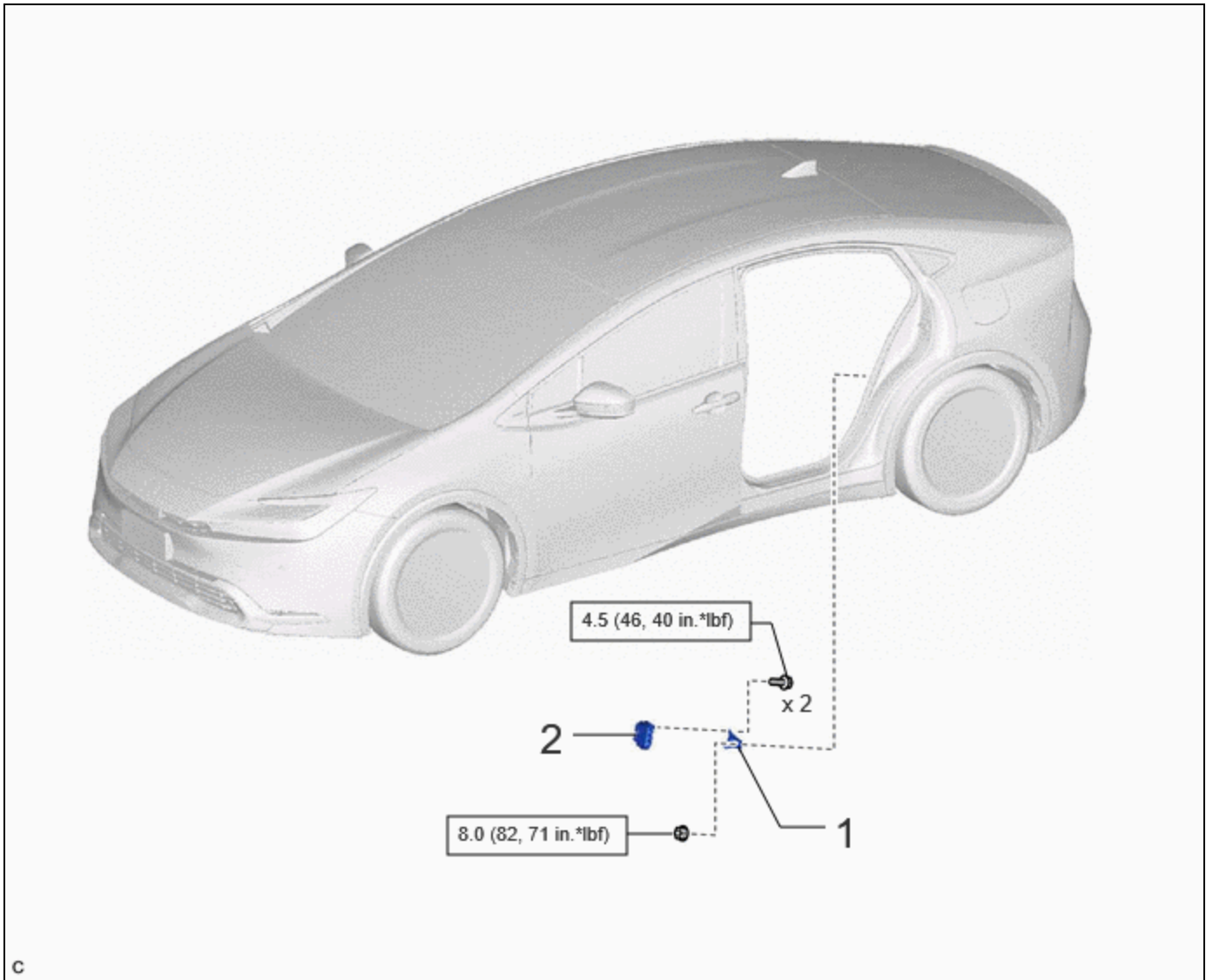


Last Modified: 12-04-2024	6.11:8.1.0	Doc ID: RM1000000029ZXQ
Model Year Start: 2023	Model: Prius Prime	Prod Date Range: [12/2022 -]
Title: M20A-FXS (FUEL): FUEL PUMP ECU: INSTALLATION; 2023 - 2024 MY Prius Prius Prime [12/2022 -]		

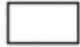
INSTALLATION

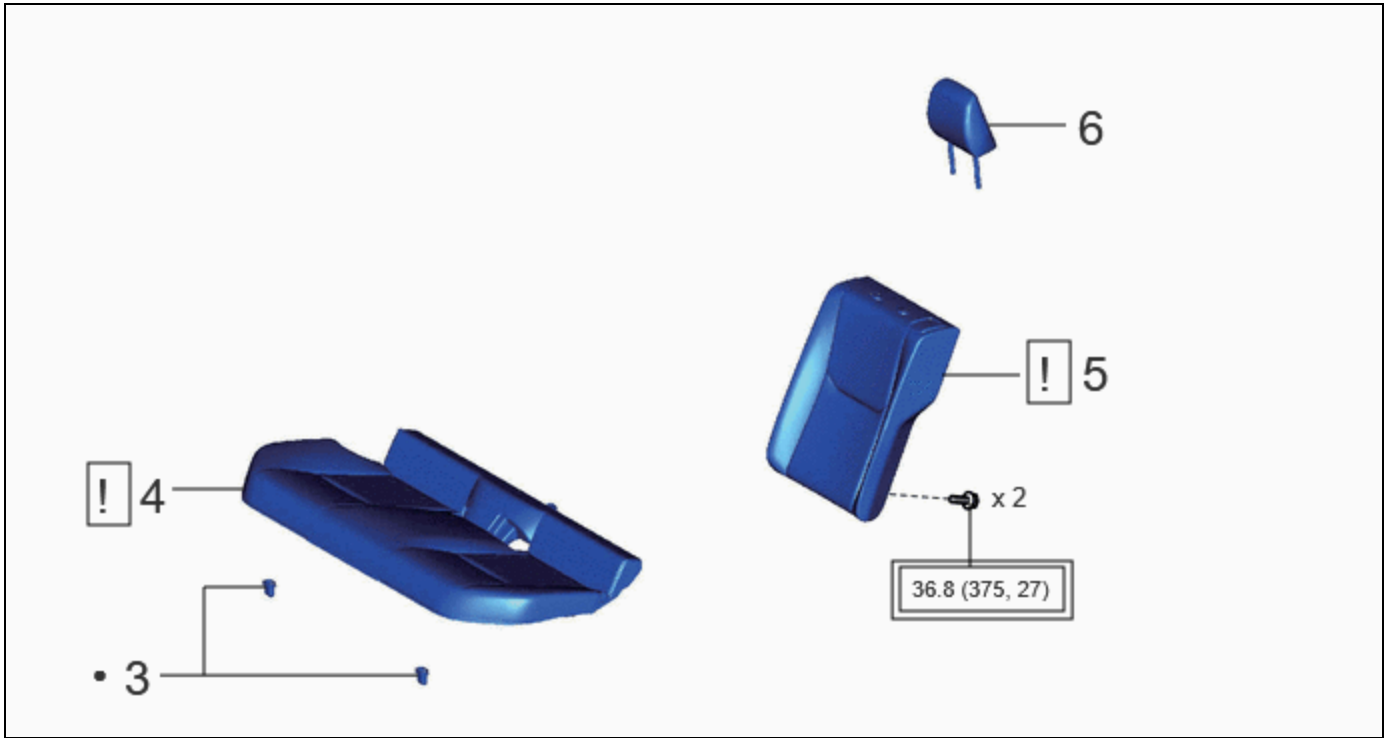
CAUTION / NOTICE / HINT




COMPONENTS (INSTALLATION)




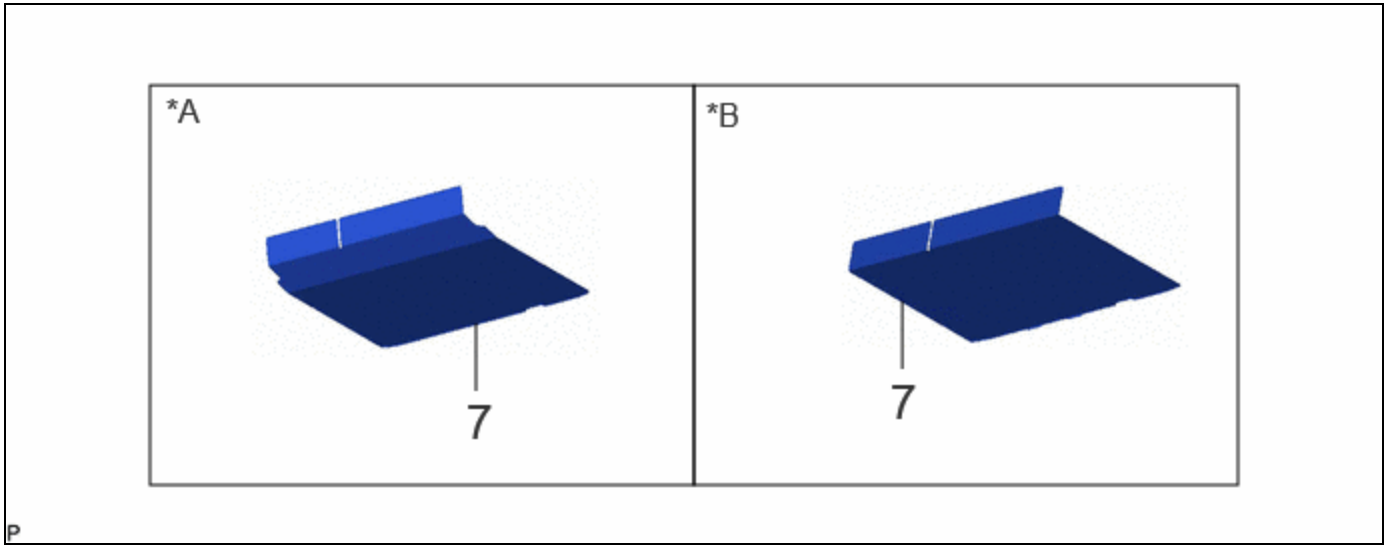
PROCEDURE		PART NAME CODE			
1	FUEL PUMP CONTROL ECU BRACKET	89573	-	-	-
2	FUEL PUMP CONTROL ECU	89571	-	-	-

	N*m (kgf*cm, ft.*lbf): Specified torque	-	-
---	---	---	---



PROCEDURE		PART NAME CODE			
3	REAR SEAT CUSHION LOCK HOOK	72693	-	-	-
4	REAR SEAT CUSHION ASSEMBLY	-	INFO	-	-
5	REAR SEATBACK ASSEMBLY LH	-	INFO	-	-
6	REAR SEAT HEADREST ASSEMBLY (for LH Side)	71940A	-	-	-

	Tightening torque for "Major areas involving basic vehicle performance such as moving/turning/stopping": N*m (kgf*cm, ft.*lbf)	• Non-reusable part
---	--	---------------------



PROCEDURE		PART NAME CODE				
7	DECK BOARD ASSEMBLY	58410B		-	-	-

*A	for Low Deck	*B	for High Deck
----	--------------	----	---------------

PROCEDURE

1. INSTALL FUEL PUMP CONTROL ECU BRACKET

Torque:

4.5 N·m {46 kgf·cm, 40 in·lbf}

2. INSTALL FUEL PUMP CONTROL ECU

Torque:

8.0 N·m {82 kgf·cm, 71 in·lbf}

3. INSTALL REAR SEAT CUSHION LOCK HOOK

4. INSTALL REAR SEAT CUSHION ASSEMBLY

	Click here INFO
--	---------------------------------

5. INSTALL REAR SEATBACK ASSEMBLY LH

	Click here INFO
--	---------------------------------

6. INSTALL REAR SEAT HEADREST ASSEMBLY (for LH Side)

7. INSTALL DECK BOARD ASSEMBLY

