

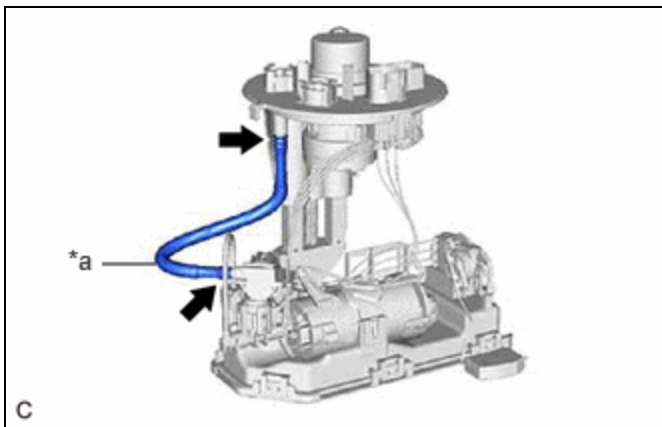
Last Modified: 12-04-2024	6.11:8.1.0	Doc ID: RM1000000029ZXN
Model Year Start: 2023	Model: Prius	Prod Date Range: [12/2022 -]
Title: M20A-FXS (FUEL): FUEL PUMP (for HEV Model): DISASSEMBLY; 2023 - 2024 MY Prius [12/2022 -]		

DISASSEMBLY

CAUTION / NOTICE / HINT

NOTICE:

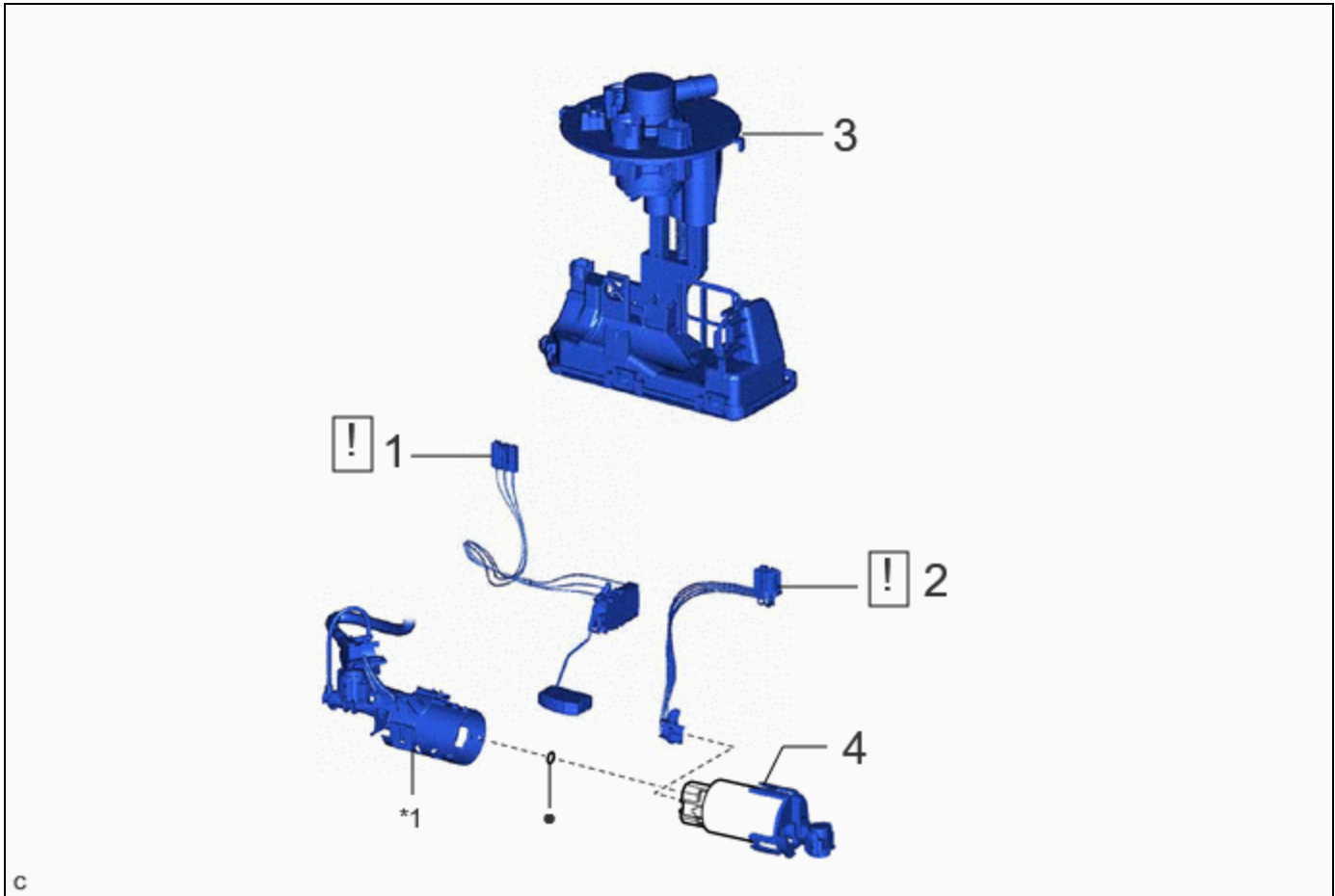
Do not disconnect the tube shown in the illustration when disassembling the fuel suction tube with pump and gauge assembly. Doing so will cause reassembly of the fuel suction tube with pump and gauge assembly to be impossible as the tube is pressed into the fuel suction plate sub-assembly.



*a	Tube
----	------

CAUTION / NOTICE / HINT

COMPONENTS (DISASSEMBLY)



PROCEDURE		PART NAME CODE			
1	FUEL SENDER GAUGE ASSEMBLY	83320	INFO	-	-
2	FUEL PUMP HARNESS	77785	INFO	-	-
3	FUEL SUCTION PLATE SUB-ASSEMBLY	77024A	-	-	-
4	FUEL PUMP	23221	-	-	-

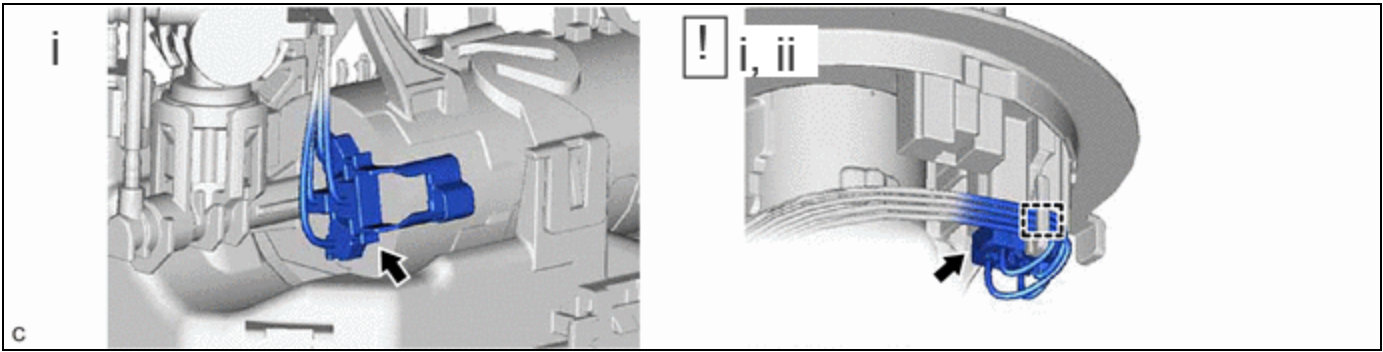
*1	SUPPORT SUB-ASSEMBLY	-	-
•	Non-reusable part	-	-

PROCEDURE

1. REMOVE FUEL SENDER GAUGE ASSEMBLY

	Click here INFO
--	---------------------------------

2. REMOVE FUEL PUMP HARNESS

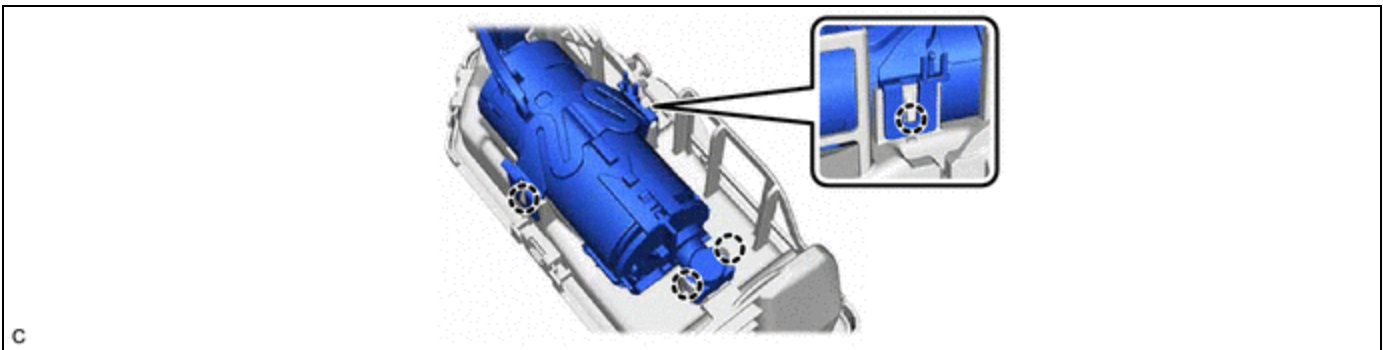


- (1) Disconnect the 2 fuel pump harness connectors.
- (2) Disengage the clamp to remove the fuel pump harness from the fuel suction plate sub-assembly.

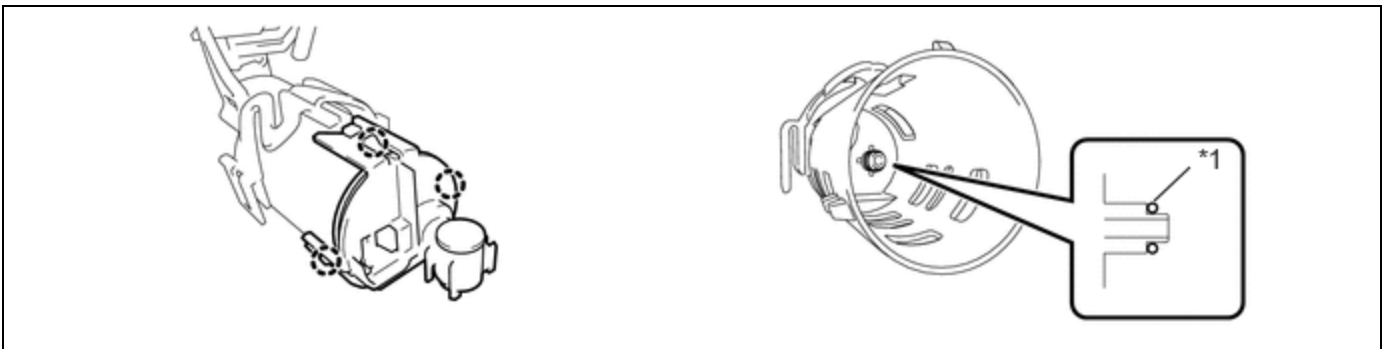
NOTICE:

- Do not damage the wire harness.
- When disengaging each wire harness from the clamp, disengage one wire at a time.

3. DISCONNECT FUEL SUCTION PLATE SUB-ASSEMBLY



4. REMOVE FUEL PUMP



*1	O-ring	-	-
----	--------	---	---

