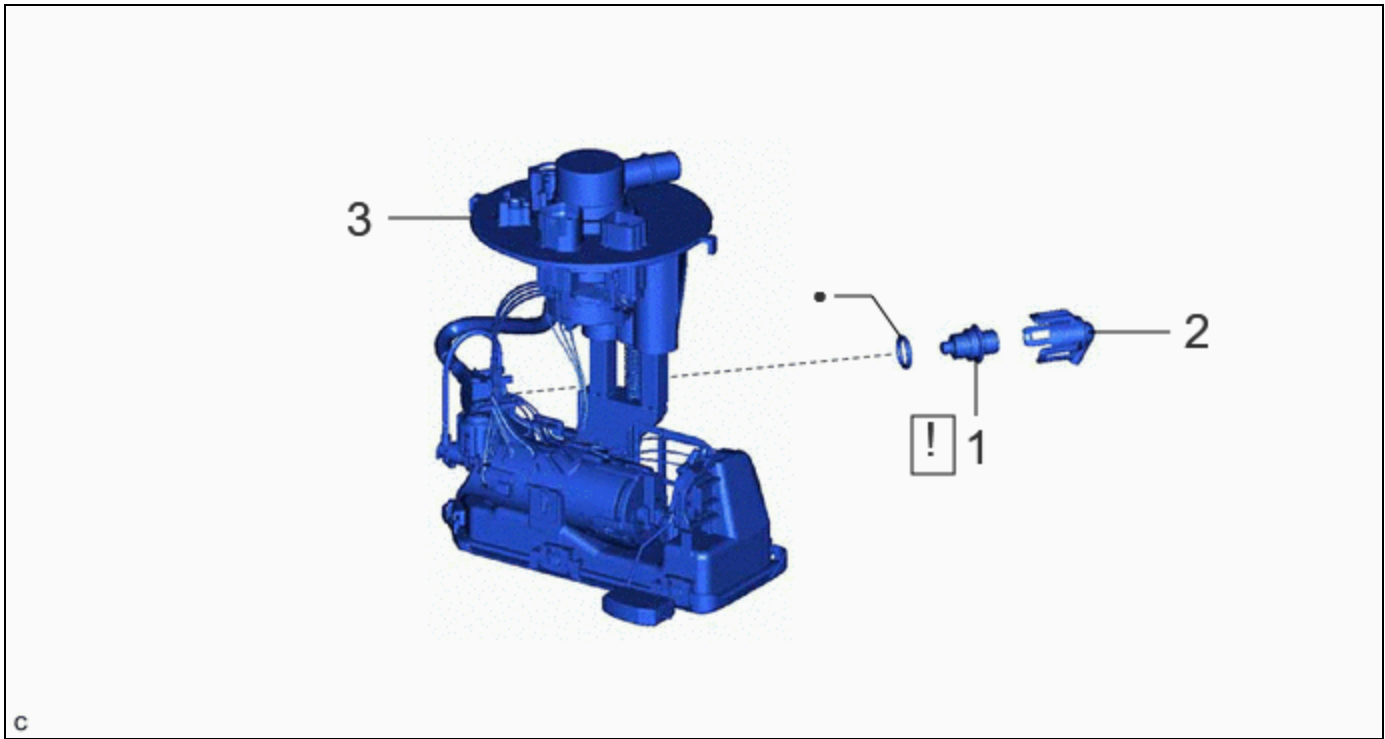


Last Modified: 12-04-2024	6.11:8.1.0	Doc ID: RM1000000029ZX9
Model Year Start: 2023	Model: Prius	Prod Date Range: [12/2022 -]
Title: M20A-FXS (FUEL): FUEL MAIN VALVE: INSTALLATION; 2023 - 2024 MY Prius [12/2022 -]		

INSTALLATION

CAUTION / NOTICE / HINT

COMPONENTS (INSTALLATION)

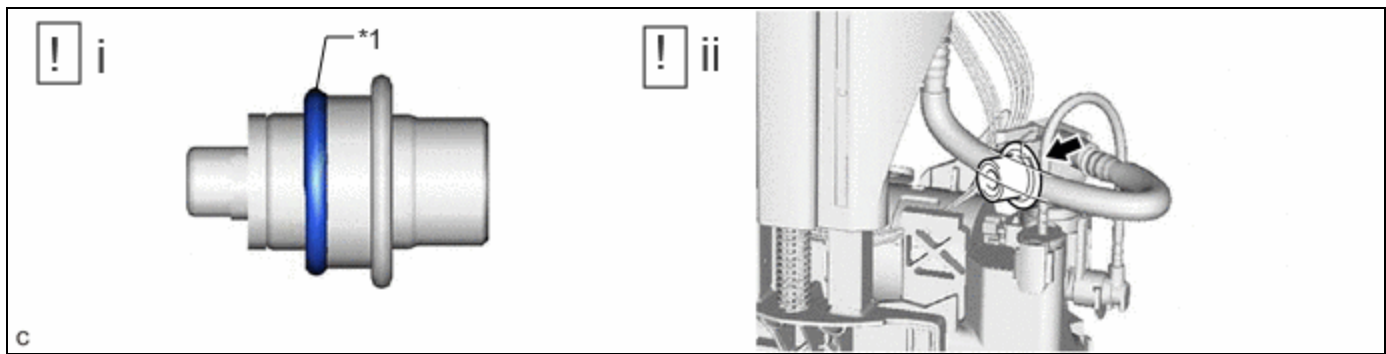


	PROCEDURE	PART NAME CODE			
1	FUEL MAIN VALVE ASSEMBLY	23070	INFO	-	-
2	NO. 2 FUEL SUCTION SUPPORT	77175	-	-	-
3	FUEL SUCTION TUBE WITH PUMP AND GAUGE ASSEMBLY	77020A	-	-	-

•	Non-reusable part	-	-
---	-------------------	---	---

PROCEDURE

1. INSTALL FUEL MAIN VALVE ASSEMBLY



*1	O-ring	-	-
----	--------	---	---

- (1) Apply gasoline to a new O-ring. Then install the O-ring to the fuel main valve assembly.
- (2) Install the fuel main valve assembly to the fuel suction tube with pump and gauge assembly.

NOTICE:

Make sure that the O-ring is not cut or pinched during installation.

2. INSTALL NO. 2 FUEL SUCTION SUPPORT

3. INSTALL FUEL SUCTION TUBE WITH PUMP AND GAUGE ASSEMBLY

Click here [INFO](#)

