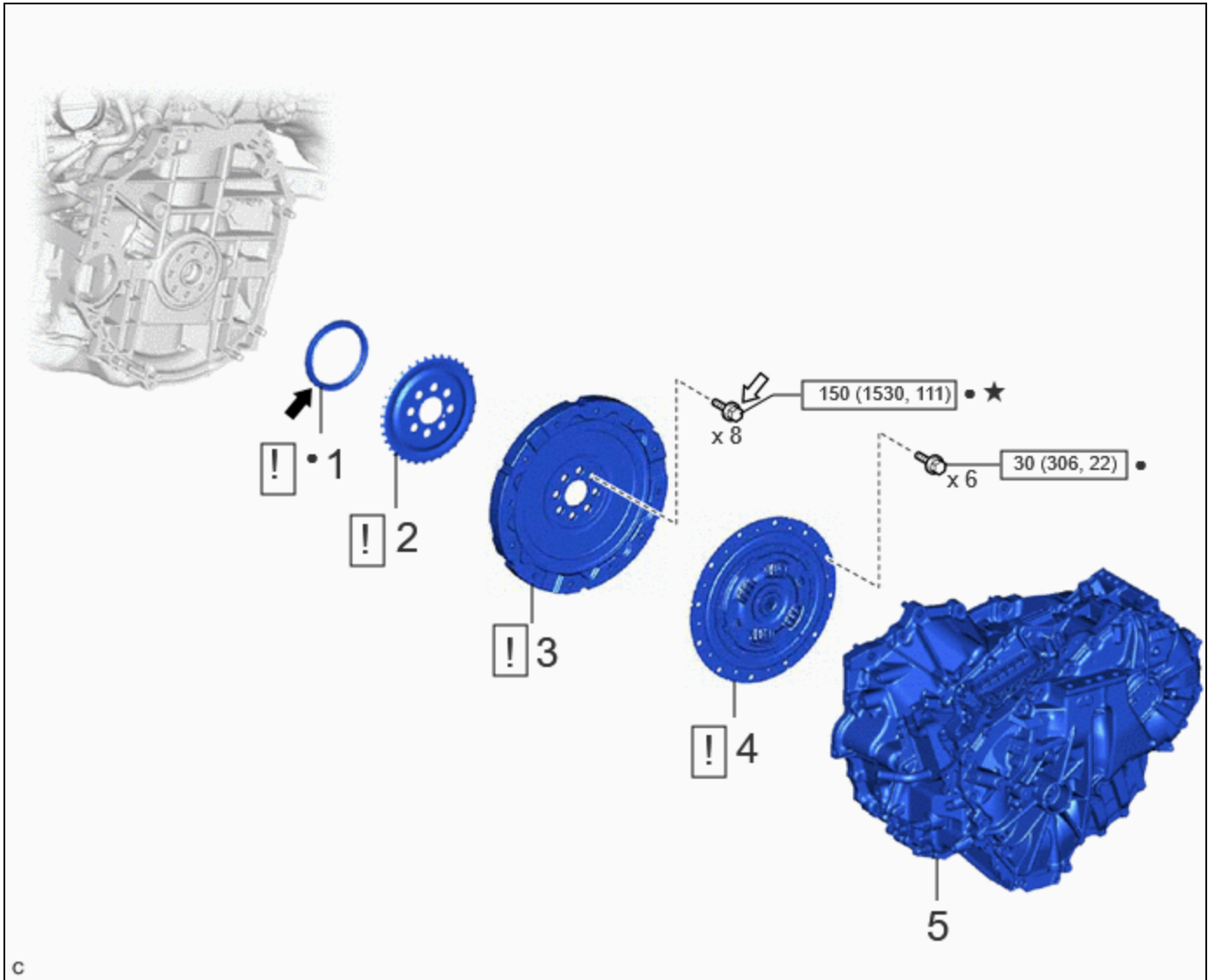


<b>Last Modified:</b> 12-04-2024	6.11:8.1.0	<b>Doc ID:</b> RM100000029YCD
<b>Model Year Start:</b> 2023	<b>Model:</b> Prius Prime	<b>Prod Date Range:</b> [12/2022 - ]
<b>Title:</b> M20A-FXS (ENGINE MECHANICAL): REAR CRANKSHAFT OIL SEAL: INSTALLATION; 2023 - 2024 MY Prius Prius Prime [12/2022 - ]		




## INSTALLATION

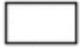


### CAUTION / NOTICE / HINT

#### COMPONENTS (INSTALLATION)




	PROCEDURE	PART NAME CODE			
1	REAR ENGINE OIL SEAL	11401L	<a href="#">INFO</a>	-	-
2	NO. 1 CRANKSHAFT POSITION SENSOR PLATE	19315	<a href="#">INFO</a>	-	-

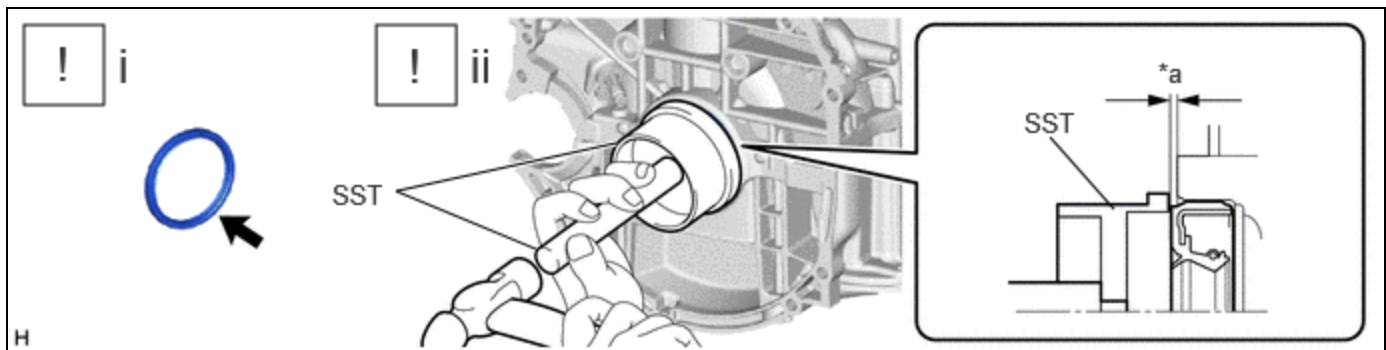
	PROCEDURE	PART NAME CODE			
3	FLYWHEEL SUB-ASSEMBLY	13405	INFO	-	-
4	TRANSMISSION INPUT DAMPER ASSEMBLY	31270	INFO	-	-
5	HYBRID VEHICLE TRANSAXLE ASSEMBLY	30900	-	-	-

	N*m (kgf*cm, ft.*lbf): Specified torque	•	Non-reusable part
	MP grease		Adhesive 1324
★	Precoated part	-	-

## PROCEDURE

### 1. INSTALL REAR ENGINE OIL SEAL

	<p><b>NOTICE:</b></p> <ul style="list-style-type: none"> <li>Using height adjustment attachments and plate lift attachments, keep the engine assembly level.</li> <li>To prevent the oil pan sub-assembly from deforming, do not place any attachments under the oil pan sub-assembly of the engine assembly.</li> <li>Using an engine sling device and engine lift, secure the engine assembly before servicing.</li> </ul>
---	--



*a	-0.9 to 1.1 mm	-	-
----	----------------	---	---

(1) Apply MP grease to the lip of a new rear engine oil seal.

**NOTICE:**

- Keep the lip free from foreign matter.
- Do not allow MP grease to contact the dust seal.

(2) Using SST and a hammer, tap in the rear engine oil seal.

**SST: 09223-15030**

**SST: 09950-70010**

09951-07150

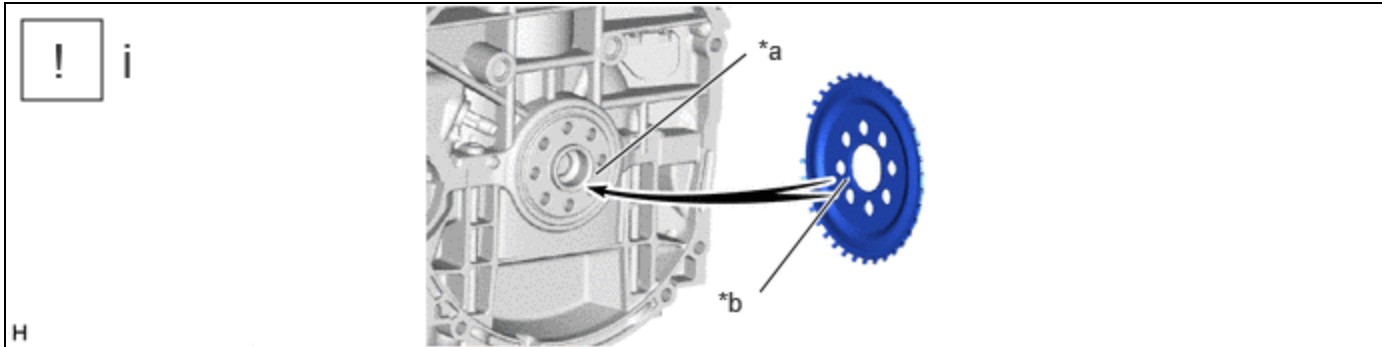
Standard Depth:

-0.9 to 1.1 mm (-0.0354 to 0.0433 in.) (From the edge of the cylinder block sub-assembly and stiffening crankcase assembly)

**NOTICE:**

Do not tap in the rear engine oil seal at an angle.

**2. INSTALL NO. 1 CRANKSHAFT POSITION SENSOR PLATE**



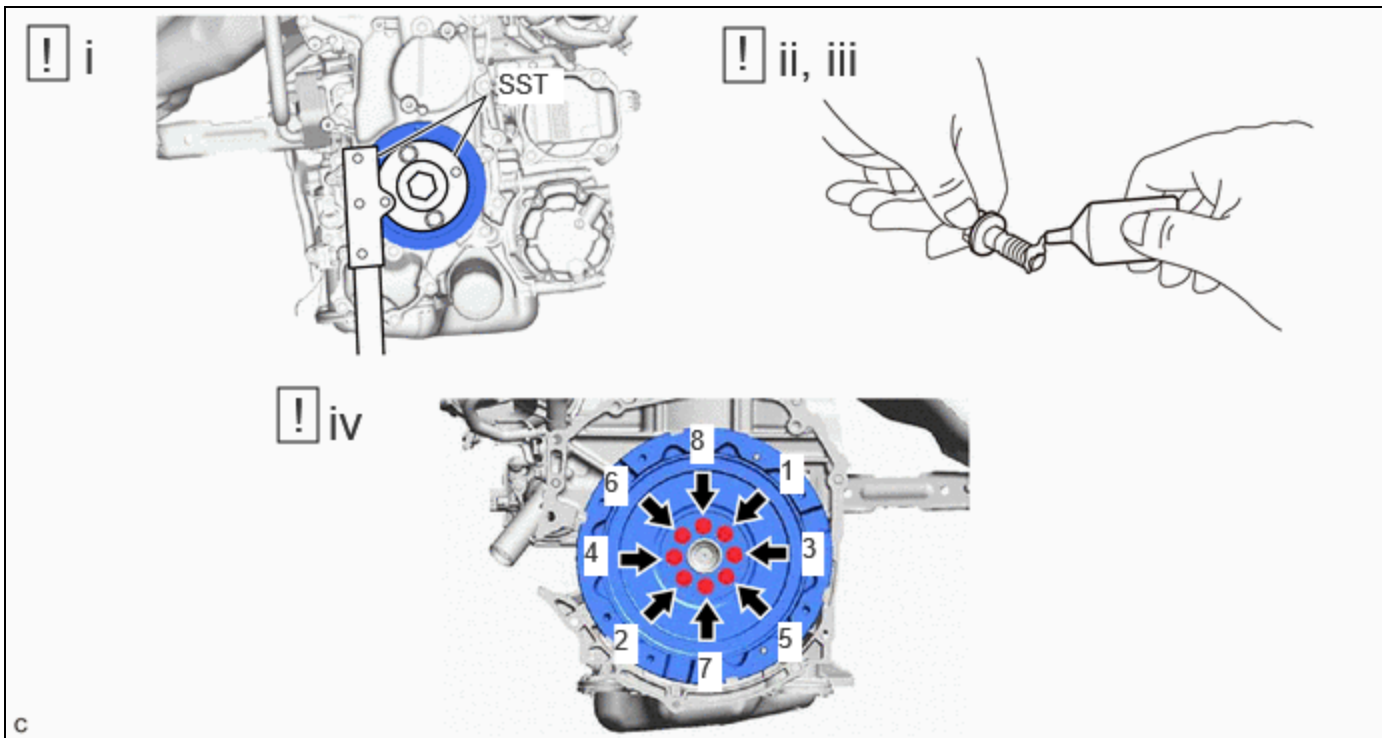
*a	Pin	*b	Pin Hole
----	-----	----	----------

(1) Install the No. 1 crankshaft position sensor plate.

**HINT:**

Align the pin hole of the No. 1 crankshaft position sensor plate with the pin of the crankshaft.

**3. INSTALL FLYWHEEL SUB-ASSEMBLY**



(1) Using SST, hold the crankshaft pulley assembly.

**SST: 09213-54015**

**SST: 09330-00021**

(2) Clean the bolts and bolt holes.

(3) Apply adhesive to 2 or 3 threads at the end of 8 new bolts.

Adhesive:

Toyota Genuine Adhesive 1324, Three Bond 1324 or equivalent

- (4) Install the flywheel sub-assembly with the 8 bolts. Uniformly tighten the 8 bolts in the order shown in the illustration.

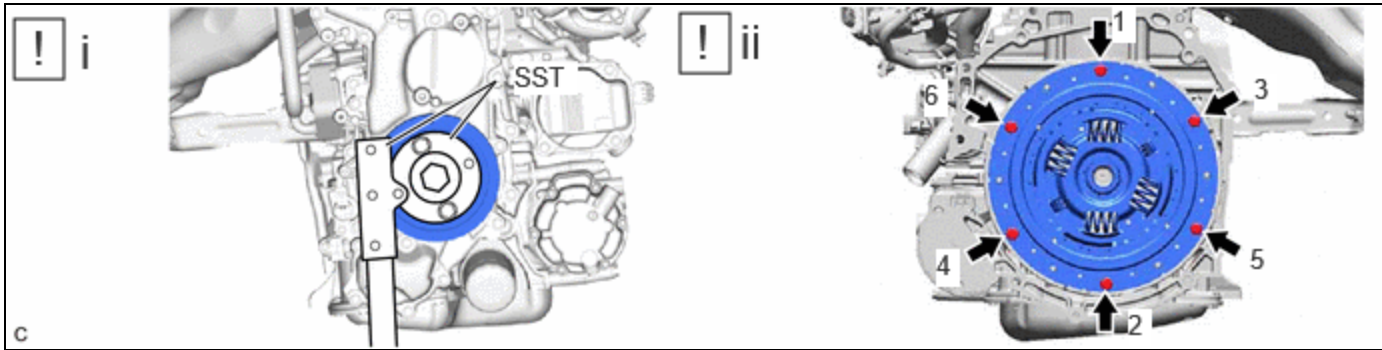
**Torque:**

**150 N·m {1530 kgf·cm, 111 ft·lbf}**

**NOTICE:**

Do not start the engine for at least 1 hour after installing the flywheel sub-assembly.

**4. INSTALL TRANSMISSION INPUT DAMPER ASSEMBLY**



- (1) Using SST, hold the crankshaft pulley assembly.

**SST: 09213-54015**

**SST: 09330-00021**

- (2) Install the transmission input damper assembly to the flywheel sub-assembly with 6 new bolts. Uniformly tighten the 6 bolts in the order shown in the illustration.

**Torque:**

**30 N·m {306 kgf·cm, 22 ft·lbf}**

**NOTICE:**

- Make sure that there are no oil on the transmission input damper assembly and flywheel sub-assembly.
- Make sure to install the transmission input damper assembly in the correct direction.
- Do not allow grease to contact the splines of the transmission input damper assembly and the input shaft.

**5. INSTALL HYBRID VEHICLE TRANSAXLE ASSEMBLY**

Click here [INFO](#)

