

Last Modified: 12-04-2024	6.11:8.1.0	Doc ID: RM1000000029ZL2
Model Year Start: 2023	Model: Prius Prime	Prod Date Range: [12/2022 -]
Title: M20A-FXS (ENGINE CONTROL): THROTTLE BODY: INSTALLATION; 2023 - 2024 MY Prius Prius Prime [12/2022 -]		

INSTALLATION

CAUTION / NOTICE / HINT

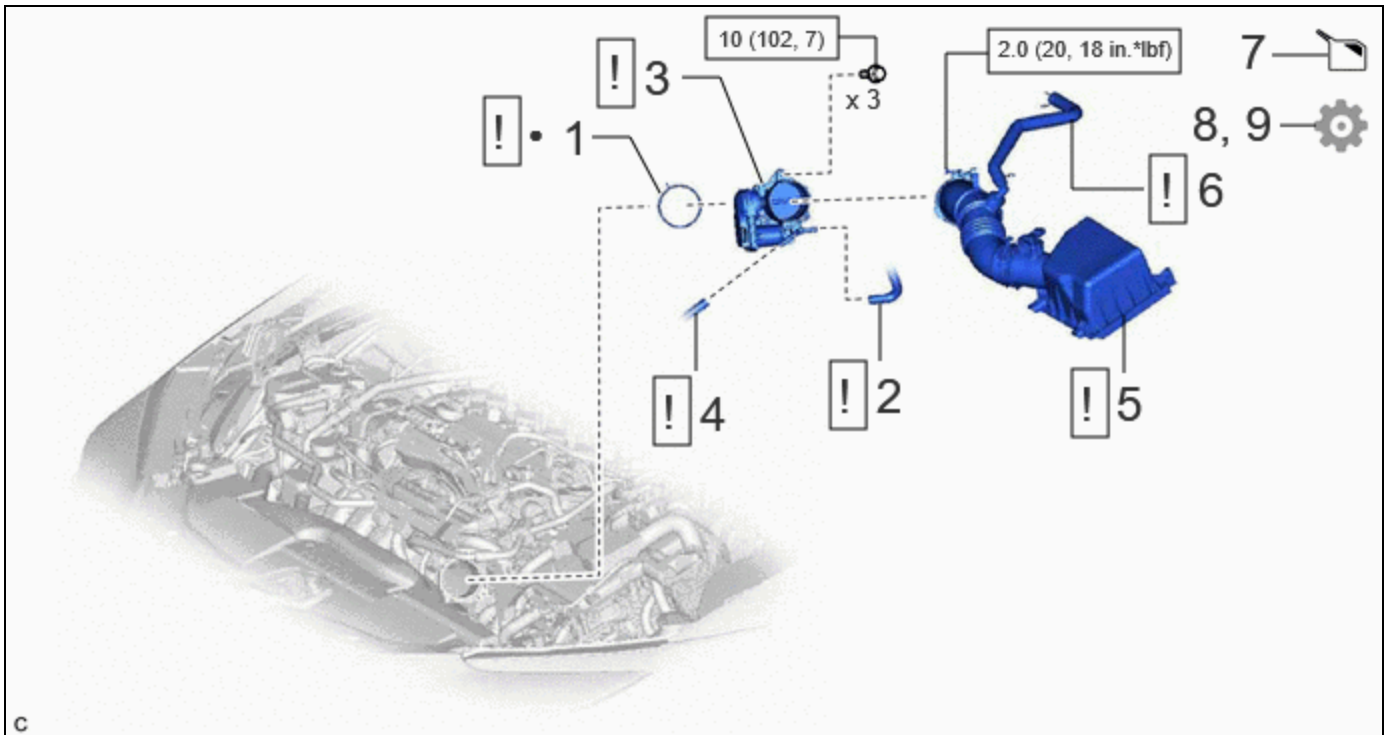
NOTICE:

This procedure includes the installation of small-head bolts. Refer to Small-Head Bolts of Basic Repair Hint to identify the small-head bolts.




Click here [INFO](#)


CAUTION / NOTICE / HINT

COMPONENTS (INSTALLATION)



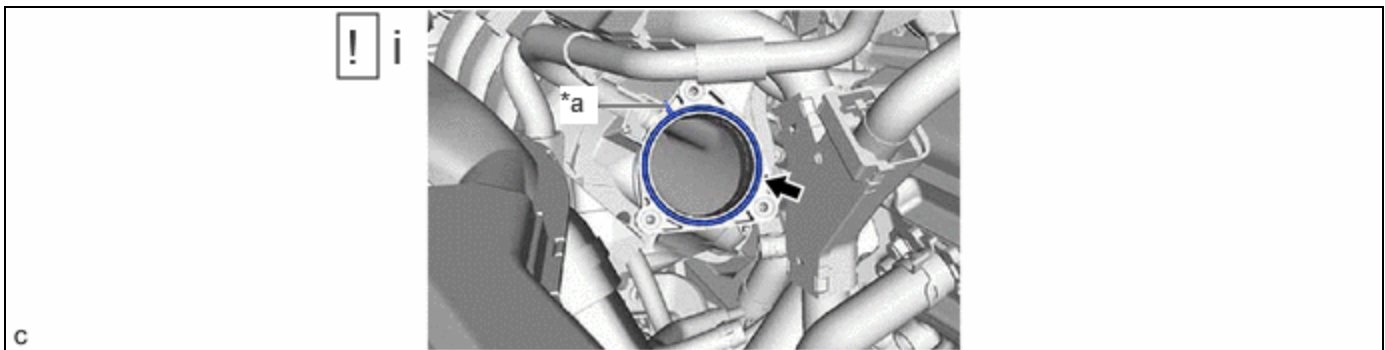
	PROCEDURE	PART NAME CODE			
1	THROTTLE BODY GASKET	22271	INFO	-	-
2	NO. 8 WATER BY-PASS HOSE	16296	INFO	-	-
3	THROTTLE BODY WITH MOTOR ASSEMBLY	22030	INFO	-	-
4	NO. 5 WATER BY-PASS HOSE	16282	INFO	-	-

	PROCEDURE	PART NAME CODE			
5	AIR CLEANER CAP WITH AIR CLEANER HOSE	-	INFO	-	-
6	NO. 2 VENTILATION HOSE	12262	INFO	-	-
7	ADD ENGINE COOLANT (for Engine)	-	-	INFO	-
8	INSPECT FOR COOLANT LEAK (for Engine)	-	-	-	INFO
9	PERFORM INITIALIZATION	-	-	-	INFO

	N*m (kgf*cm, ft.*lbf): Specified torque	<ul style="list-style-type: none">Non-reusable part
---	---	---

PROCEDURE

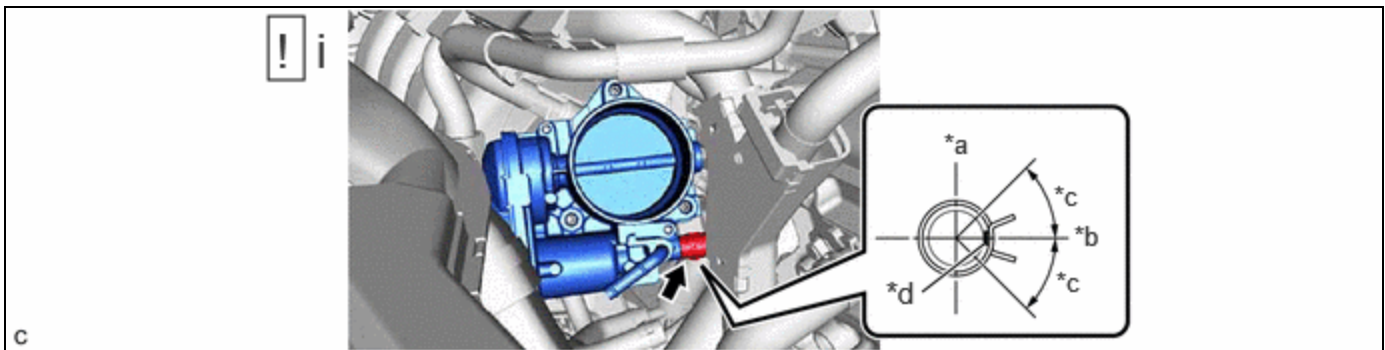
1. INSTALL THROTTLE BODY GASKET



*a	Protrusion	-	-
----	------------	---	---

(1) Install a new throttle body gasket to the intake manifold with the protrusion of the throttle body gasket oriented as shown in the illustration.

2. CONNECT NO. 8 WATER BY-PASS HOSE



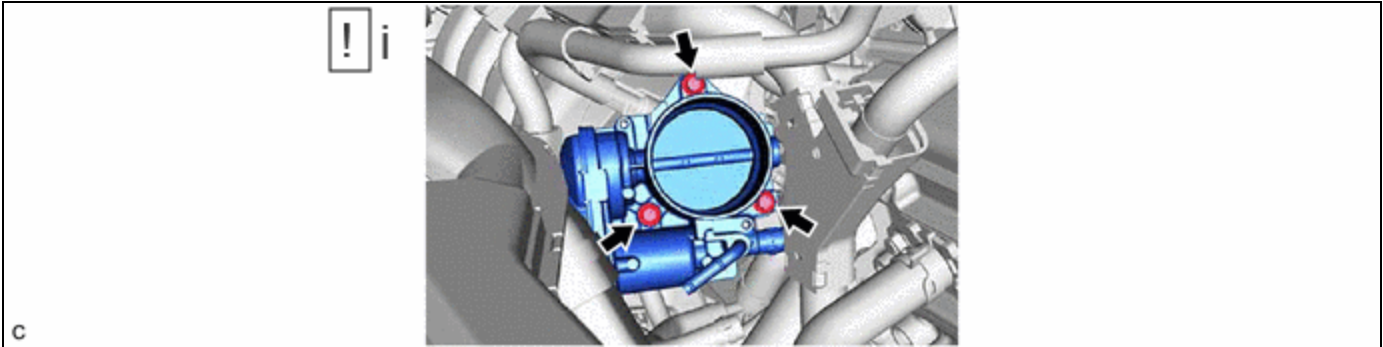
*a	Top of Vehicle	*b	Left of Vehicle
*c	45° (Claw of Clip Location)	*d	Paint Mark

(1) Connect the No. 8 water by-pass hose to the throttle body with motor assembly and slide the clip to secure it.

NOTICE:

- If the throttle body with motor assembly has been struck or dropped, replace it.
- Make sure to position the clip as shown in the illustration.

3. INSTALL THROTTLE BODY WITH MOTOR ASSEMBLY

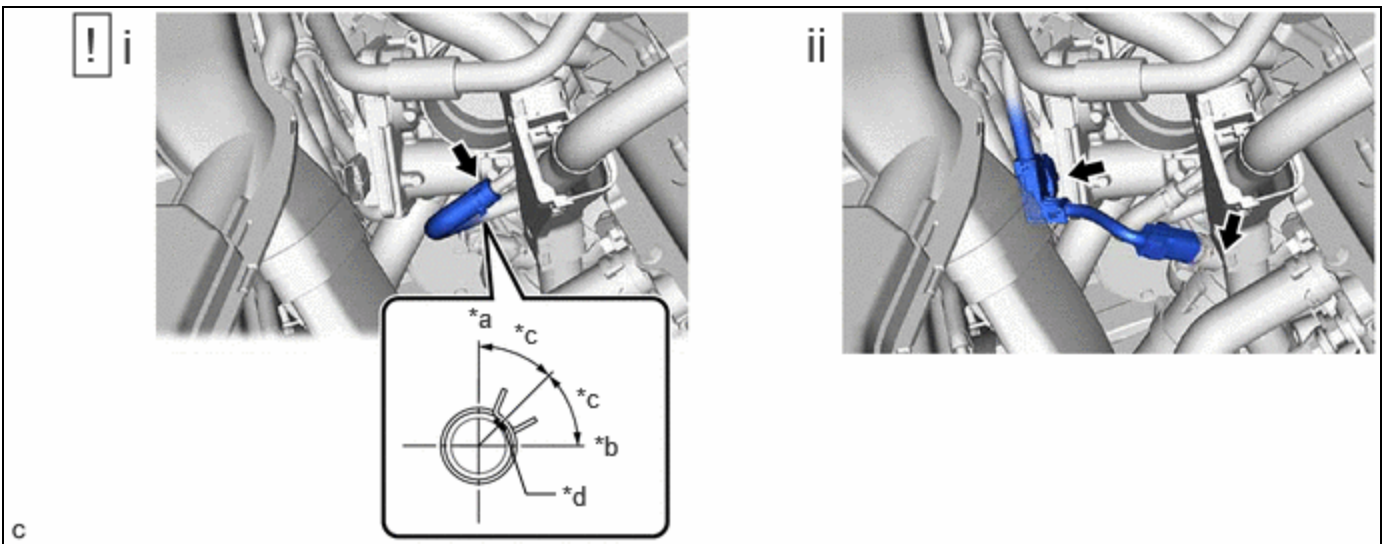


(1) Using an 8 mm socket wrench, install the throttle body with motor assembly to the intake manifold with the 3 bolts.

Torque:

10 N·m {102 kgf·cm, 7 ft·lbf}

4. CONNECT NO. 5 WATER BY-PASS HOSE



*a	Top of Vehicle	*b	Left of Vehicle
*c	45° (Claw of Clip Location)	*d	Paint Mark

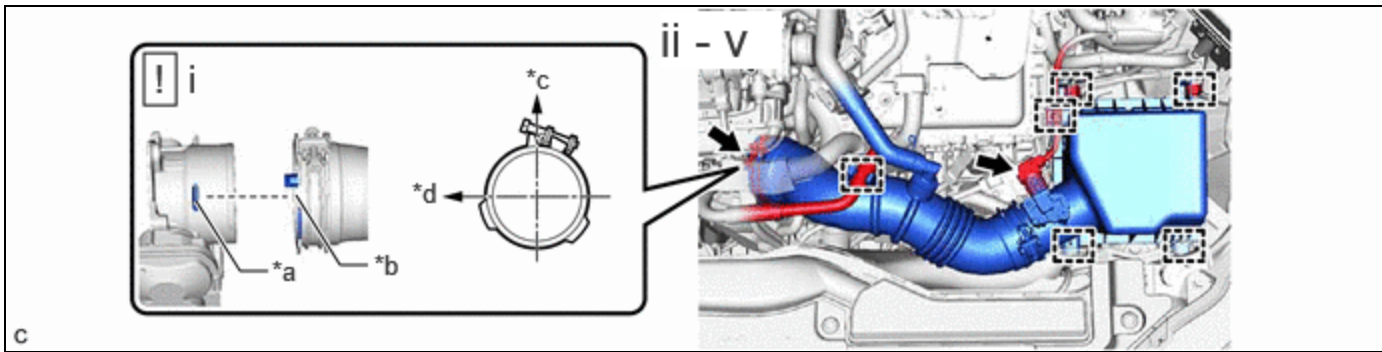
(1) Connect the No. 5 water by-pass hose to the throttle body with motor assembly and slide the clip to secure it.

NOTICE:

Make sure to position the clip as shown in the illustration.

(2) Connect the throttle body with motor assembly connector and No. 2 engine coolant temperature sensor connector.

5. INSTALL AIR CLEANER CAP WITH AIR CLEANER HOSE



*a	Protrusion	*b	Cutout
*c	Top of Vehicle	*d	Front of Vehicle

(1) Install the air cleaner cap with air cleaner hose to the throttle body with motor assembly and tighten the hose clamp.

Torque:

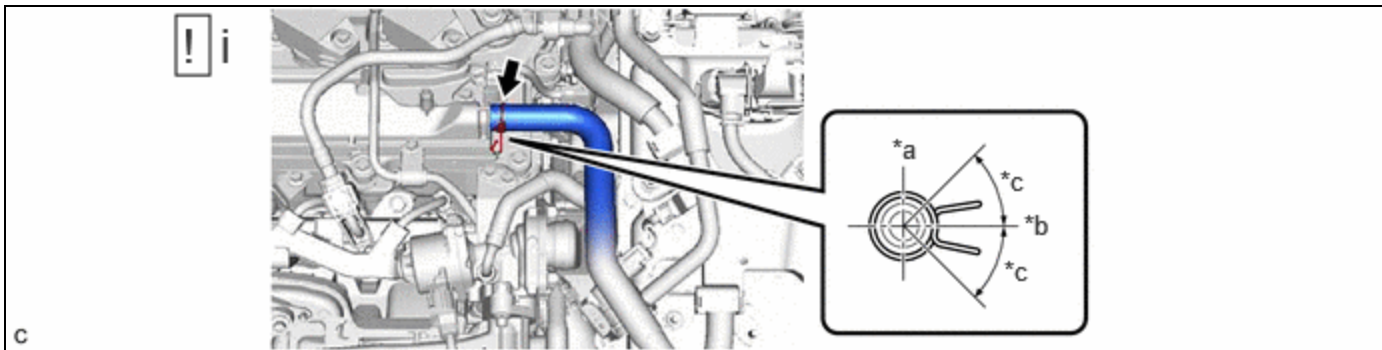
2.0 N·m {20 kgf·cm, 18 in·lbf}

NOTICE:

Align the cutout of the air cleaner hose with the protrusion of the throttle body with motor assembly as shown in the illustration.

- (2) Engage the clamp to connect the No. 1 fuel vapor feed hose.
- (3) Engage the 2 guides and 2 clamps.
- (4) Engage the wire harness clamp.
- (5) Connect the mass air flow meter connector.

6. CONNECT NO. 2 VENTILATION HOSE



*a	Top of Vehicle	*b	Front of Vehicle
*c	45° (Claw of Clip Location)	-	-

(1) Connect the No. 2 ventilation hose to the cylinder head cover sub-assembly and slide the clip to secure it.

NOTICE:

Make sure to position the clip as shown in the illustration.

7. ADD ENGINE COOLANT (for Engine)

Click here [INFO](#)

8. INSPECT FOR COOLANT LEAK (for Engine)

Click here [INFO](#)

9. PERFORM INITIALIZATION

Click here [INFO](#)

