

Last Modified: 12-04-2024	6.11:8.1.0	Doc ID: RM100000029ZLD
Model Year Start: 2023	Model: Prius Prime	Prod Date Range: [12/2022 -]
Title: M20A-FXS (ENGINE CONTROL): CRANKSHAFT POSITION SENSOR: INSTALLATION; 2023 - 2024 MY Prius Prius Prime [12/2022 -]		

INSTALLATION

CAUTION / NOTICE / HINT

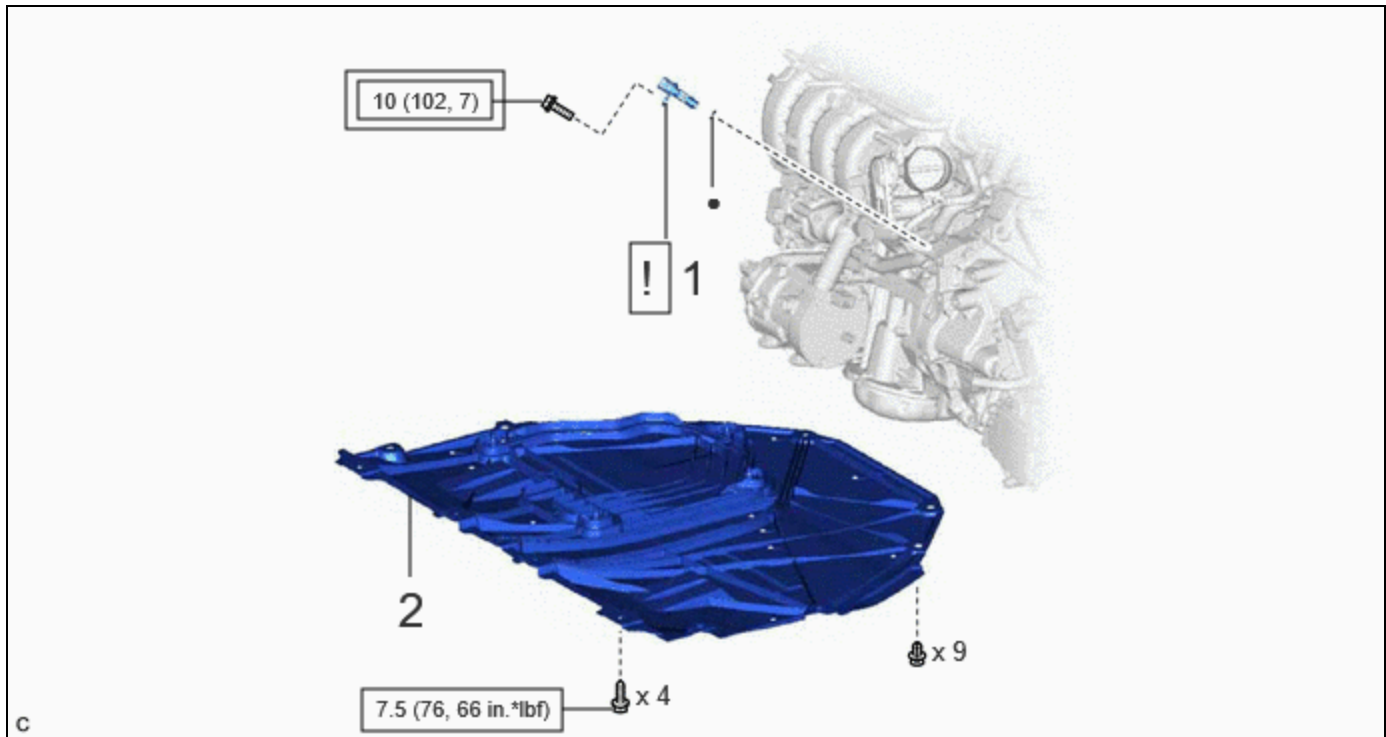
NOTICE:

This procedure includes the installation of small-head bolts. Refer to Small-Head Bolts of Basic Repair Hint to identify the small-head bolts.


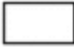
Click here [INFO](#)

CAUTION / NOTICE / HINT

COMPONENTS (INSTALLATION)

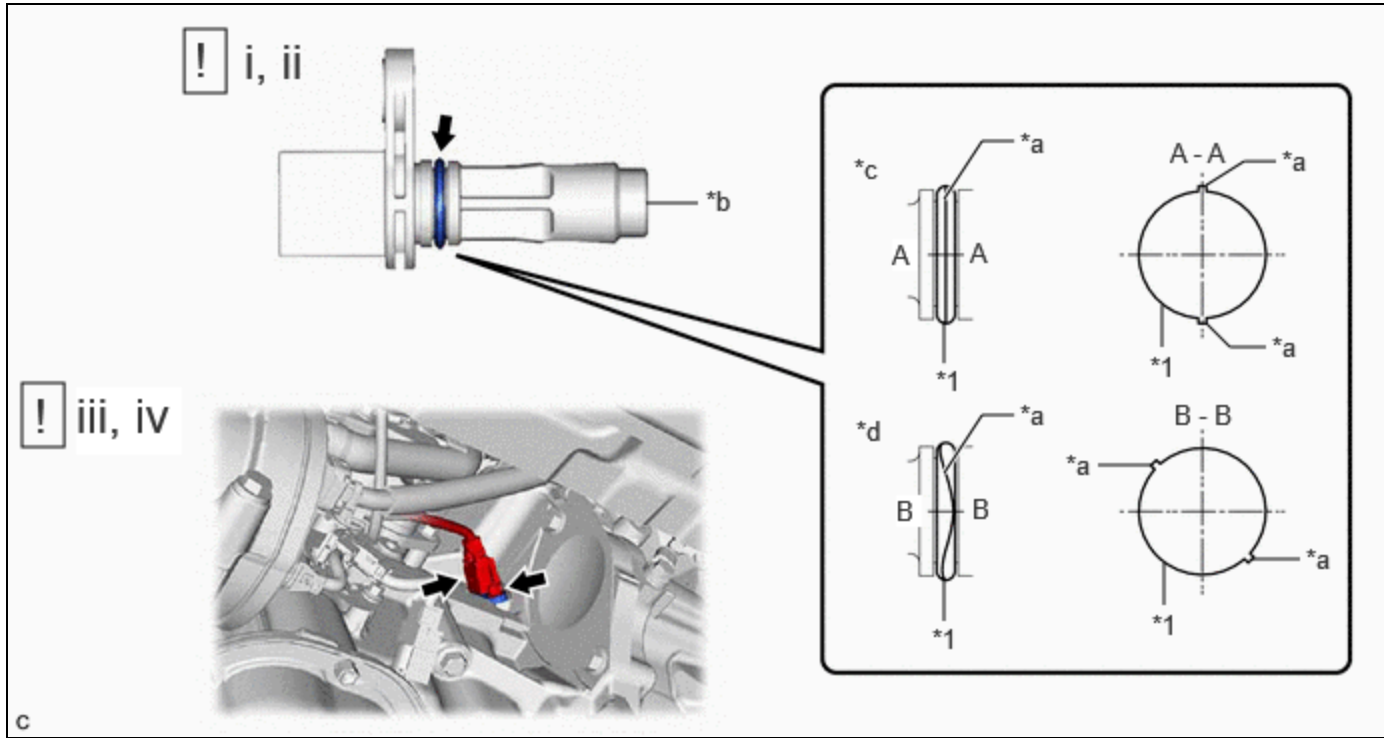


	PROCEDURE	PART NAME CODE			
1	CRANKSHAFT POSITION SENSOR	11401G	INFO	-	-
2	NO. 1 ENGINE UNDER COVER ASSEMBLY	51410	-	-	-

	Tightening torque for "Major areas involving basic vehicle performance such as moving/turning/stopping": N*m (kgf*cm, ft.*lbf)		N*m (kgf*cm, ft.*lbf): Specified torque
<ul style="list-style-type: none"> • 	Non-reusable part	-	-

PROCEDURE

1. INSTALL CRANKSHAFT POSITION SENSOR



*1	O-ring	-	-
*a	Seam	*b	Crankshaft Position Sensor Tip
*c	OK	*d	NG

(1) Perform this procedure only when reusing the crankshaft position sensor.

1. Clean the O-ring groove of the crankshaft position sensor.

NOTICE:

Make sure the O-ring groove is free of foreign matter.

2. Install a new O-ring to the crankshaft position sensor.

NOTICE:

Set the O-ring on the tip of the crankshaft position sensor and roll it into the O-ring groove with bare hands to install it.

3. Check if the O-ring is twisted.

HINT:

Check the entire circumference of the seam of the O-ring for twisting.

- (2) Apply a light coat of engine oil to the O-ring of the crankshaft position sensor.

- (3) Using an 8 mm socket wrench, install the crankshaft position sensor to the cylinder block sub-assembly with the bolt.

Torque:**10 N·m {102 kgf·cm, 7 ft·lbf}****NOTICE:**

- If the crankshaft position sensor has been struck or dropped, replace it.
- Make sure that the O-ring is not cracked or moved out of place when installing the crankshaft position sensor.

(4) Connect the crankshaft position sensor connector.

2. INSTALL NO. 1 ENGINE UNDER COVER ASSEMBLY

Click here 

