

<b>Last Modified:</b> 12-04-2024	6.11:8.1.0	<b>Doc ID:</b> RM100000029TKA
<b>Model Year Start:</b> 2023	<b>Model:</b> Prius Prime	<b>Prod Date Range:</b> [12/2022 - ]
<b>Title:</b> DRIVE SHAFT / PROPELLER SHAFT: REAR DRIVE SHAFT ASSEMBLY: DISASSEMBLY; 2023 - 2024 MY Prius Prius Prime [12/2022 - ]		

## DISASSEMBLY

### CAUTION / NOTICE / HINT

#### **NOTICE:**

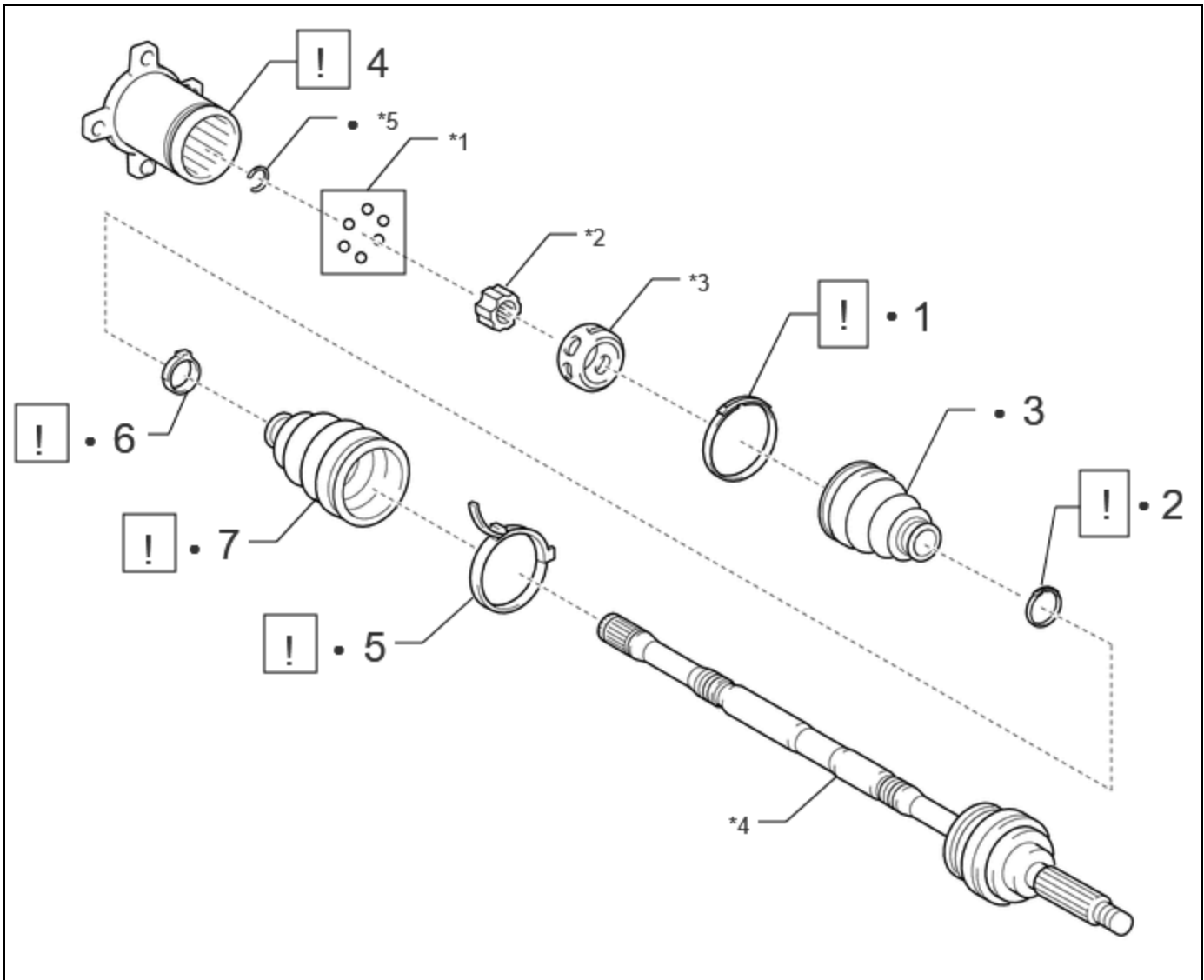
- When using a vise, place aluminum plates between the part and vise.
- When using a vise, do not overtighten it.




#### **HINT:**

- Use the same procedure for the RH side and LH side.
- The following procedure is for the LH side.

### CAUTION / NOTICE / HINT

#### **COMPONENTS (DISASSEMBLY)**



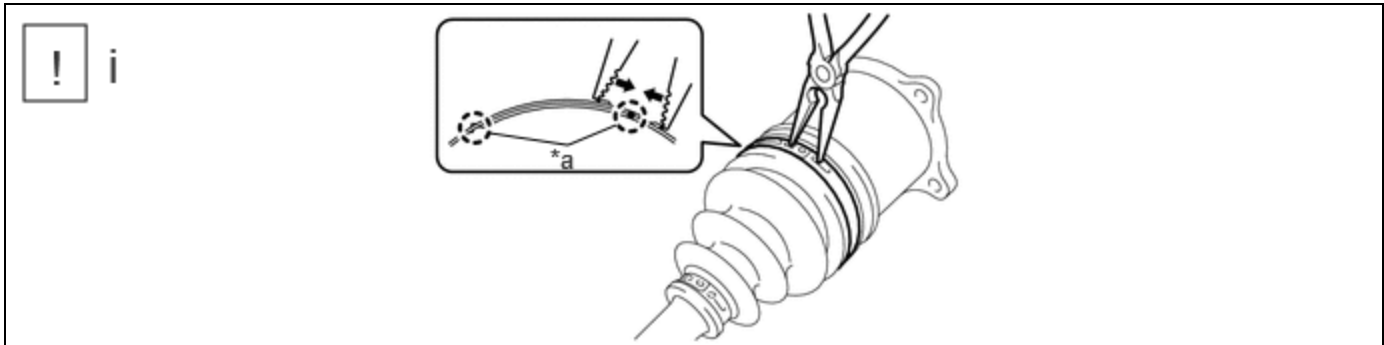
PROCEDURE		PART NAME CODE			
1	REAR NO. 2 DRIVE SHAFT INBOARD JOINT BOOT CLAMP	42347F	<a href="#">INFO</a>	-	-
2	REAR DRIVE SHAFT INBOARD JOINT BOOT CLAMP	42347D	<a href="#">INFO</a>	-	-
3	REAR DRIVE SHAFT INBOARD JOINT BOOT	-	-	-	-
4	REAR DRIVE SHAFT INBOARD JOINT ASSEMBLY	42360D	<a href="#">INFO</a>	-	-
5	REAR NO. 2 DRIVE SHAFT OUTBOARD JOINT BOOT CLAMP	42346F	<a href="#">INFO</a>	-	-
6	REAR DRIVE SHAFT OUTBOARD JOINT BOOT CLAMP	42346D	<a href="#">INFO</a>	-	-
7	REAR DRIVE SHAFT OUTBOARD JOINT BOOT	-	<a href="#">INFO</a>	-	-

*1	BALL	*2	INNER RACE
*3	BALL CAGE	*4	REAR DRIVE SHAFT OUTBOARD JOINT SHAFT ASSEMBLY

*5	SHAFT SNAP RING	-	-
•	Non-reusable part	-	-

## **PROCEDURE**

### **1. SEPARATE REAR NO. 2 DRIVE SHAFT INBOARD JOINT BOOT CLAMP**



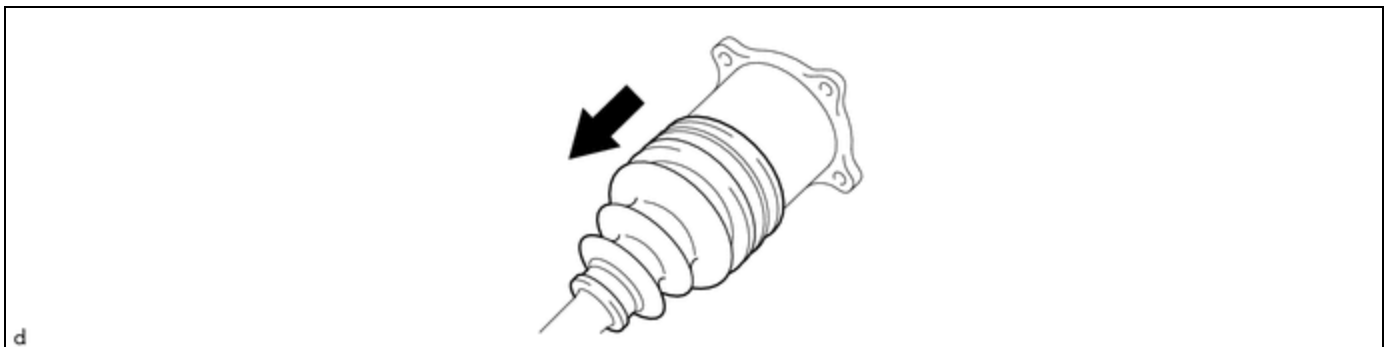
*a	Claw	-	-
----	------	---	---

(1) Using needle-nose pliers, disengage the 2 claws as shown in the illustration and separate the rear No. 2 drive shaft inboard joint boot clamp.

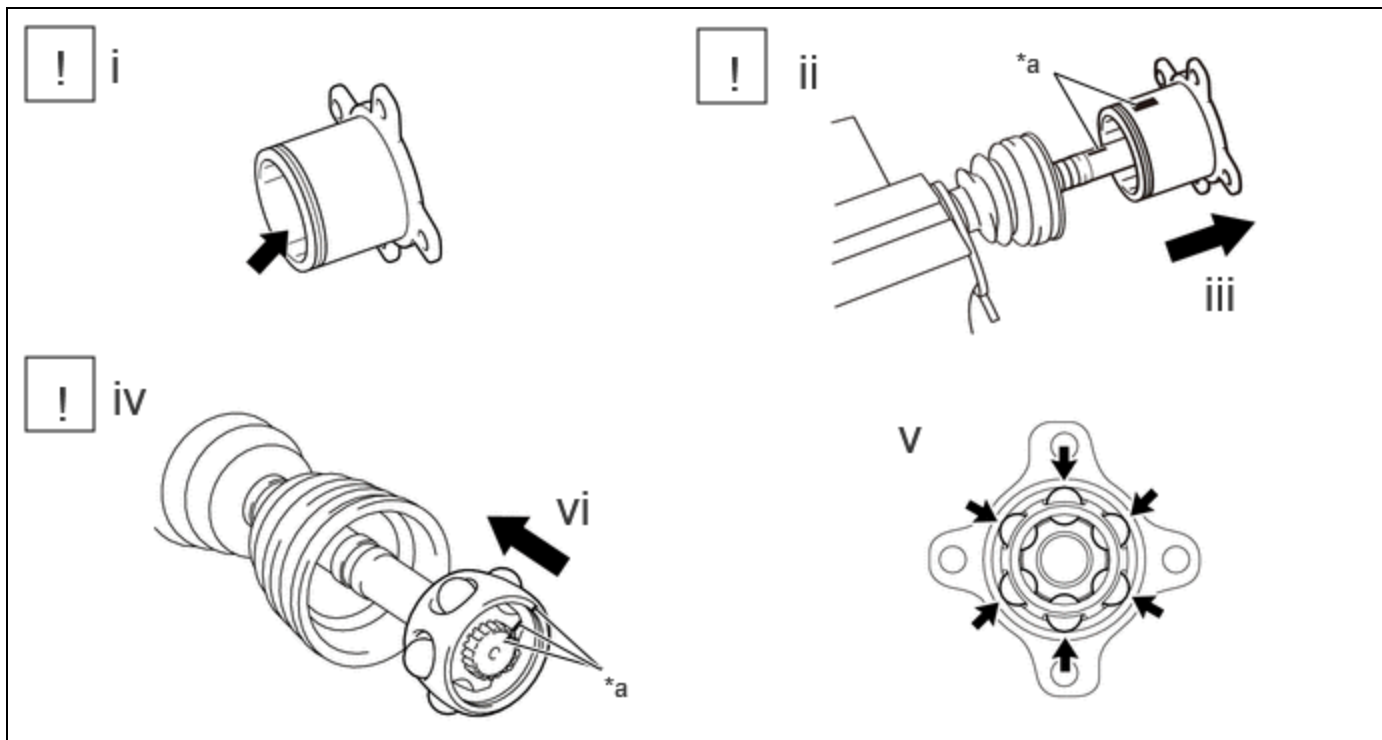
### **2. SEPARATE REAR DRIVE SHAFT INBOARD JOINT BOOT CLAMP**

(a) Perform the same procedure as for the rear No. 2 drive shaft inboard joint boot clamp.

### **3. SEPARATE REAR DRIVE SHAFT INBOARD JOINT BOOT**



### **4. REMOVE REAR DRIVE SHAFT INBOARD JOINT ASSEMBLY**



*a	Matchmark	-	-
----	-----------	---	---

(1) Remove the old grease from the rear drive shaft inboard joint assembly.

(2) Put matchmarks on the rear drive shaft inboard joint assembly and rear drive shaft outboard joint shaft assembly.

**NOTICE:**

Do not use a punch for the marks.

(3) Remove the rear drive shaft inboard joint assembly from the rear drive shaft outboard joint shaft assembly.

**NOTICE:**

Be careful not to drop the balls.

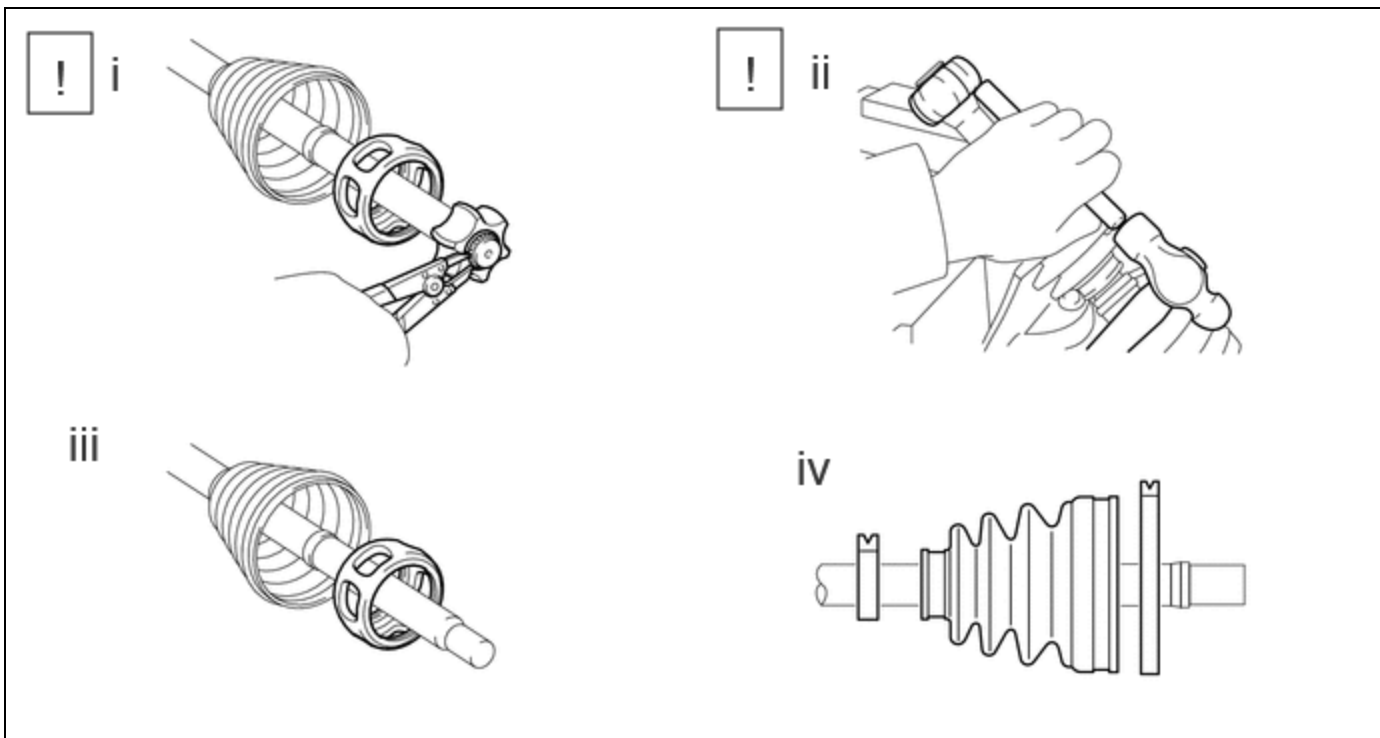
(4) Put matchmarks on the rear drive shaft outboard joint shaft assembly, inner race and ball cage.

**NOTICE:**

Do not use a punch for the marks.

(5) Remove the 6 balls.

(6) Slide the ball cage to the outboard Joint Side.



(1) Using a snap ring expander, remove the shaft snap ring from the rear drive shaft outboard joint shaft assembly.

(2) Using a brass bar and a hammer, tap out the inner race from the rear drive shaft outboard joint shaft assembly.

Be careful not to damage the inner race.

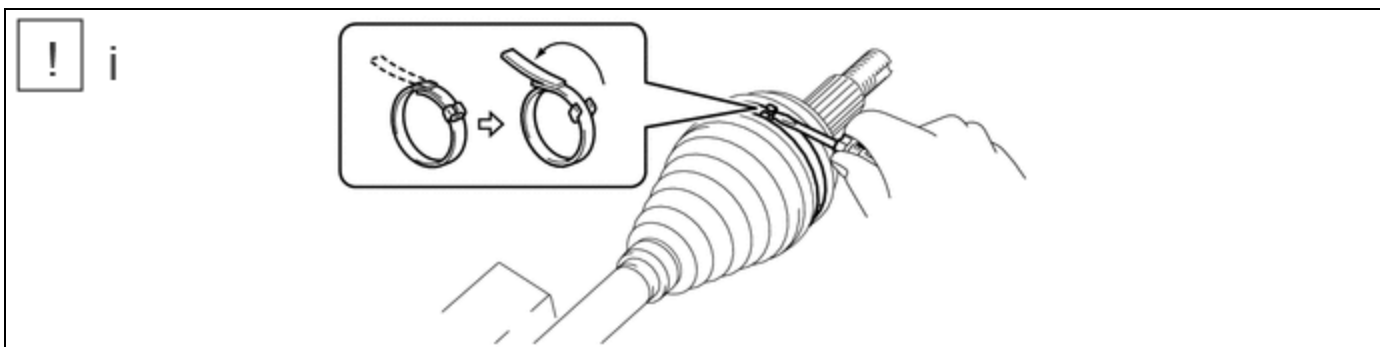
**NOTICE:**

Be careful not to damage the inner race.

(3) Remove the ball cage.

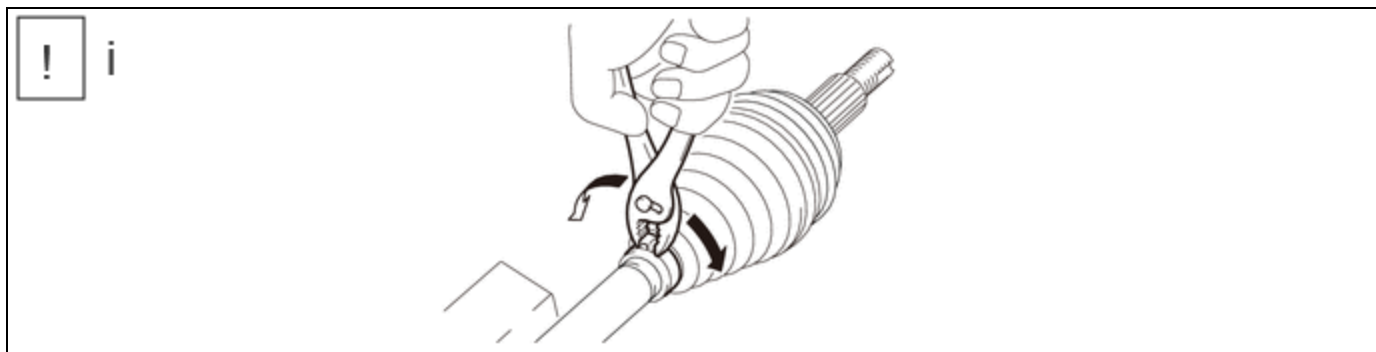
(4) Remove the rear No. 2 drive shaft inboard joint boot clamp, rear drive shaft inboard joint boot and rear drive shaft inboard joint boot clamp.

**5. SEPARATE REAR NO. 2 DRIVE SHAFT OUTBOARD JOINT BOOT CLAMP**



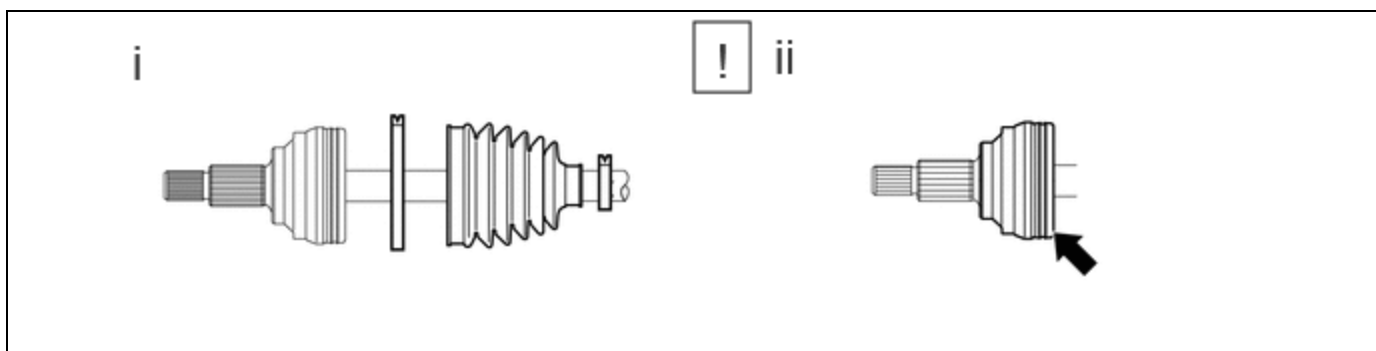
(1) Using a screwdriver, separate the rear No. 2 drive shaft outboard joint boot clamp as shown in the illustration.

**6. SEPARATE REAR DRIVE SHAFT OUTBOARD JOINT BOOT CLAMP**



(1) Using pliers, separate the rear drive shaft outboard joint boot clamp as shown in the illustration.

## 7. REMOVE REAR DRIVE SHAFT OUTBOARD JOINT BOOT



(1) Remove the rear drive shaft outboard joint boot clamp, rear drive shaft outboard joint boot and rear No. 2 drive shaft outboard joint boot clamp from the rear drive shaft outboard joint shaft assembly.

(2) Remove the old grease from the outboard joint.

