

Last Modified: 12-04-2024	6.11:8.1.0	Doc ID: RM100000029YM3
Model Year Start: 2023	Model: Prius Prime	Prod Date Range: [12/2022 -]
Title: Q810 (HYBRID TRANSMISSION / TRANSAXLE): HYBRID TRANSAXLE FLUID: ON-VEHICLE INSPECTION; 2023 - 2024 MY Prius Prius Prime [12/2022 -]		

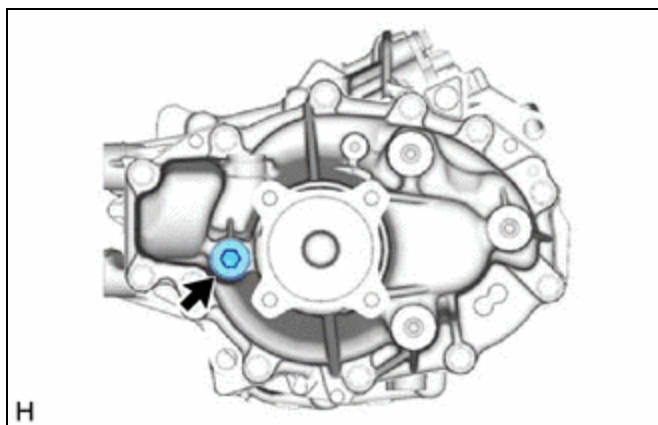
ON-VEHICLE INSPECTION

PROCEDURE

1. INSPECT HYBRID TRANSAXLE FLUID

Pre-procedure1

- (a) Using a 10 mm hexagon socket wrench, remove the filler plug and gasket from the rear traction motor with transaxle assembly.

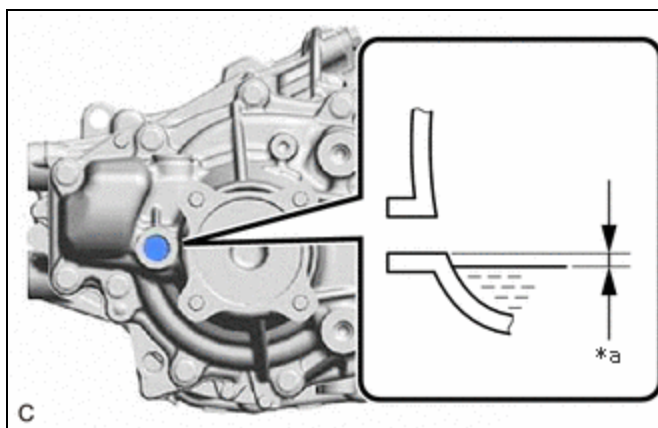


Procedure1

- (b) Check that the hybrid transaxle fluid level is between 0 to 5 mm (0 to 0.197 in.) from the bottom lip of the filler plug opening.

NOTICE:

- When inspecting the hybrid transaxle fluid, make sure that the vehicle is level.
- Be sure to directly check that the hybrid transaxle fluid level is within the specified range.
- Driving the vehicle with an insufficient or excessive amount of hybrid transaxle fluid may damage the rear traction motor with transaxle assembly.
- If the hybrid transaxle fluid was replaced or if hybrid transaxle fluid was added, make sure to recheck the hybrid transaxle fluid level after driving the vehicle.



*a	0 to 5 mm (0 to 0.197 in.)
----	----------------------------

Post-procedure1

- (c) Check for leaks if the hybrid transaxle fluid level is low. (If there are no hybrid transaxle fluid leaks but the hybrid transaxle fluid level is low, add hybrid transaxle fluid.)

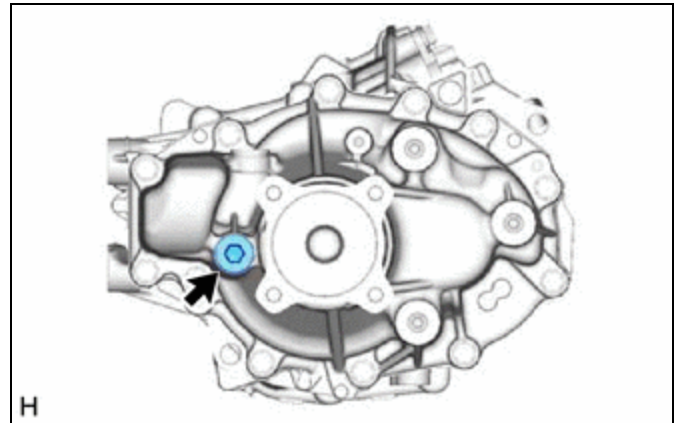
HINT:

[Click here](#) **INFO**

(d) Using a 10 mm hexagon socket wrench, install a new gasket and the filler plug to the rear traction motor with transaxle assembly.

Torque:

50 N·m {510 kgf·cm, 37 ft·lbf}



2. INSPECT FOR HYBRID TRANSAXLE FLUID LEAK

HINT:

[Click here](#) **INFO**

