

Last Modified: 12-04-2024	6.11:8.1.0	Doc ID: RM100000029YM7
Model Year Start: 2023	Model: Prius Prime	Prod Date Range: [12/2022 -]
Title: Q810 (HYBRID TRANSMISSION / TRANSAXLE): DIFFERENTIAL SIDE GEAR SHAFT: REMOVAL; 2023 - 2024 MY Prius Prius Prime [12/2022 -]		

REMOVAL

CAUTION / NOTICE / HINT

The necessary procedures (adjustment, calibration, initialization or registration) that must be performed after parts are removed and installed, or replaced during differential side gear shaft sub-assembly LH or differential side gear shaft sub-assembly RH removal/installation are shown below.

Necessary Procedures after parts removed/installed/replaced

REPLACED PART OR PERFORMED PROCEDURE	NECESSARY PROCEDURE	EFFECT/INOPERATIVE FUNCTION WHEN NECESSARY PROCEDURE NOT PERFORMED	LINK
Suspension parts	Rear television camera assembly optical axis (Back camera position setting)	Parking Assist Monitor System	INFO
	Parking assist ECU initialization	Panoramic View Monitor System	INFO
		Advanced Park	INFO
Tires	<ul style="list-style-type: none"> Initialization*1*2 Tire Position Identification*1*2 	Tire Pressure Warning System	Refer to Procedures Necessary When Replacing Parts (for Tire Pressure Warning System) table below INFO
	Rear television camera assembly optical axis (Back camera position setting)	Parking Assist Monitor System	INFO
	Parking assist ECU initialization	Panoramic View Monitor System	INFO
		Advanced Park	INFO
Rear wheel alignment adjustment	Perform "Calibration"	<ul style="list-style-type: none"> DTCs are stored ABS warning light illuminates Brake system warning light (yellow indicator) illuminates Slip indicator light illuminates 	INFO

*1: Also necessary after performing a tire rotation.

*2: It is not necessary to perform this procedure if the tire pressure warning valve and transmitters are installed to the same location.

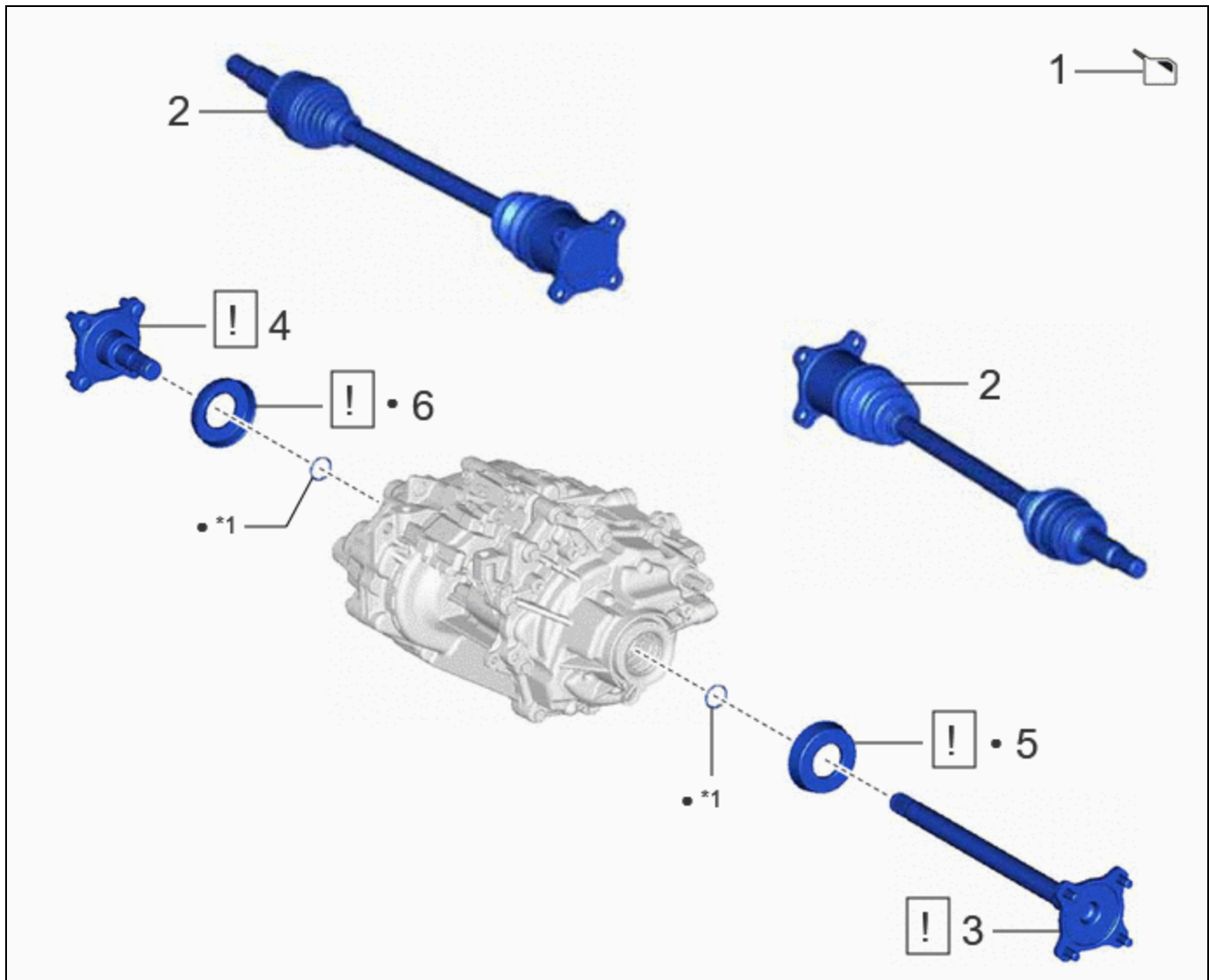
REPLACED PART OR PERFORMED PROCEDURE	NECESSARY PROCEDURE	EFFECT/INOPERATIVE FUNCTION WHEN NECESSARY PROCEDURE NOT PERFORMED	LINK
		<ul style="list-style-type: none"> Electronically controlled brake system disabled or malfunctions 	




*1: Also necessary after performing a tire rotation.

*2: It is not necessary to perform this procedure if the tire pressure warning valve and transmitters are installed to the same location.

CAUTION / NOTICE / HINT

COMPONENTS (REMOVAL)



	PROCEDURE	PART NAME CODE			
1	DRAIN HYBRID TRANSAXLE FLUID	-	-	INFO	-
2	REAR DRIVE SHAFT ASSEMBLY	-	-	-	-
3	DIFFERENTIAL SIDE GEAR SHAFT SUB-ASSEMBLY LH	41309L	INFO	-	-
4	DIFFERENTIAL SIDE GEAR SHAFT SUB-ASSEMBLY RH	41309K	INFO	-	-
5	DIFFERENTIAL SIDE GEAR SHAFT DUST COVER LH	41336M	INFO	-	-
6	DIFFERENTIAL SIDE GEAR SHAFT DUST COVER RH	41336L	INFO	-	-

*1	SNAP RING	-	-
•	Non-reusable part	-	-

PROCEDURE

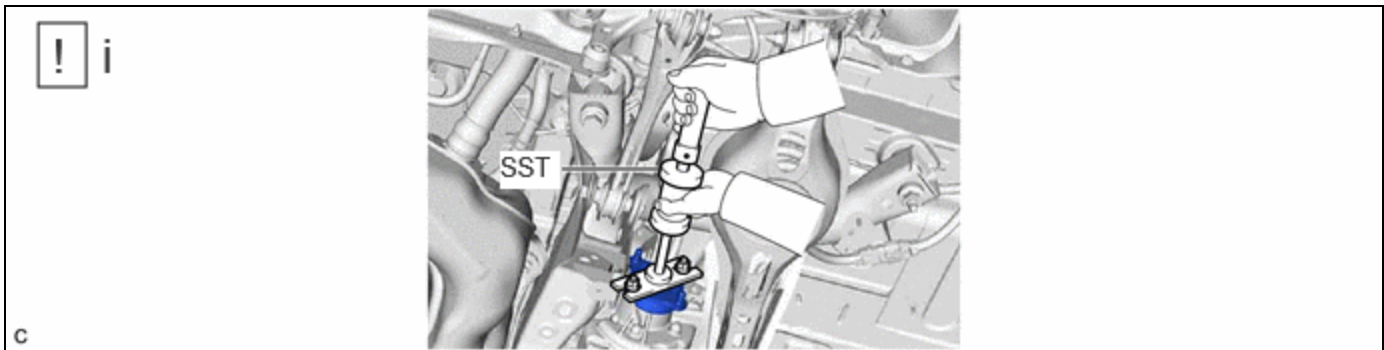
1. DRAIN HYBRID TRANSAXLE FLUID

Click here [INFO](#)

2. REMOVE REAR DRIVE SHAFT ASSEMBLY

Click here [INFO](#)

3. REMOVE DIFFERENTIAL SIDE GEAR SHAFT SUB-ASSEMBLY LH



(1) Secure SST to the differential side gear shaft sub-assembly LH with 2 nuts as shown in the illustration and remove the differential side gear shaft sub-assembly LH from the rear traction motor with transaxle assembly.

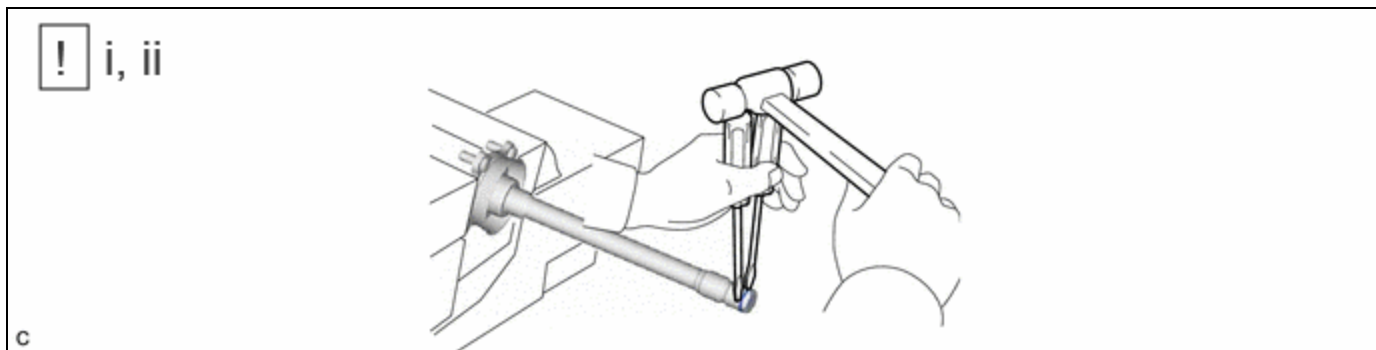
SST: 09520-24010

09520-04010

09520-32040

NOTICE:

Do not damage the differential side gear shaft type T oil seal LH.



(1) Secure the differential side gear shaft sub-assembly LH in a vise between aluminum plates.

NOTICE:

Do not overtighten the vise.

(2) Using 2 screwdrivers and a hammer, remove the snap ring from the differential side gear shaft sub-assembly LH.

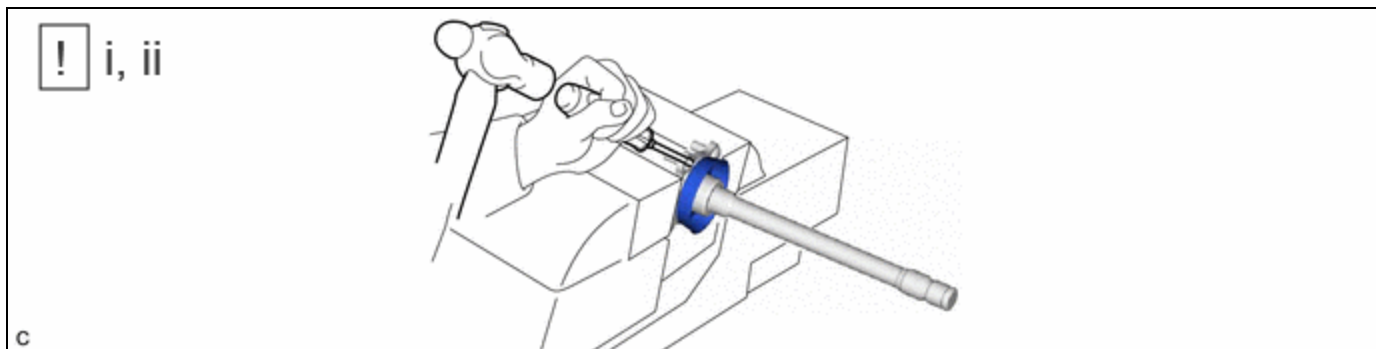
NOTICE:

Use a piece of cloth to keep the snap ring from flying off.

4. REMOVE DIFFERENTIAL SIDE GEAR SHAFT SUB-ASSEMBLY RH

(a) Perform the same procedure as for the LH side.

5. REMOVE DIFFERENTIAL SIDE GEAR SHAFT DUST COVER LH



(1) Secure the differential side gear shaft sub-assembly LH in a vise between aluminum plates.

NOTICE:

Do not overtighten the vise.

(2) Using a screwdriver and hammer, remove the differential side gear shaft dust cover LH from the differential side gear shaft sub-assembly LH.

NOTICE:

Do not damage the differential side gear shaft sub-assembly LH.

6. REMOVE DIFFERENTIAL SIDE GEAR SHAFT DUST COVER RH

(a) Perform the same procedure as for the LH side.

