

| | | |
|--|---------------------------|--------------------------------------|
| Last Modified: 12-04-2024 | 6.11:8.1.0 | Doc ID: RM10000002A07H |
| Model Year Start: 2023 | Model: Prius Prime | Prod Date Range: [12/2022 -] |
| Title: PA10/PB10/PB12 (HYBRID TRANSMISSION / TRANSAXLE): SHIFT LEVER: INSTALLATION; 2023 - 2024 MY Prius Prius Prime [12/2022 -] | | |

INSTALLATION

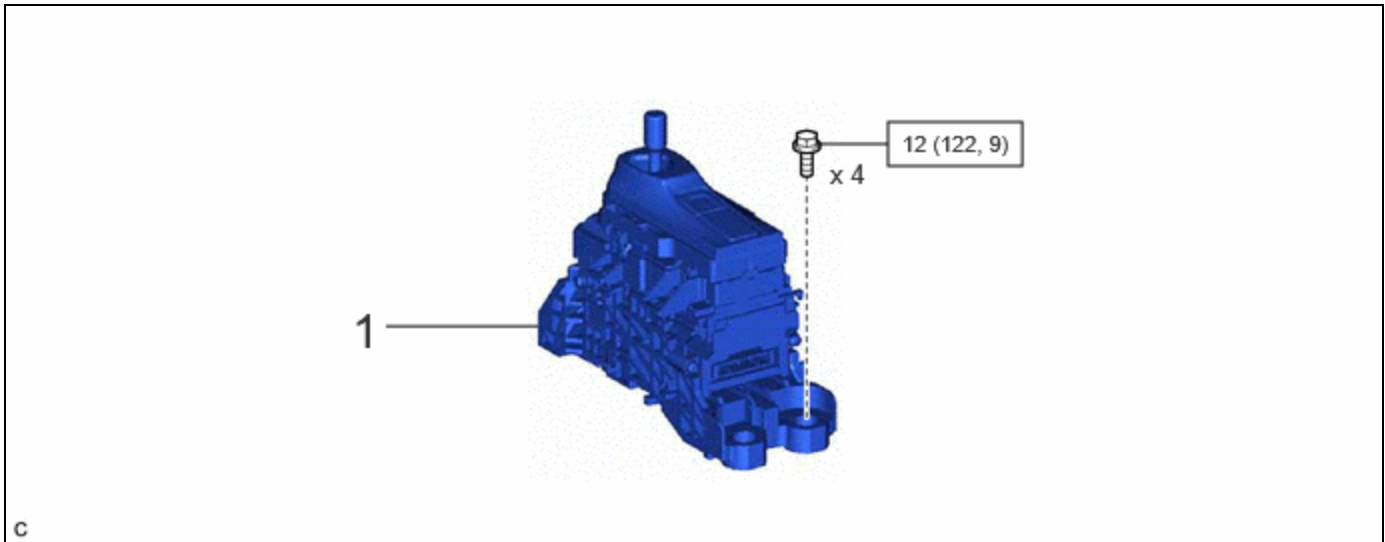
CAUTION / NOTICE / HINT

NOTICE:

After replacing the transmission floor shift assembly, make sure to perform update ECU security key.

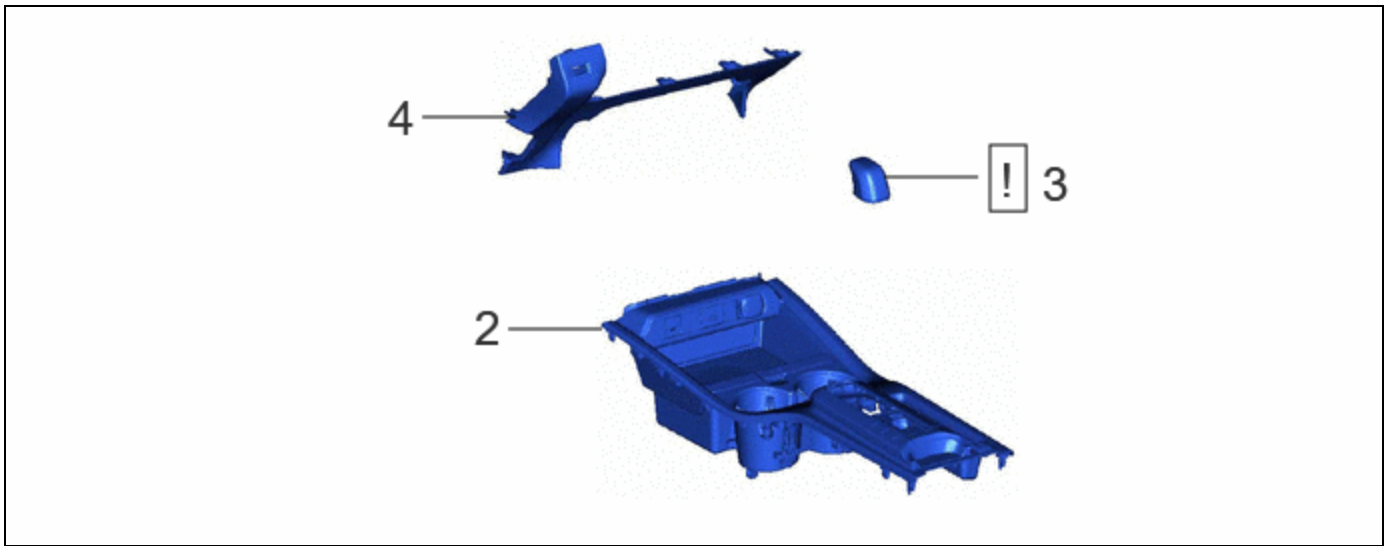
CAUTION / NOTICE / HINT

COMPONENTS (INSTALLATION)

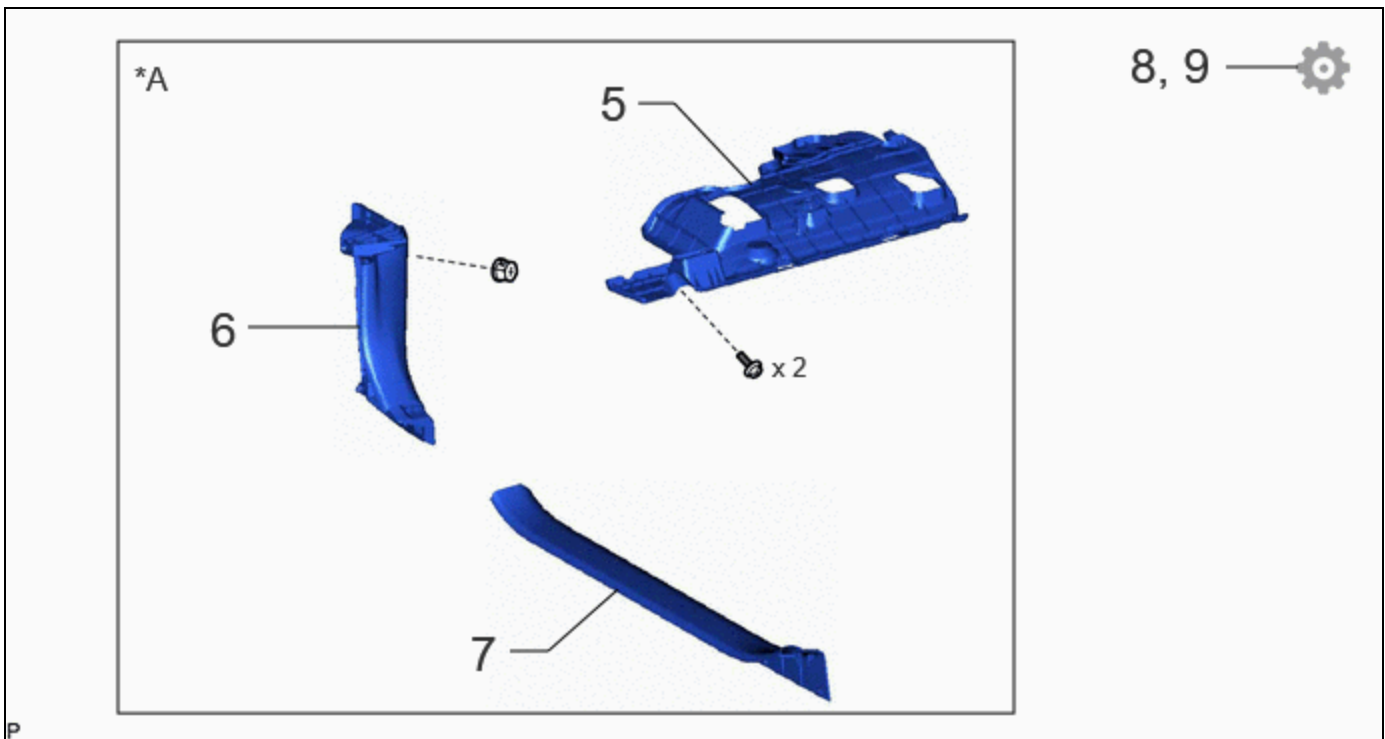





| | PROCEDURE | PART NAME CODE | | | |
|---|-----------------------------------|----------------|---|---|---|
| 1 | TRANSMISSION FLOOR SHIFT ASSEMBLY | 33550 | - | - | - |

| | | | |
|--|---|---|---|
| | N*m (kgf*cm, ft.*lbf): Specified torque | - | - |
|--|---|---|---|



| | PROCEDURE | PART NAME CODE | | | |
|---|--|----------------|--|---|---|
| 2 | UPPER CONSOLE PANEL SUB-ASSEMBLY | 58804A | - | - | - |
| 3 | SHIFT LEVER KNOB SUB-ASSEMBLY | 33504F | INFO | - | - |
| 4 | LOWER CENTER INSTRUMENT PANEL FINISH PANEL | 55434B | - | - | - |



| | PROCEDURE | PART NAME CODE |  |  |  |
|---|--|----------------|---|---|---|
| 5 | NO. 1 INSTRUMENT PANEL UNDER COVER SUB-ASSEMBLY | 55606 | - | - | - |
| 6 | COWL SIDE TRIM BOARD LH | 62112 | - | - | - |
| 7 | FRONT DOOR SCUFF PLATE LH | 67914 | - | - | - |
| 8 | UPDATE ECU SECURITY KEY | - | - | - | INFO |
| 9 | CONFIRMATION AFTER REPLACING TRANSMISSION FLOOR SHIFT ASSEMBLY | - | - | - | INFO |

| | | | |
|----|----------------|---|---|
| *A | w/ Knee Airbag | - | - |
|----|----------------|---|---|

PROCEDURE


1. INSTALL TRANSMISSION FLOOR SHIFT ASSEMBLY

Torque:

12 N·m {122 kgf·cm, 9 ft·lbf}

2. INSTALL UPPER CONSOLE PANEL SUB-ASSEMBLY

3. INSTALL SHIFT LEVER KNOB SUB-ASSEMBLY

| | |
|---|---------------------------------|
|  | Click here INFO |
|---|---------------------------------|

4. INSTALL LOWER CENTER INSTRUMENT PANEL FINISH PANEL

5. INSTALL NO. 1 INSTRUMENT PANEL UNDER COVER SUB-ASSEMBLY (w/ Knee Airbag)

6. INSTALL COWL SIDE TRIM BOARD LH (w/ Knee Airbag)

7. INSTALL FRONT DOOR SCUFF PLATE LH (w/ Knee Airbag)

8. UPDATE ECU SECURITY KEY

Click here [INFO](#)

9. CONFIRMATION AFTER REPLACING TRANSMISSION FLOOR SHIFT ASSEMBLY

(a) After replacing the transmission floor shift assembly, check for the following symptoms. If any symptoms are found, make sure to perform the procedure from step (b).

- The P position switch flashes when the shift state is other than P and the ignition switch is ON (IG) or ON (READY).
- The automatic P position function does not operate.
- The shift position is not displayed on the combination meter assembly until the shift state is changed.

(b) Turn the ignition switch to ON.

(c) Push the P position switch to change the shift state to P.

- (d) Turn the ignition switch to ON (READY).
- (e) Depress the brake pedal and operate the shift lever to change the shift state to D.
- (f) Check that the P position switch does not flash when the shift state is other than P and the ignition switch is ON (IG) or ON (READY).

NOTICE:

If the P position switch flashes, make sure to perform the procedure from step (b) to step (e) again.

