

Last Modified: 12-04-2024	6.11:8.1.0	Doc ID: RM10000002A07B
Model Year Start: 2023	Model: Prius Prime	Prod Date Range: [12/2022 -]
Title: PA10/PB10/PB12 (HYBRID TRANSMISSION / TRANSAXLE): HYBRID TRANSAXLE OIL SEAL: REPLACEMENT; 2023 - 2024 MY Prius Prius Prime [12/2022 -]		

REPLACEMENT

CAUTION / NOTICE / HINT

The necessary procedures (adjustment, calibration, initialization or registration) that must be performed after parts are removed and installed, or replaced during front drive shaft oil seal LH or front drive shaft oil seal RH removal/installation are shown below.

Necessary Procedures After Parts Removed/Installed/Replaced

REPLACED PART OR PERFORMED PROCEDURE	NECESSARY PROCEDURE	EFFECT/INOPERATIVE FUNCTION WHEN NECESSARY PROCEDURE NOT PERFORMED	LINK
Front wheel alignment adjustment	Perform "Calibration"	<ul style="list-style-type: none"> • DTCs are stored • ABS warning light illuminates • Brake system warning light (yellow indicator) illuminates • Slip indicator light illuminates • Electronically controlled brake system disabled or malfunctions 	INFO
Suspension parts	Rear television camera assembly optical axis (Back camera position setting)	Parking Assist Monitor System	INFO
	Parking assist ECU initialization	Panoramic View Monitor System	INFO
		Advanced Park	INFO
Tires	<ul style="list-style-type: none"> • Initialization*1*2 • Tire Position Identification*1*2 	Tire Pressure Warning System	Refer to Procedures Necessary When Replacing Parts (for Tire Pressure Warning System) table below INFO

*1: Also necessary after performing a tire rotation.

*2: It is not necessary to perform this procedure if the tire pressure warning valve and transmitters are installed to the same location.

*3: The vehicle height changes because of tire replacement.

REPLACED PART OR PERFORMED PROCEDURE	NECESSARY PROCEDURE	EFFECT/INOPERATIVE FUNCTION WHEN NECESSARY PROCEDURE NOT PERFORMED	LINK
	Rear television camera assembly optical axis (Back camera position setting)*3	Parking Assist Monitor System	INFO
	Parking assist ECU initialization*3	Panoramic View Monitor System	INFO
		Advanced Park	INFO

*1: Also necessary after performing a tire rotation.

*2: It is not necessary to perform this procedure if the tire pressure warning valve and transmitters are installed to the same location.

*3: The vehicle height changes because of tire replacement.

PROCEDURE

1. REMOVE FRONT DRIVE SHAFT ASSEMBLY

Click here [INFO](#)

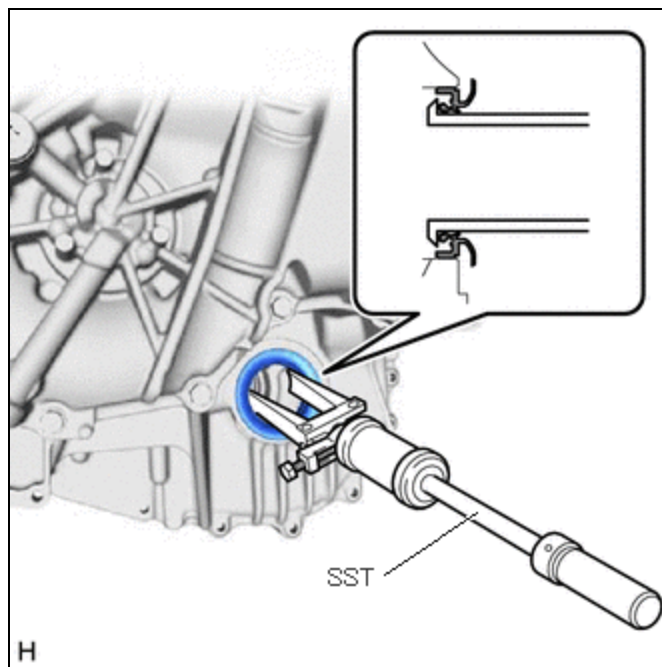
2. REMOVE FRONT DRIVE SHAFT OIL SEAL LH

- (a) Using SST, remove the front drive shaft oil seal LH from the hybrid vehicle transaxle assembly.

SST: 09308-00010

NOTICE:

Be careful not to damage the hybrid vehicle transaxle assembly.



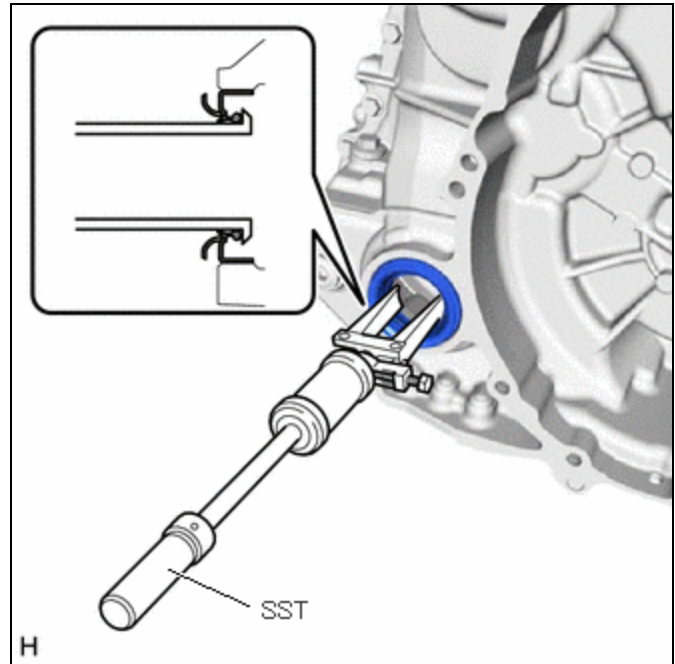
3. REMOVE FRONT DRIVE SHAFT OIL SEAL RH

- (a) Using SST, remove the front drive shaft oil seal RH from the hybrid vehicle transaxle assembly.

SST: 09308-00010

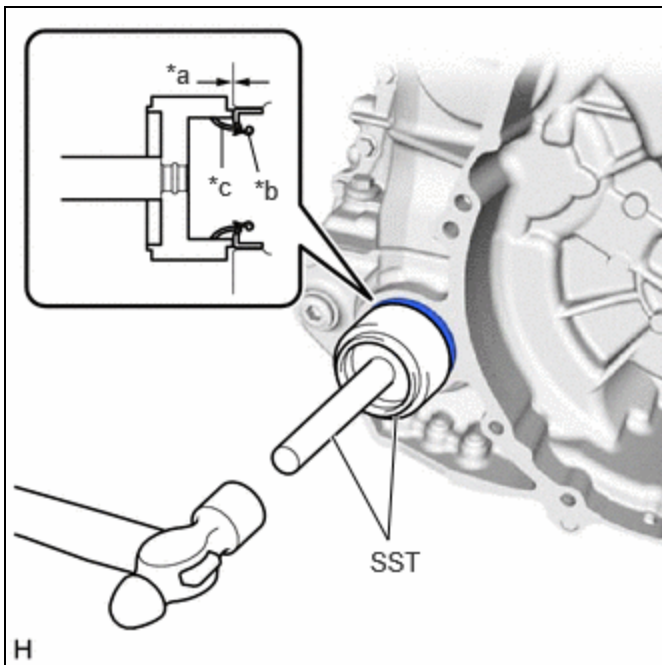
NOTICE:

Be careful not to damage the hybrid vehicle transaxle assembly.



4. INSTALL FRONT DRIVE SHAFT OIL SEAL RH

(a) Using SST and a hammer, install a new front drive shaft oil seal RH to the hybrid vehicle transaxle assembly.



*a	Depth
*b	Main Lip
*c	Side Lip

SST: 09316-10010

SST: 09950-70010

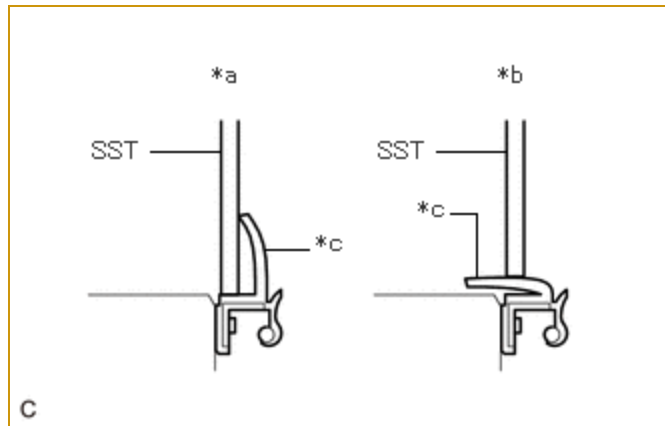
09951-07100

Standard Depth:

-0.5 to 0.5 mm (-0.0197 to 0.0197 in.)

NOTICE:

- Make sure that the side lip of the front drive shaft oil seal RH is not pinched by SST.



*a	Correct
*b	Incorrect
*c	Side Lip

- Do not allow foreign matter to attach to the main lip and side lip of the front drive shaft oil seal RH.
- Do not install the front drive shaft oil seal RH at an angle.
- Do not remove the grease from the main lip and side lip of the front drive shaft oil seal RH.

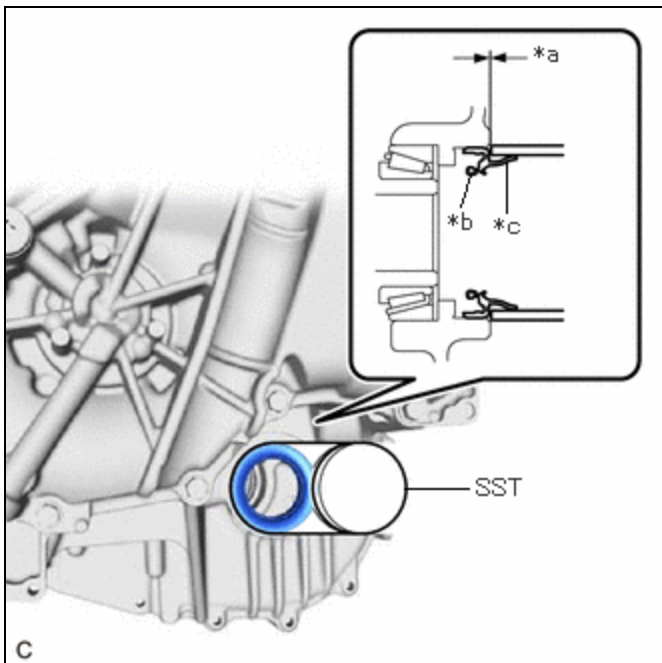
5. INSTALL FRONT DRIVE SHAFT OIL SEAL LH

(a) Using SST and a hammer, install a new front drive shaft oil seal LH to the hybrid vehicle transaxle assembly.

SST: 09506-42020

Standard Depth:

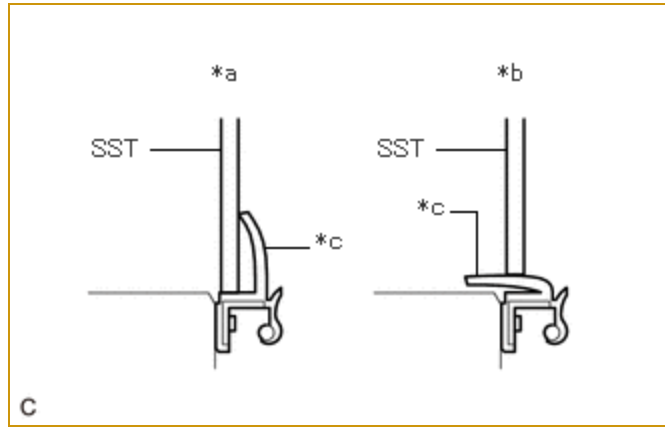
-0.5 to 0.5 mm (-0.0197 to 0.0197 in.)



*a	Depth
*b	Main Lip
*c	Side Lip

NOTICE:

- Make sure that the side lip of the front drive shaft oil seal LH is not pinched by SST.



*a	Correct
*b	Incorrect
*c	Side Lip

- Do not allow foreign matter to attach to the main lip and side lip of the front drive shaft oil seal LH.
- Do not install the front drive shaft oil seal LH at an angle.
- Do not remove the grease from the main lip and side lip of the front drive shaft oil seal LH.

6. INSTALL FRONT DRIVE SHAFT ASSEMBLY

Click here [INFO](#)

