

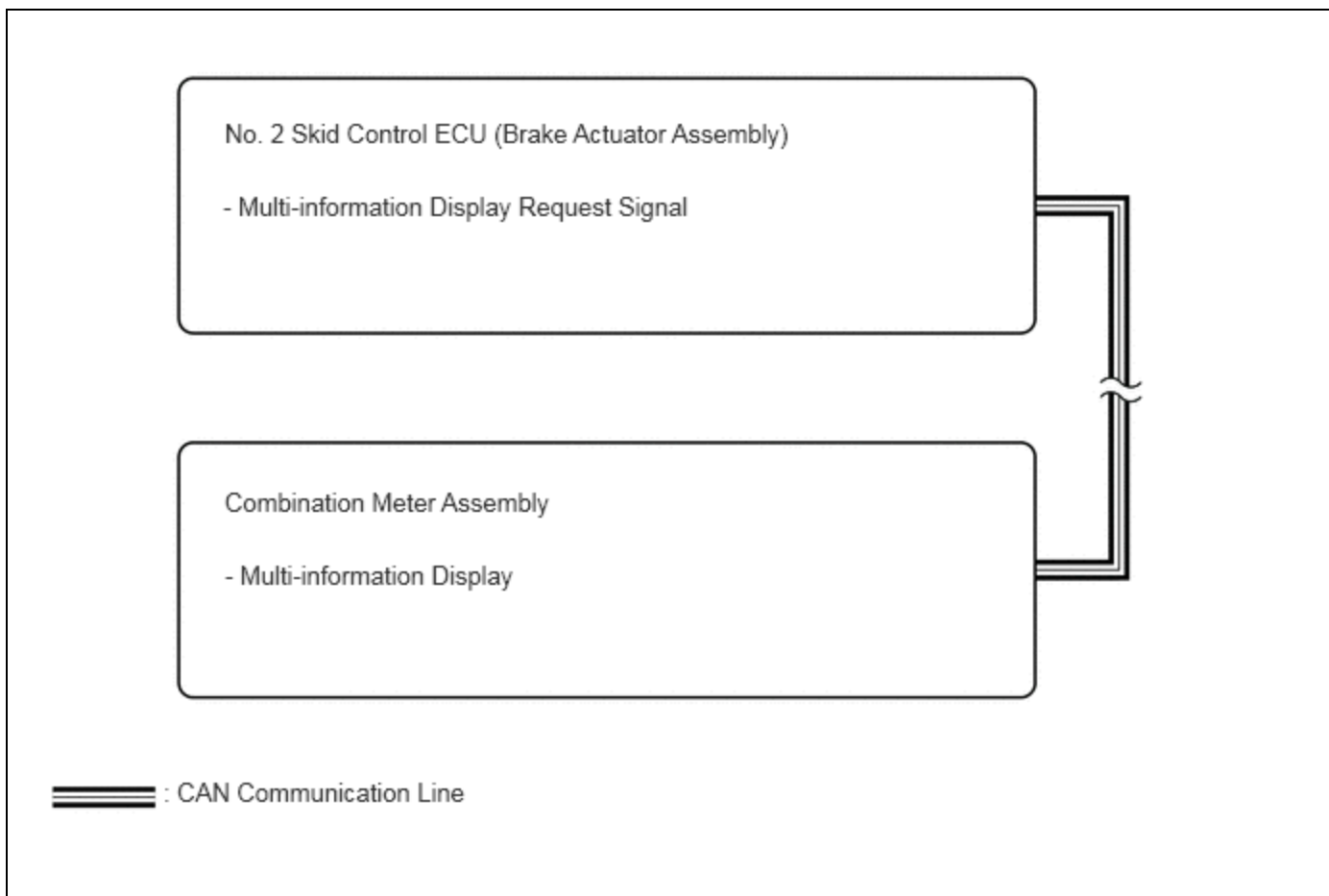
Last Modified: 12-04-2024	6.11:8.1.0	Doc ID: RM100000028P3Q
Model Year Start: 2023	Model: Prius Prime	Prod Date Range: [12/2022 -]
Title: PARKING BRAKE: ELECTRIC PARKING BRAKE SYSTEM: Message Not Displayed on Multi-information Display When AUTO Function Set to ON/OFF; 2023 - 2024 MY Prius Prius Prime [12/2022 -]		

Message Not Displayed on Multi-information Display When AUTO Function Set to ON/OFF

DESCRIPTION

When the AUTO function is set to ON/OFF, a message is displayed on the multi-information display in the combination meter assembly.

WIRING DIAGRAM



PROCEDURE

1. CHECK OPERATION OF AUTO FUNCTION

(a) Check that the AUTO function operates when the operating conditions are met.

HINT:

Do not use the multi-information display to determine whether the AUTO function is operating or not.

RESULT	PROCEED TO
The AUTO function operates	A
The AUTO function does not operate	B

A ► **REPLACE COMBINATION METER ASSEMBLY**

B ► **GO TO Electric Parking Brake System AUTO Function Circuit** [INFO](#)

