

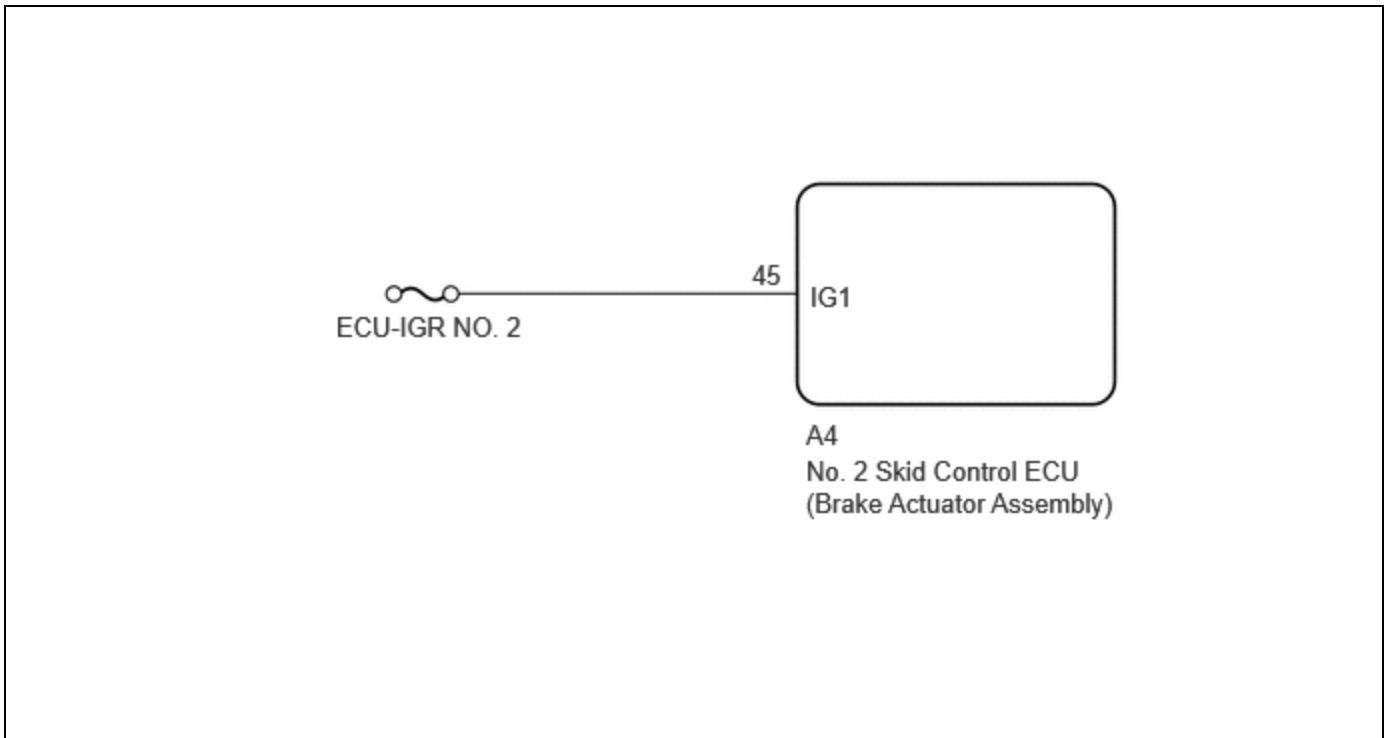
<b>Last Modified:</b> 12-04-2024	6.11:8.1.0	<b>Doc ID:</b> RM1000000028P3M
<b>Model Year Start:</b> 2023	<b>Model:</b> Prius Prime	<b>Prod Date Range:</b> [12/2022 - ]
<b>Title:</b> PARKING BRAKE: ELECTRIC PARKING BRAKE SYSTEM: C102014; Ignition Switch On/Start Position Circuit Short to Ground or Open; 2023 - 2024 MY Prius Prius Prime [12/2022 - ]		

<b>DTC</b>	<b>C102014</b>	<b>Ignition Switch On/Start Position Circuit Short to Ground or Open</b>
------------	----------------	--

## DESCRIPTION

DTC NO.	DETECTION ITEM	DTC DETECTION CONDITION	TROUBLE AREA	MEMORY	DTC OUTPUT FROM	PRIORITY	NOTE
C102014	Ignition Switch On/Start Position Circuit Short to Ground or Open	<ul style="list-style-type: none"> <li>• Diagnosis Condition: Ignition switch ON</li> <li>• Malfunction Status: When the ECM is communicating via CAN communication, IG power is not input to the No. 2 skid control ECU (brake actuator sub-assembly).</li> <li>• Detection Time: Approximately 15 seconds</li> </ul>	<ul style="list-style-type: none"> <li>• Wire harness and connector</li> <li>• No. 2 skid control ECU (brake actuator assembly)</li> </ul>	DTC stored	Brake/EPB	A	An electric parking brake system malfunction is displayed on the multi-information display.

## WIRING DIAGRAM



## CAUTION / NOTICE / HINT

**NOTICE:**

Inspect the fuses for circuits related to this system before performing the following procedure.

## PROCEDURE

<b>1.</b>	<b>CHECK HARNESS AND CONNECTOR (IG TERMINAL VOLTAGE)</b>
-----------	--

Pre-procedure1

- (a) Disconnect the A4 No. 2 skid control ECU (brake actuator assembly) connector.
- (b) Turn the ignition switch to ON.

Procedure1

- (c) Measure the voltage according to the value(s) in the table below.

Standard Voltage:



[Click Location & Routing\(A4\).](#)

[Click Connector\(A4\).](#)

TESTER CONNECTION	CONDITION	SPECIFIED CONDITION
A4-45 (IG1) - Body ground	Ignition switch ON	11 to 14 V

Post-procedure1

- (d) None

**OK** ▶ **REPLACE NO. 2 SKID CONTROL ECU (BRAKE ACTUATOR ASSEMBLY)** 

**NG** ▶ **REPAIR OR REPLACE HARNESS OR CONNECTOR**

