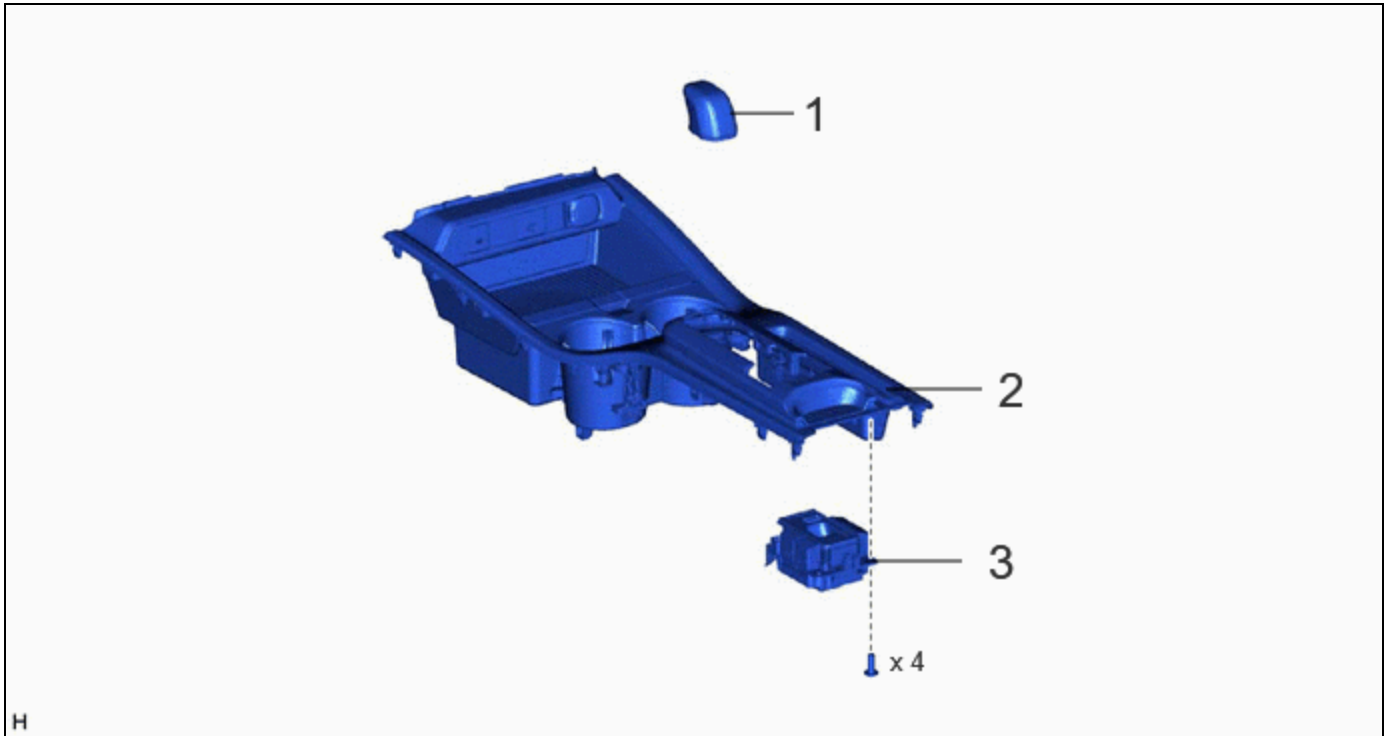


Last Modified: 12-04-2024	6.11:8.1.0	Doc ID: RM1000000029TCW
Model Year Start: 2023	Model: Prius Prime	Prod Date Range: [12/2022 -]
Title: PARKING BRAKE: ELECTRIC PARKING BRAKE SWITCH: REMOVAL; 2023 - 2024 MY Prius Prius Prime [12/2022 -]		

REMOVAL

CAUTION / NOTICE / HINT

COMPONENTS (REMOVAL)



	PROCEDURE	PART NAME CODE			
1	SHIFT LEVER KNOB SUB-ASSEMBLY	33504F	-	-	-
2	UPPER CONSOLE PANEL SUB-ASSEMBLY	58804A	-	-	-
3	ELECTRIC PARKING BRAKE SWITCH ASSEMBLY	84390B	-	-	-

PROCEDURE

1. REMOVE SHIFT LEVER KNOB SUB-ASSEMBLY

Click here [INFO](#)

2. REMOVE UPPER CONSOLE PANEL SUB-ASSEMBLY

Click here [INFO](#)

3. REMOVE ELECTRIC PARKING BRAKE SWITCH ASSEMBLY

