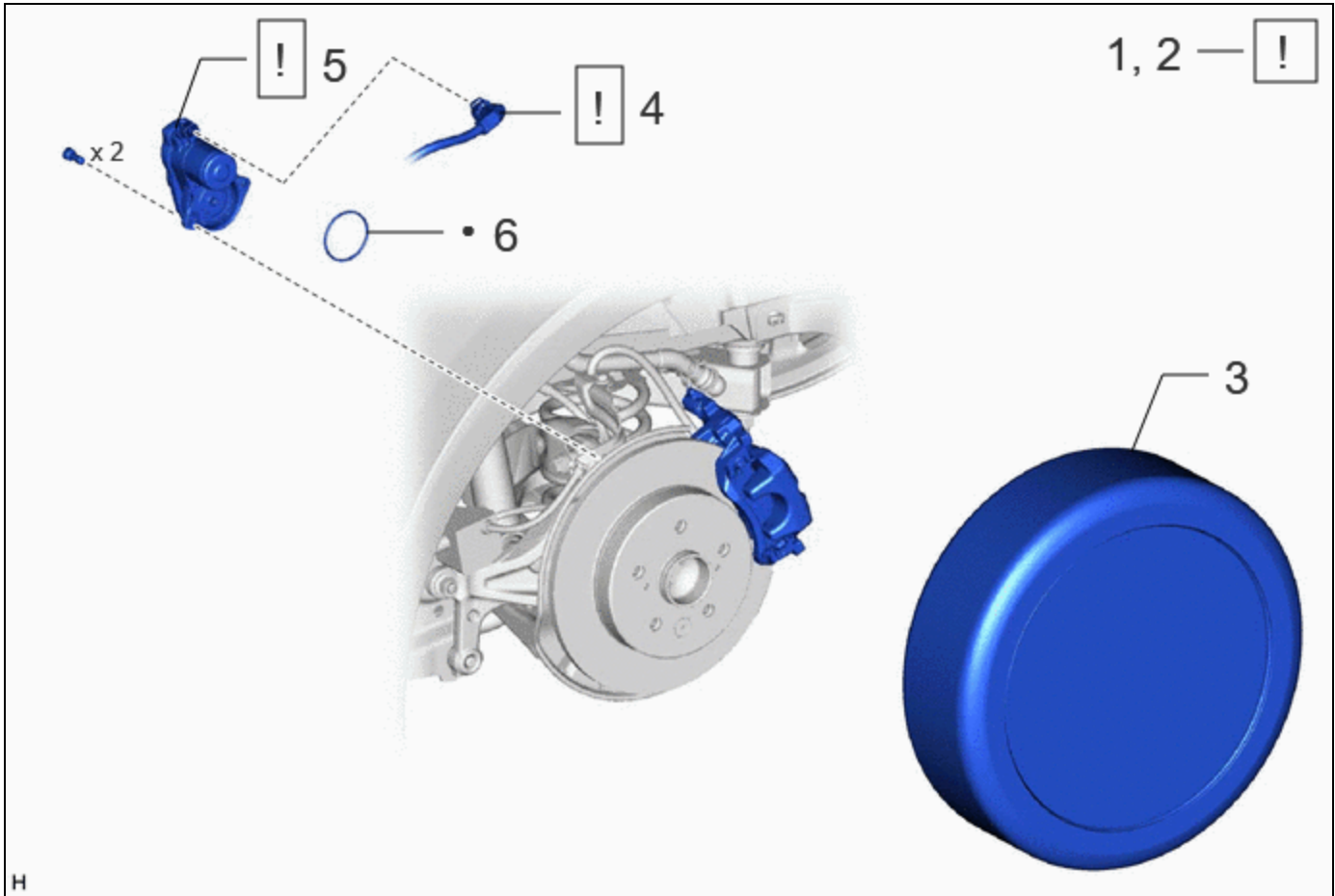


<b>Last Modified:</b> 12-04-2024	6.11:8.1.0	<b>Doc ID:</b> RM1000000029TCU
<b>Model Year Start:</b> 2023	<b>Model:</b> Prius Prime	<b>Prod Date Range:</b> [12/2022 - ]
<b>Title:</b> PARKING BRAKE: ELECTRIC PARKING BRAKE ACTUATOR: REMOVAL; 2023 - 2024 MY Prius Prius Prime [12/2022 - ]		

## REMOVAL

### CAUTION / NOTICE / HINT

#### COMPONENTS (REMOVAL)



PROCEDURE		PART NAME CODE			
1	PRECAUTION	-	<a href="#">INFO</a>	-	-
2	RELEASE PARKING BRAKE	-	<a href="#">INFO</a>	-	-
3	REAR WHEEL	-	-	-	-
4	NO. 2 PARKING BRAKE WIRE ASSEMBLY	890C0A	<a href="#">INFO</a>	-	-
5	PARKING BRAKE ACTUATOR ASSEMBLY	46310B	<a href="#">INFO</a>	-	-
6	PARKING BRAKE ACTUATOR SEAL	46310C	-	-	-

•	Non-reusable part	-	-
---	-------------------	---	---

## **CAUTION / NOTICE / HINT**

### **HINT:**

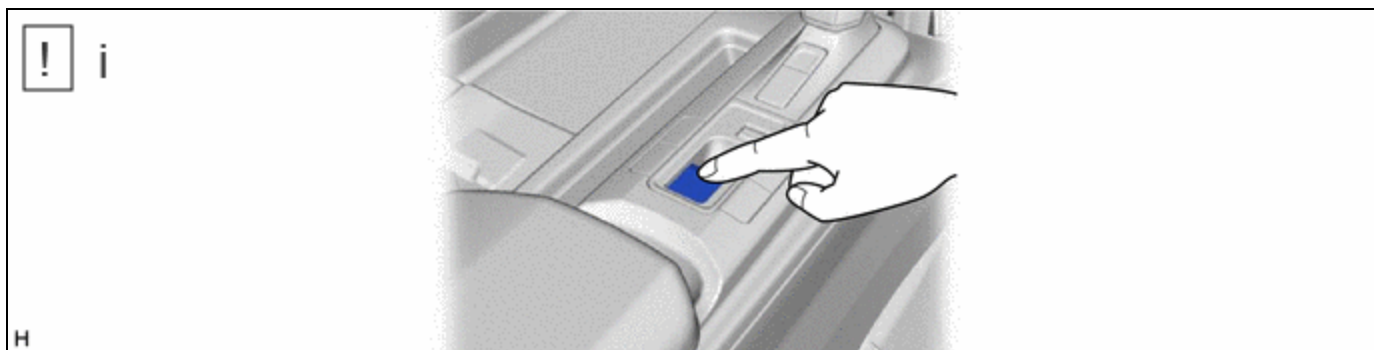
- Use the same procedure for the RH side and LH side.
- The following procedure is for the LH side.

## **PROCEDURE**

### **1. PRECAUTION**

Click here [INFO](#)

### **2. RELEASE PARKING BRAKE**



(1) Perform the following procedure.

1. Move the shift lever to P.
2. Turn the ignition switch to ON.
3. Operate the electric parking brake switch assembly to release the parking brake.

### **HINT:**

If the parking brake cannot be released:

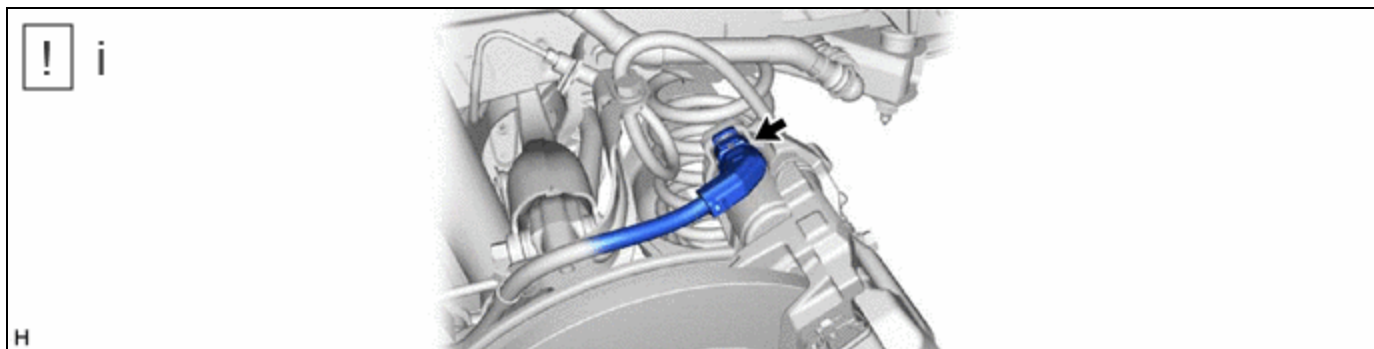
Click here [INFO](#)

4. Turn the ignition switch off.

### **3. REMOVE REAR WHEEL**

Click here [INFO](#)

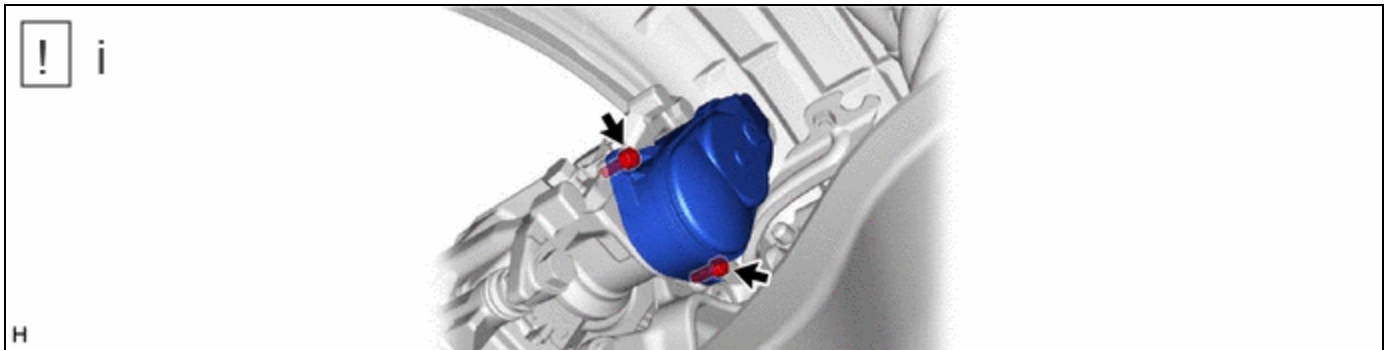
### **4. DISCONNECT NO. 2 PARKING BRAKE WIRE ASSEMBLY**



(1) Disconnect the No. 2 parking brake wire assembly connector from the parking brake actuator assembly.

**NOTICE:**

- Remove any dirt or foreign matter on and around the No. 2 parking brake wire assembly connector before performing this step.
- Do not allow water, oil or dirt to enter the No. 2 parking brake wire assembly connector.

**5. REMOVE PARKING BRAKE ACTUATOR ASSEMBLY**

- (1) Using a 5 mm hexagon socket wrench, remove the 2 bolts and parking brake actuator assembly from the rear disc brake cylinder assembly.

**NOTICE:**

- Check for brake fluid leaks on the back side of the rear disc brake cylinder assembly.
- If there are any brake fluid leaks, replace the rear disc brake cylinder assembly.

**6. REMOVE PARKING BRAKE ACTUATOR SEAL**