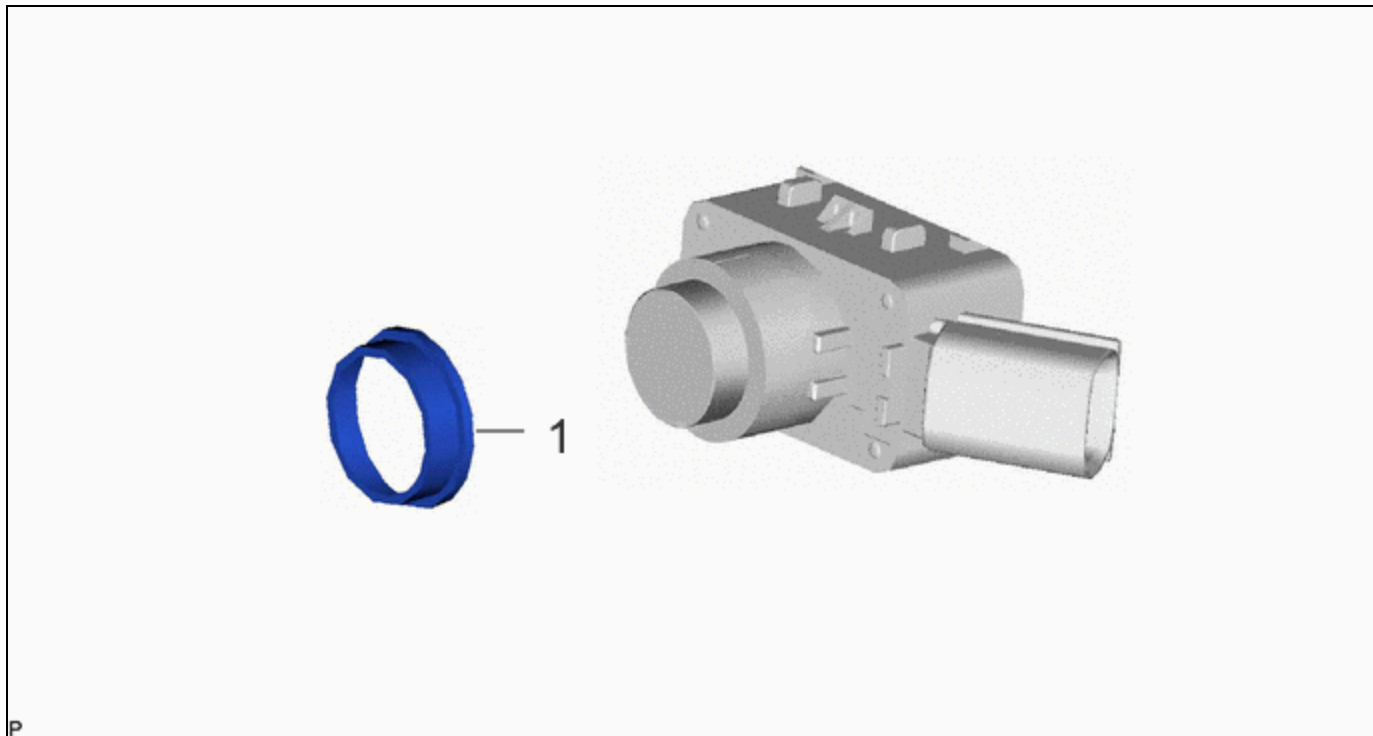





Last Modified: 12-04-2024	6.11:8.1.0	Doc ID: RM100000028Q2G
Model Year Start: 2023	Model: Prius Prime	Prod Date Range: [12/2022 -]
Title: PARK ASSIST / MONITORING: ULTRASONIC SENSOR (for Rear): INSTALLATION; 2023 - 2024 MY Prius Prius Prime [12/2022 -]		

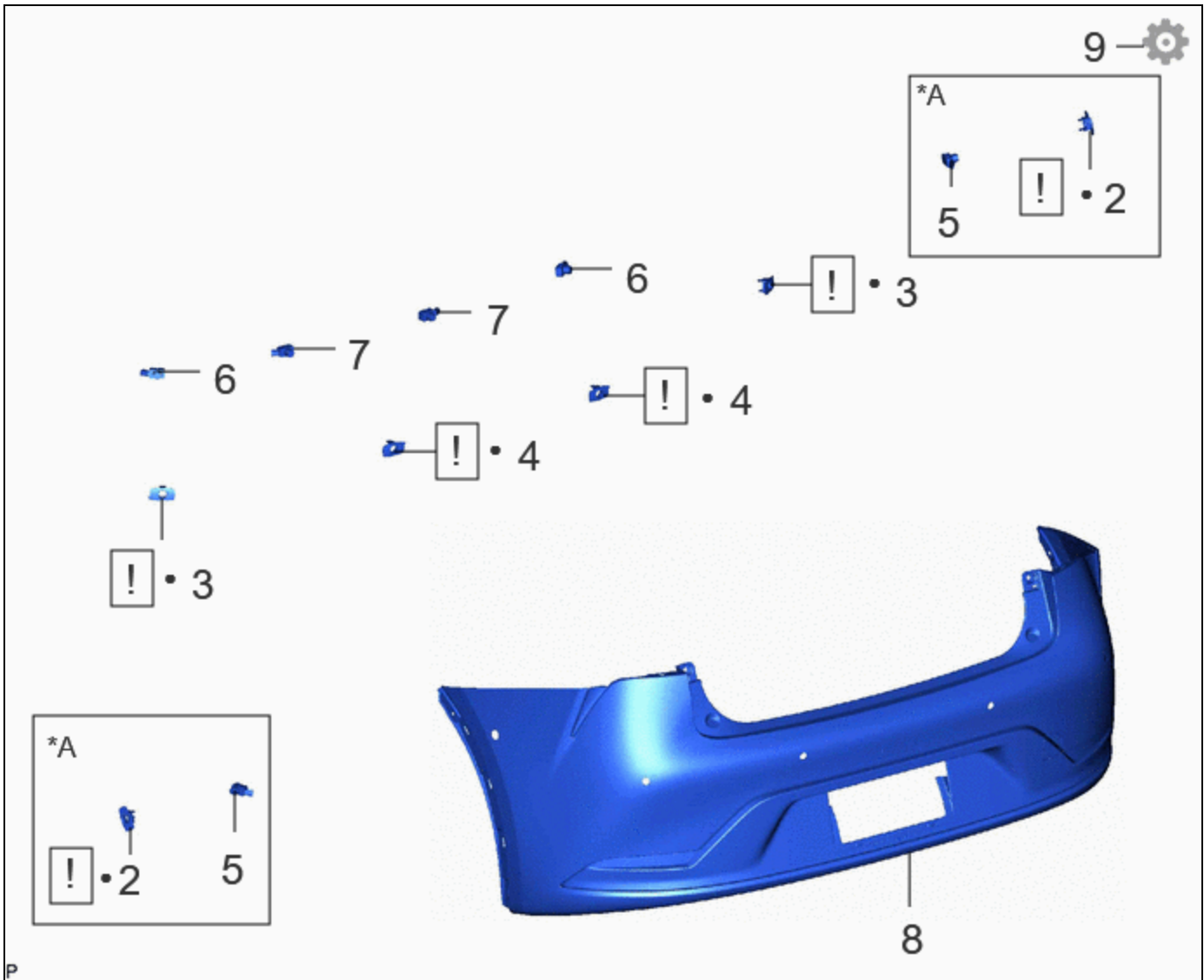
INSTALLATION

CAUTION / NOTICE / HINT

COMPONENTS (INSTALLATION)



	PROCEDURE	PART NAME CODE			
1	ULTRASONIC SENSOR CUSHION SET	89305	-	-	-



	PROCEDURE	PART NAME CODE	!		
2	REAR SIDE ULTRASONIC SENSOR RETAINER	89C48C	INFO	-	-
3	REAR CORNER ULTRASONIC SENSOR RETAINER	89C48A	INFO	-	-
4	REAR CENTER ULTRASONIC SENSOR RETAINER	89C48B	INFO	-	-
5	REAR SIDE ULTRASONIC SENSOR	89342B	-	-	-
6	REAR CORNER ULTRASONIC SENSOR	89342	-	-	-
7	REAR CENTER ULTRASONIC SENSOR	89342A	-	-	-
8	REAR BUMPER ASSEMBLY	-	-	-	-
9	PERFORM CALIBRATION	-	-	-	INFO

*A	w/ Advanced Park	-	-
•	Non-reusable part	-	-

PROCEDURE

1. INSTALL ULTRASONIC SENSOR CUSHION SET

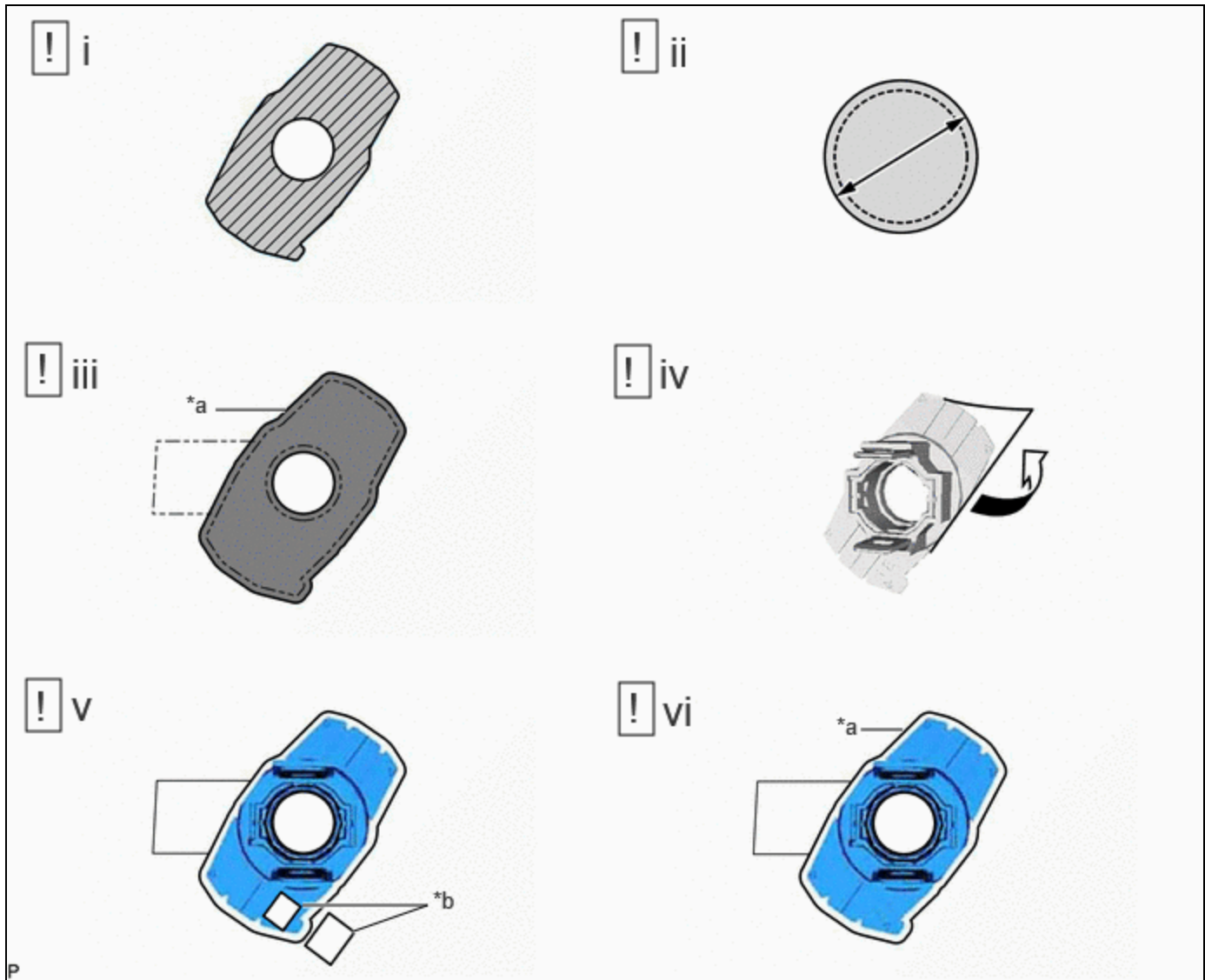
HINT:



Perform this procedure only when replacement of the ultrasonic sensor cushion set is necessary.

2. INSTALL REAR SIDE ULTRASONIC SENSOR RETAINER (w/ Advanced Park)

HINT:

- Perform this procedure only when replacement of the rear side ultrasonic sensor retainer is necessary.
- If a rear side ultrasonic sensor retainer has been removed, replace it with a new one.



*a	Scribed Line	*b	Identification Code
	Cleaning Area		Primer

(1) Clean the surface of the rear bumper assembly.

1. Remove any remaining double-sided tape from the rear bumper assembly.

NOTICE:

- Installing the rear side ultrasonic sensor retainer with some double-sided tape remaining may cause poor adhesion. Perform this procedure until the tape is sufficiently removed.
- Make sure to use a cloth when removing. Using a screwdriver, etc., may cause damage and poor adhesion.

2. Wipe off any adhesive residue with cleaner.

(2) Cover the sensor installation hole with a 26 mm (1.02 in.) circular piece of tape.

NOTICE:

If the primer contacts a painted surface, it may leave light primer marks. Therefore, use protective tape when using liquid primer.

(3) Apply primer to the installation area of the rear side ultrasonic sensor retainer on the rear bumper assembly.

1. Using a brush or felt, apply primer or equivalent to the rear side ultrasonic sensor retainer installation area.

NOTICE:

- Replace the brush or felt if it is dirty or has become hardened.
- Do not apply primer to the painted side.
- Do not touch the rear bumper assembly until the primer has dried.

2. Let the primer dry sufficiently.

NOTICE:

Do not touch applied surfaces until the primer is dry.

Recommended drying time:

10 minutes or more (at 23°C (73°F))

3. Confirm that the primer has completely dried by touching the rear bumper assembly. Then remove the tape.

(4) Peel off the release paper from a new rear side ultrasonic sensor retainer.

NOTICE:

After removing the release paper, do not touch the surface of the tape with your fingers or cotton work gloves.

(5) Check that the identification codes on the rear bumper assembly and the rear side ultrasonic sensor retainer are identical.

(6) Align the rear side ultrasonic sensor retainer with the mark on the rear bumper assembly and install it as shown in the illustration.

NOTICE:

The application strength of the rear side ultrasonic sensor retainer will weaken if reapplied. If reapplication is necessary, be sure to replace it with a new one.

HINT:

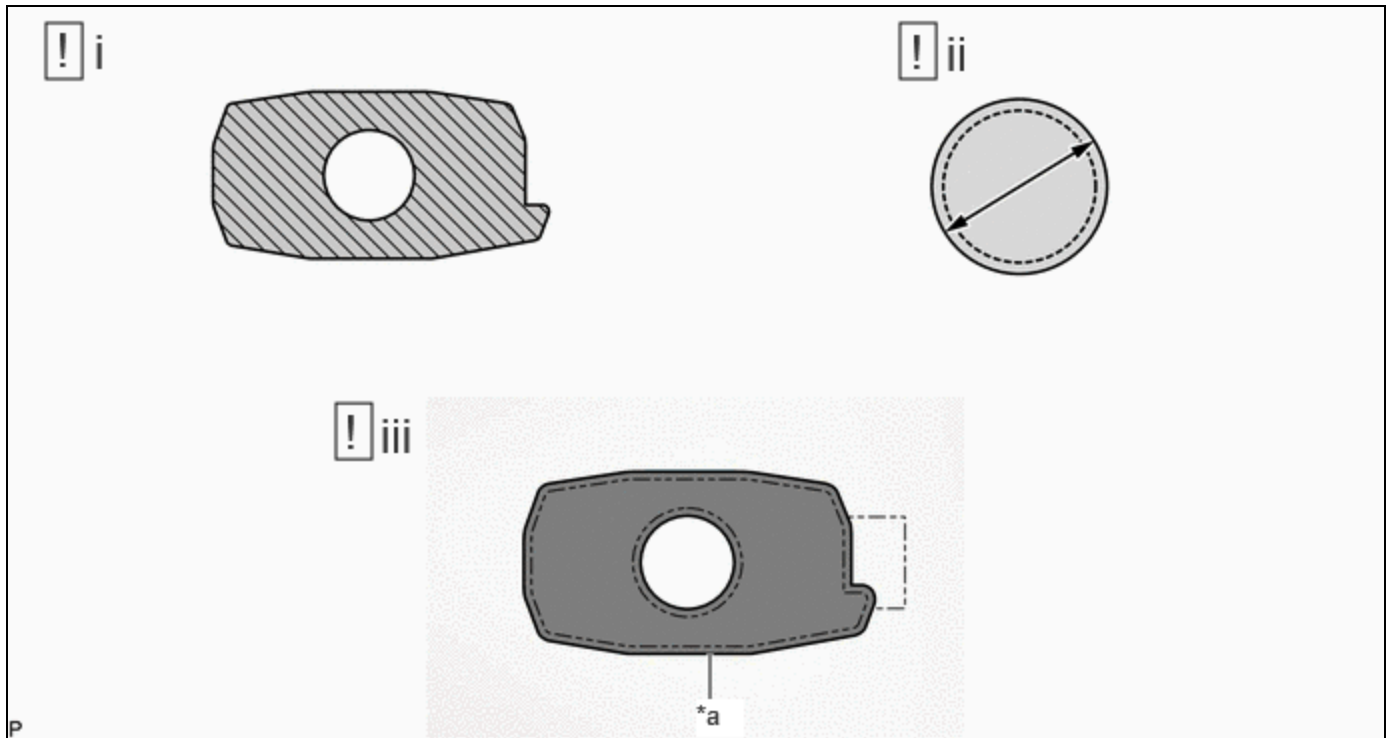
- Apply pressure so that it does not lift up from the rear bumper assembly.
- Pushing force: 50 N (5.1 kgf) for 3 seconds

(b) The orientation for the RH side is the opposite of the LH side.

3. INSTALL REAR CORNER ULTRASONIC SENSOR RETAINER

HINT:

- Perform this procedure only when replacement of the rear corner ultrasonic sensor retainer is necessary.
- If a rear corner ultrasonic sensor retainer has been removed, replace it with a new one. Temporarily install the rear corner ultrasonic sensor with a new rear corner ultrasonic sensor retainer as a set to the rear bumper assembly.



*a	Scribed Line	-	-
	Cleaning Area		Primer

(1) Clean the surface of the rear bumper assembly.

1. Remove any remaining double-sided tape from the rear bumper assembly.

NOTICE:

- Installing the rear corner ultrasonic sensor retainer with some double-sided tape remaining may cause poor adhesion. Perform this procedure until the tape is sufficiently removed.
- Make sure to use a cloth when removing. Using a screwdriver, etc., may cause damage and poor adhesion.

2. Wipe off any adhesive residue with cleaner.

(2) Cover the sensor installation hole with a 20 mm (0.787 in.) circular piece of tape.

NOTICE:

If the primer contacts a painted surface, it may leave light primer marks. Therefore, use protective tape when using liquid primer.

(3) Apply primer to the installation area of the rear corner ultrasonic sensor retainer on the rear bumper assembly.

1. Using a brush or felt, apply primer or equivalent to the rear corner ultrasonic sensor retainer installation area.

NOTICE:

- Replace the brush or felt if it is dirty or has become hardened.
- Do not apply primer to the painted side.
- Do not touch the rear bumper assembly until the primer has dried.

2. Let the primer dry sufficiently.

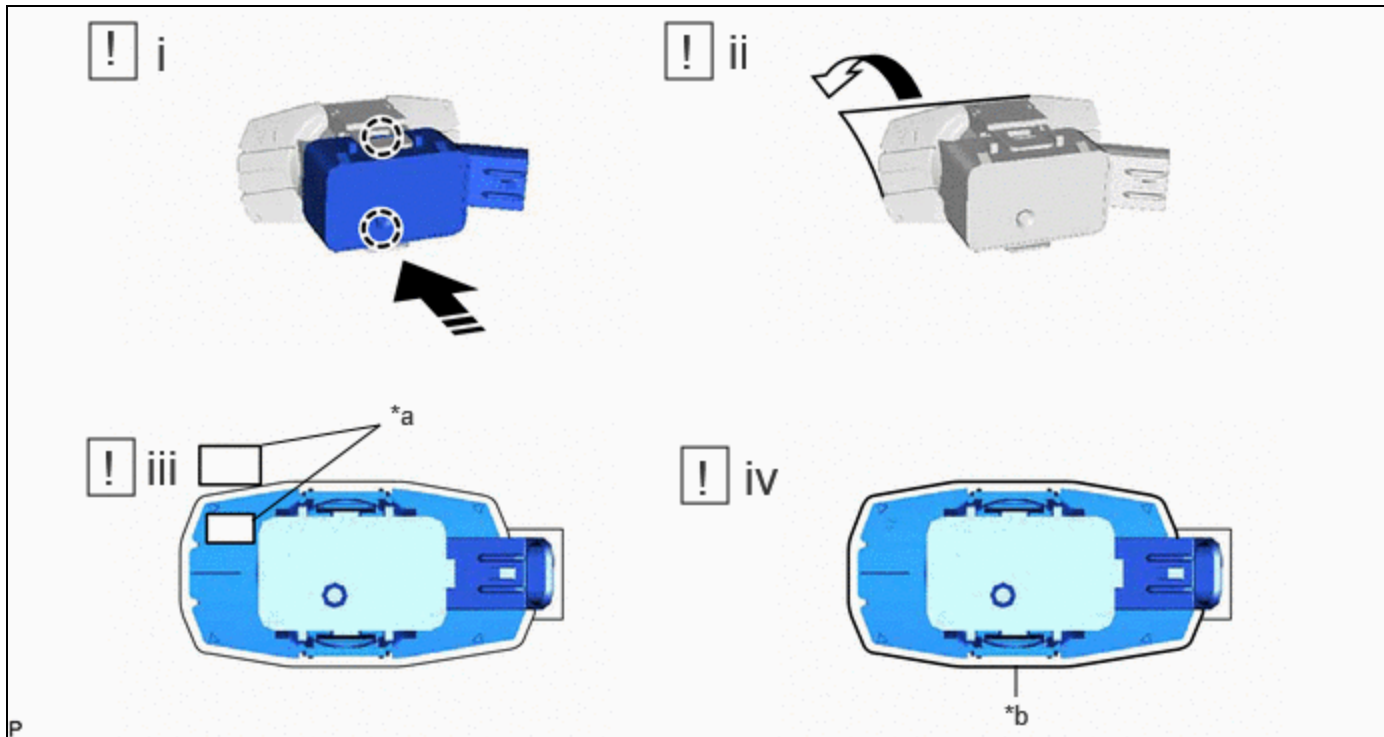
NOTICE:

Do not touch applied surfaces until the primer is dry.

Recommended drying time:

10 minutes or more (at 23°C (73°F))

3. Confirm that the primer has completely dried by touching the rear bumper assembly. Then remove the tape.



*a	Identification Code	*b	Scribed Line
	Install in this Direction	-	-

- (1) Engage the 2 claws to install the rear corner ultrasonic sensor to a new rear corner ultrasonic sensor retainer as shown in the illustration.
- (2) Peel off the release paper from the rear corner ultrasonic sensor retainer.

NOTICE:

After removing the release paper, do not touch the surface of the tape with your fingers or cotton work gloves.

- (3) Check that the identification codes on the rear bumper assembly and the rear corner ultrasonic sensor retainer are identical.
- (4) Align the rear corner ultrasonic sensor retainer with the mark on the rear bumper assembly and install it as shown in the illustration.

NOTICE:

The application strength of the rear corner ultrasonic sensor retainer will weaken if reapplied. If reapplication is necessary, be sure to replace it with a new one.

HINT:

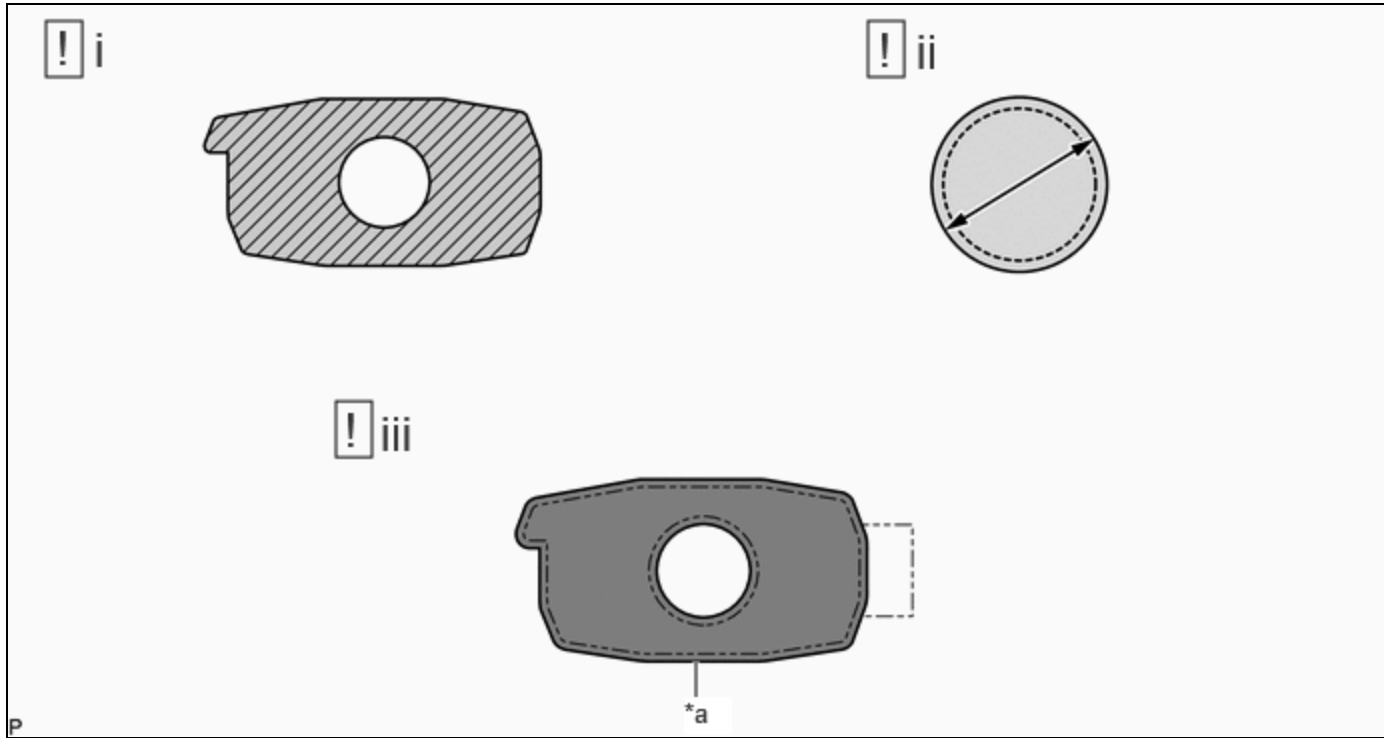
- Apply pressure so that it does not lift up from the rear bumper assembly.
- Pushing force: 50 N (5.1 kgf) for 3 seconds

(c) The orientation for the RH side is the opposite of the LH side.

4. INSTALL REAR CENTER ULTRASONIC SENSOR RETAINER

HINT:

- Perform this procedure only when replacement of the rear center ultrasonic sensor retainer is necessary.
- If a rear center ultrasonic sensor retainer has been removed, replace it with a new one. Temporarily install the rear center ultrasonic sensor with a new rear center ultrasonic sensor retainer as a set to the rear bumper assembly.



*a	Scribed Line	-	-
	Cleaning Area		Primer

(1) Clean the surface of the rear bumper assembly.

1. Remove any remaining double-sided tape from the rear bumper assembly.

NOTICE:

- Installing the rear center ultrasonic sensor retainer with some double-sided tape remaining may cause poor adhesion. Perform this procedure until the tape is sufficiently removed.
- Make sure to use a cloth when removing. Using a screwdriver, etc., may cause damage and poor adhesion.

2. Wipe off any adhesive residue with cleaner.

(2) Cover the sensor installation hole with a 20 mm (0.787 in.) circular piece of tape.

NOTICE:

If the primer contacts a painted surface, it may leave light primer marks. Therefore, use protective tape when using liquid primer.

(3) Apply primer to the installation area of the rear center ultrasonic sensor retainer on the rear bumper assembly.

1. Using a brush or felt, apply primer or equivalent to the rear center ultrasonic sensor retainer installation area.

NOTICE:

- Replace the brush or felt if it is dirty or has become hardened.
- Do not apply primer to the painted side.
- Do not touch the rear bumper assembly until the primer has dried.

2. Let the primer dry sufficiently.

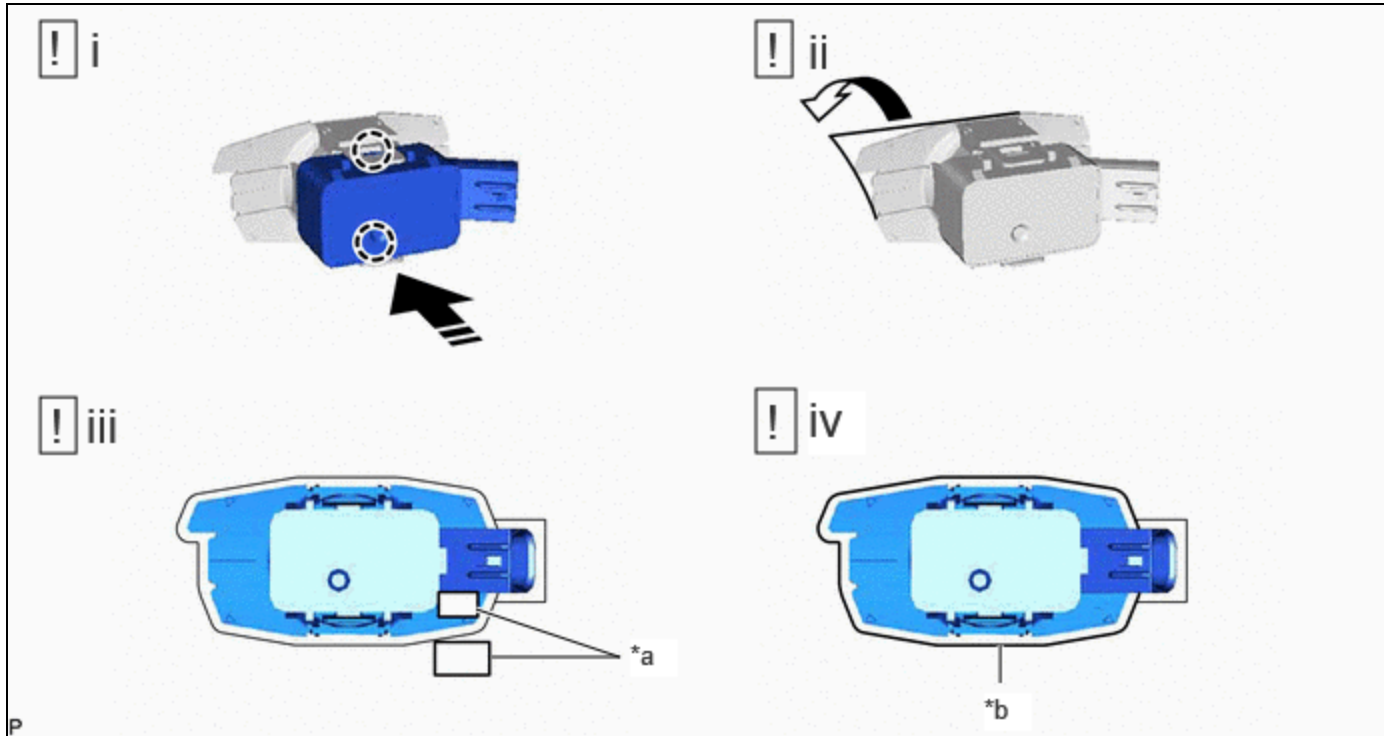
NOTICE:

Do not touch applied surfaces until the primer is dry.

Recommended drying time:

10 minutes or more (at 23°C (73°F))

3. Confirm that the primer has completely dried by touching the rear bumper assembly. Then remove the tape.



*a	Identification Code	*b	Scribed Line
	Install in this Direction	-	-

(1) Engage the 2 claws to install the rear center ultrasonic sensor to a new rear center ultrasonic sensor retainer as shown in the illustration.

(2) Peel off the release paper from the rear center ultrasonic sensor retainer.

NOTICE:

After removing the release paper, do not touch the surface of the tape with your fingers or cotton work gloves.

(3) Check that the identification codes on the rear bumper assembly and the rear center ultrasonic sensor retainer are identical.

(4) Align the rear center ultrasonic sensor retainer with the mark on the rear bumper assembly and install it as shown in the illustration.

NOTICE:

The application strength of the rear center ultrasonic sensor retainer will weaken if reapplied. If reapplication is necessary, be sure to replace it with a new one.

HINT:

- Apply pressure so that it does not lift up from the rear bumper assembly.
- Pushing force: 50 N (5.1 kgf) for 3 seconds

(c) Use the same procedure for the RH side and LH side.

5. INSTALL REAR SIDE ULTRASONIC SENSOR (w/ Advanced Park)

6. INSTALL REAR CORNER ULTRASONIC SENSOR

7. INSTALL REAR CENTER ULTRASONIC SENSOR

8. INSTALL REAR BUMPER ASSEMBLY

Click here [INFO](#)

9. PERFORM CALIBRATION

SST: 09989-00020

(a) w/ Parking Support Brake System:

(1) Click here [INFO](#)

(2) w/ Advanced Park:

Click here [INFO](#)

(b) w/o Parking Support Brake System:

Click here [INFO](#)

