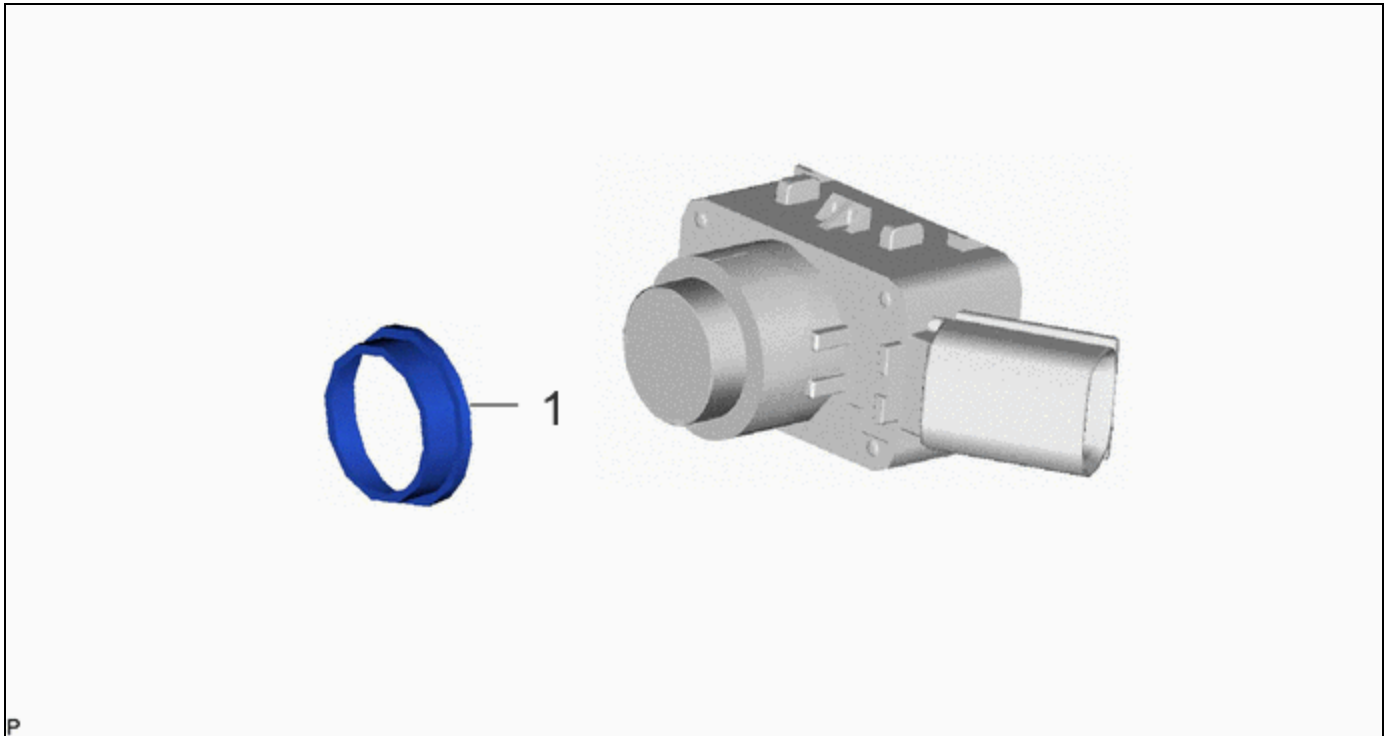


Last Modified: 12-04-2024	6.11:8.1.0	Doc ID: RM100000028Q2D
Model Year Start: 2023	Model: Prius Prime	Prod Date Range: [12/2022 -]
Title: PARK ASSIST / MONITORING: ULTRASONIC SENSOR (for Front): INSTALLATION; 2023 - 2024 MY Prius Prius Prime [12/2022 -]		

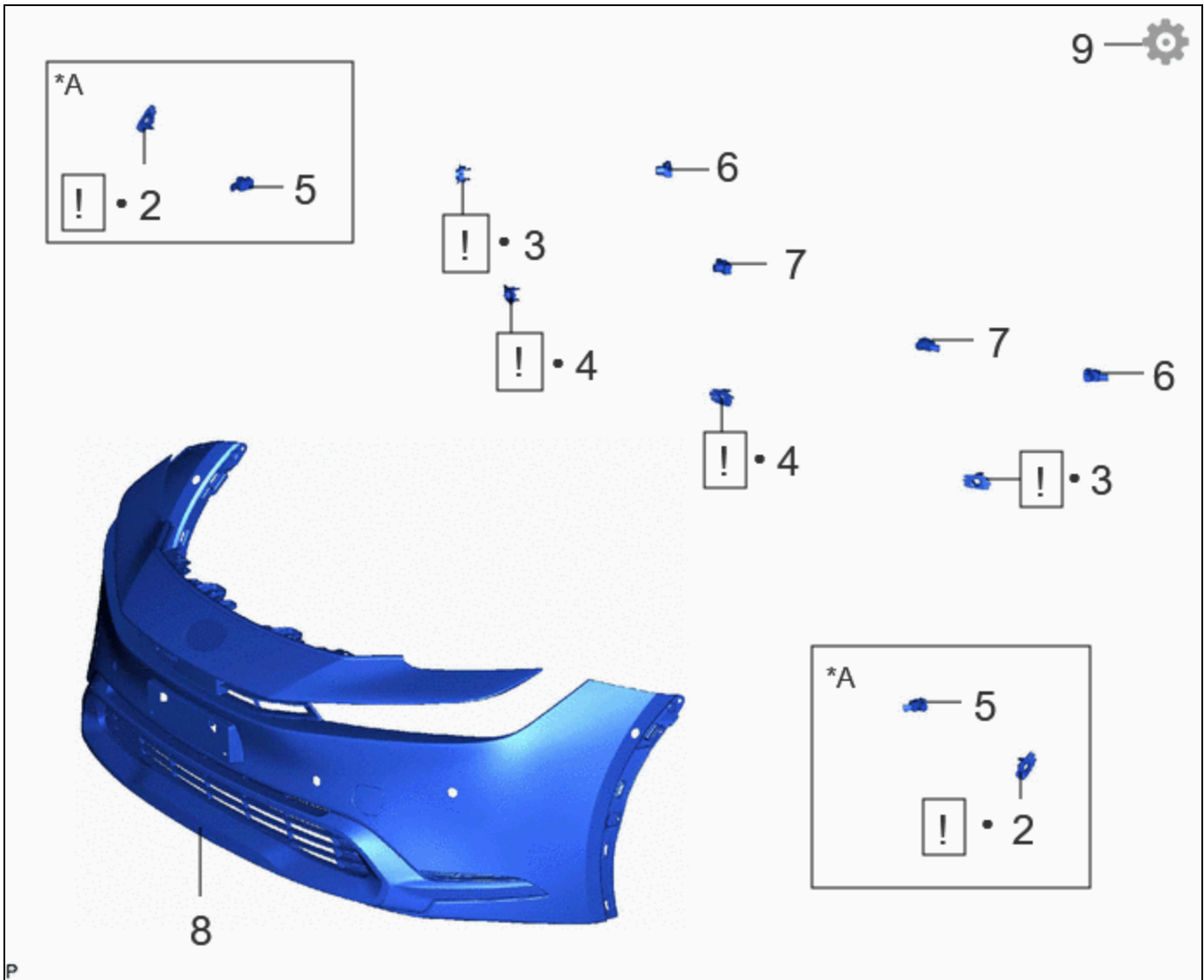
INSTALLATION

CAUTION / NOTICE / HINT

COMPONENTS (INSTALLATION)



	PROCEDURE	PART NAME CODE			
1	ULTRASONIC SENSOR CUSHION SET	89305	-	-	-



PROCEDURE		PART NAME CODE			
2	FRONT SIDE ULTRASONIC SENSOR RETAINER	89C48F	INFO	-	-
3	FRONT CORNER ULTRASONIC SENSOR RETAINER	89C48D	INFO	-	-
4	FRONT CENTER ULTRASONIC SENSOR RETAINER	89C48E	INFO	-	-
5	FRONT SIDE ULTRASONIC SENSOR	89341M	-	-	-
6	FRONT CORNER ULTRASONIC SENSOR	89341K	-	-	-
7	FRONT CENTER ULTRASONIC SENSOR	89341L	-	-	-
8	FRONT BUMPER ASSEMBLY	-	-	-	-
9	PERFORM CALIBRATION	-	-	-	INFO

*A	w/ Advanced Park	-	-
•	Non-reusable part	-	-

PROCEDURE

1. INSTALL ULTRASONIC SENSOR CUSHION SET

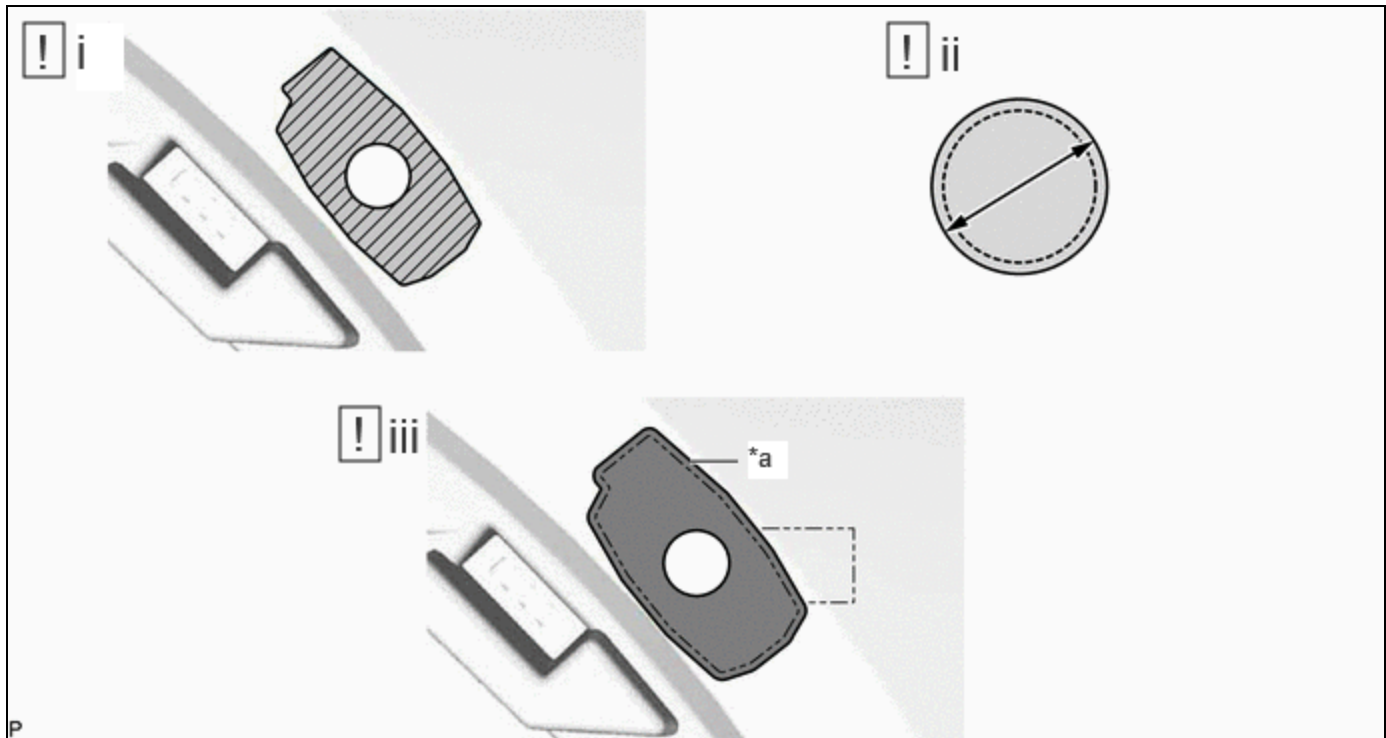
HINT:

Perform this procedure only when replacement of the ultrasonic sensor cushion set is necessary.

2. INSTALL FRONT SIDE ULTRASONIC SENSOR RETAINER (w/ Advanced Park)

HINT:

- Perform this procedure only when replacement of the front side ultrasonic sensor retainer is necessary.
- If a front side ultrasonic sensor retainer has been removed, replace it with a new one.



*a	Scribed Line	-	-
	Cleaning Area		Primer

(1) Clean the surface of the front bumper assembly.

1. Remove any remaining double-sided tape from the front bumper assembly.

NOTICE:

- Installing the front side ultrasonic sensor retainer with some double-sided tape remaining may cause poor adhesion. Perform this procedure until the tape is sufficiently removed.
- Make sure to use a cloth when removing. Using a screwdriver, etc., may cause damage and poor adhesion.

2. Wipe off any adhesive residue with cleaner.

(2) Cover the sensor installation hole with a 25 mm (0.984 in.) circular piece of tape.

NOTICE:

If the primer contacts a painted surface, it may leave light primer marks. Therefore, use protective tape when using liquid primer.

(3) Apply primer to the installation area of the front side ultrasonic sensor retainer on the front bumper assembly.

1. Using a brush or felt, apply primer or equivalent to the front side ultrasonic sensor retainer installation area.

NOTICE:

- Replace the brush or felt if it is dirty or has become hardened.
- Do not apply primer to the painted side.
- Do not touch the front bumper assembly until the primer has dried.

2. Let the primer dry sufficiently.

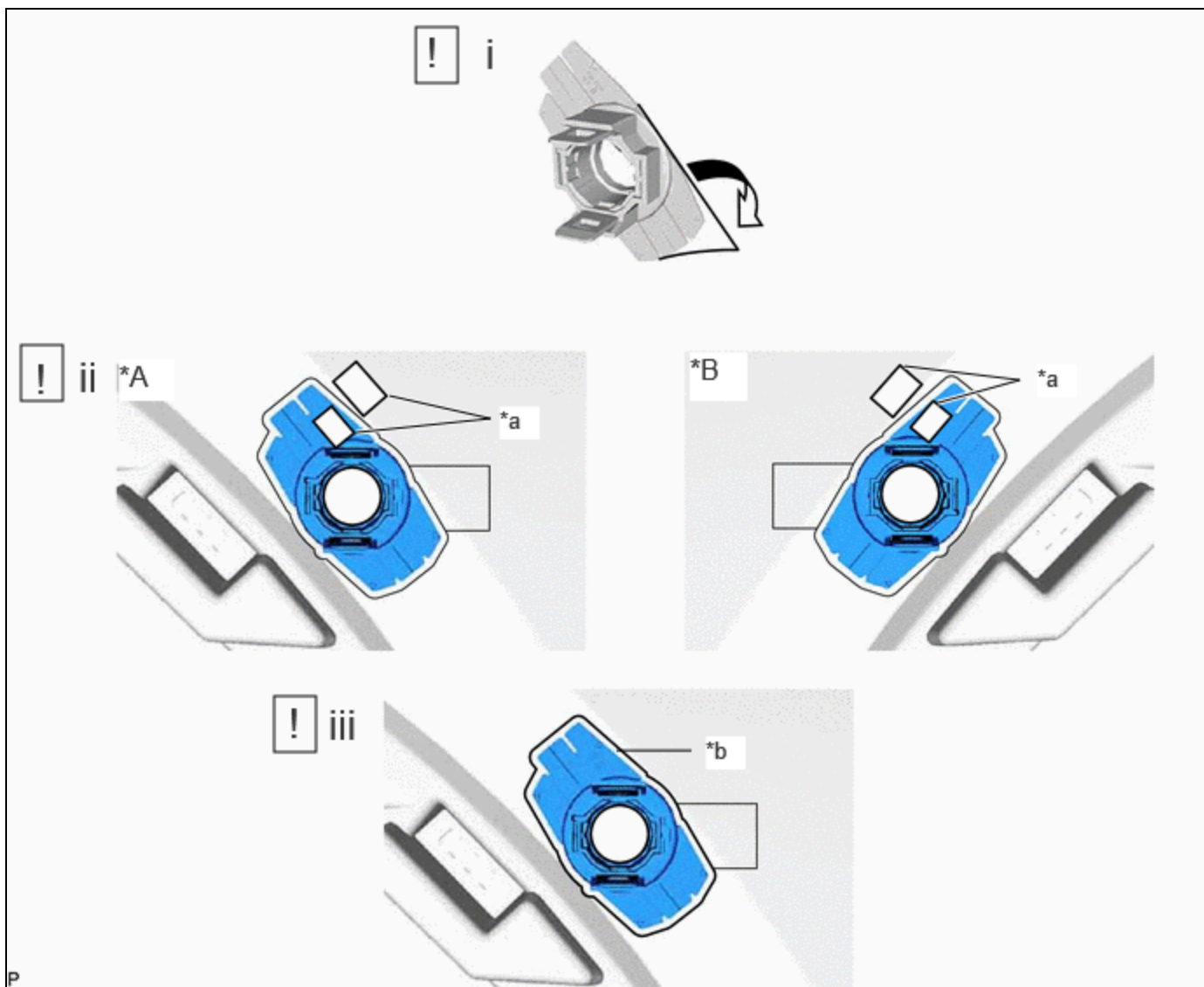
NOTICE:

Do not touch applied surfaces until the primer is dry.

Recommended drying time:

10 minutes or more (at 23°C (73°F))

3. Confirm that the primer has completely dried by touching the front bumper assembly. Then remove the tape.



*A	for LH Side	*B	for RH Side
*a	Identification Code	*b	Scribed Line

(1) Peel off the release paper from a new front side ultrasonic sensor retainer.

NOTICE:

After removing the release paper, do not touch the surface of the tape with your fingers or cotton work gloves.

- (2) Check that the identification codes on the front bumper assembly and the front side ultrasonic sensor retainer are identical.
- (3) Align the front side ultrasonic sensor retainer with the mark on the front bumper assembly and install it as shown in the illustration.

NOTICE:

The application strength of the front side ultrasonic sensor retainer will weaken if reapplied. If reapplication is necessary, be sure to replace it with a new one.

HINT:

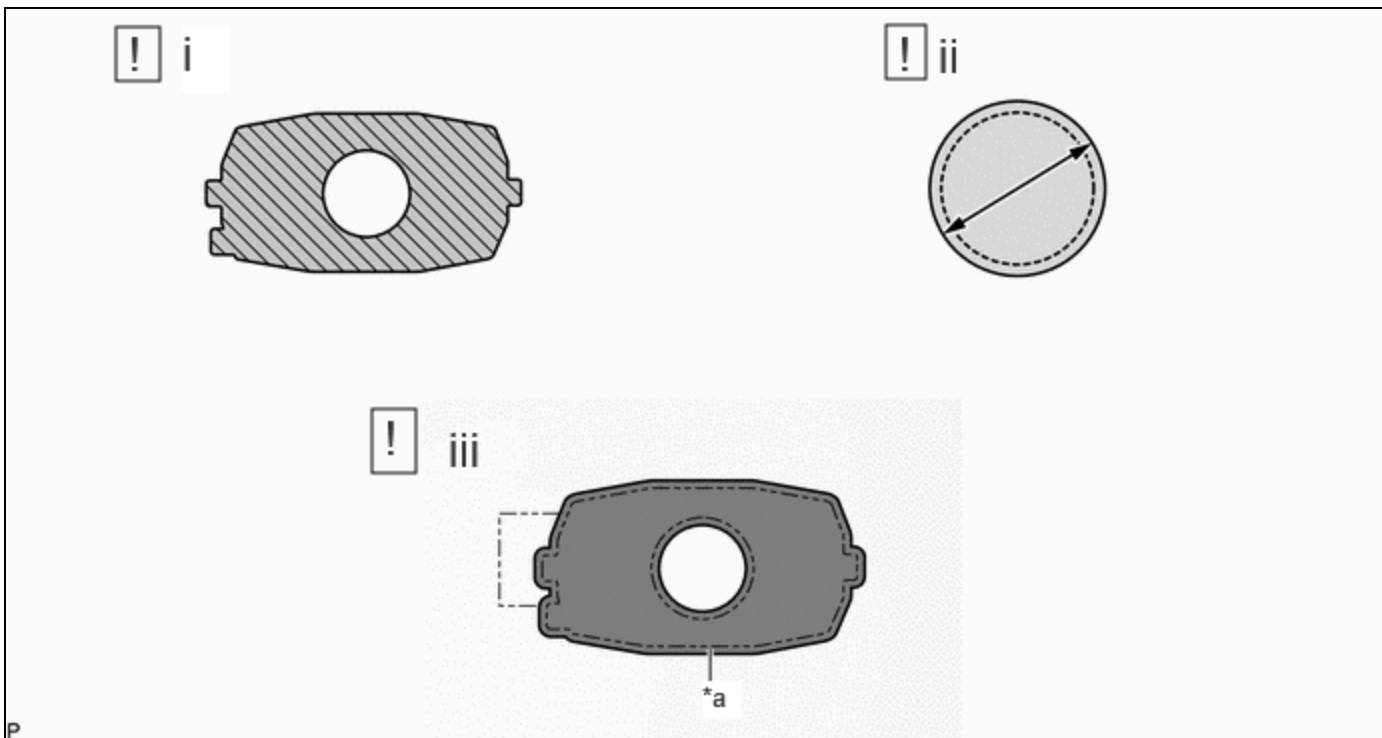
- Apply pressure so that it does not lift up from the front bumper assembly.
- Pushing force: 50 N (5.1 kgf) for 3 seconds

(c) The orientation for the RH side is the opposite of the LH side.

3. INSTALL FRONT CORNER ULTRASONIC SENSOR RETAINER

HINT:

- Perform this procedure only when replacement of the front corner ultrasonic sensor retainer is necessary.
- If a front corner ultrasonic sensor retainer has been removed, replace it with a new one.



*a	Scribed Line	-	-
	Cleaning Area		Primer

- (1) Clean the surface of the front bumper assembly.
 1. Remove any remaining double-sided tape from the front bumper assembly.

NOTICE:

- Installing the front corner ultrasonic sensor retainer with some double-sided tape remaining may cause poor adhesion. Perform this procedure until the tape is sufficiently removed.
- Make sure to use a cloth when removing. Using a screwdriver, etc., may cause damage and poor adhesion.

2. Wipe off any adhesive residue with cleaner.

(2) Cover the sensor installation hole with a 25 mm (0.984 in.) circular piece of tape.

NOTICE:

If the primer contacts a painted surface, it may leave light primer marks. Therefore, use protective tape when using liquid primer.

(3) Apply primer to the installation area of the front corner ultrasonic sensor retainer on the front bumper assembly.

1. Using a brush or felt, apply primer or equivalent to the front corner ultrasonic sensor retainer installation area.

NOTICE:

- Replace the brush or felt if it is dirty or has become hardened.
- Do not apply primer to the painted side.
- Do not touch the front bumper assembly until the primer has dried.

2. Let the primer dry sufficiently.

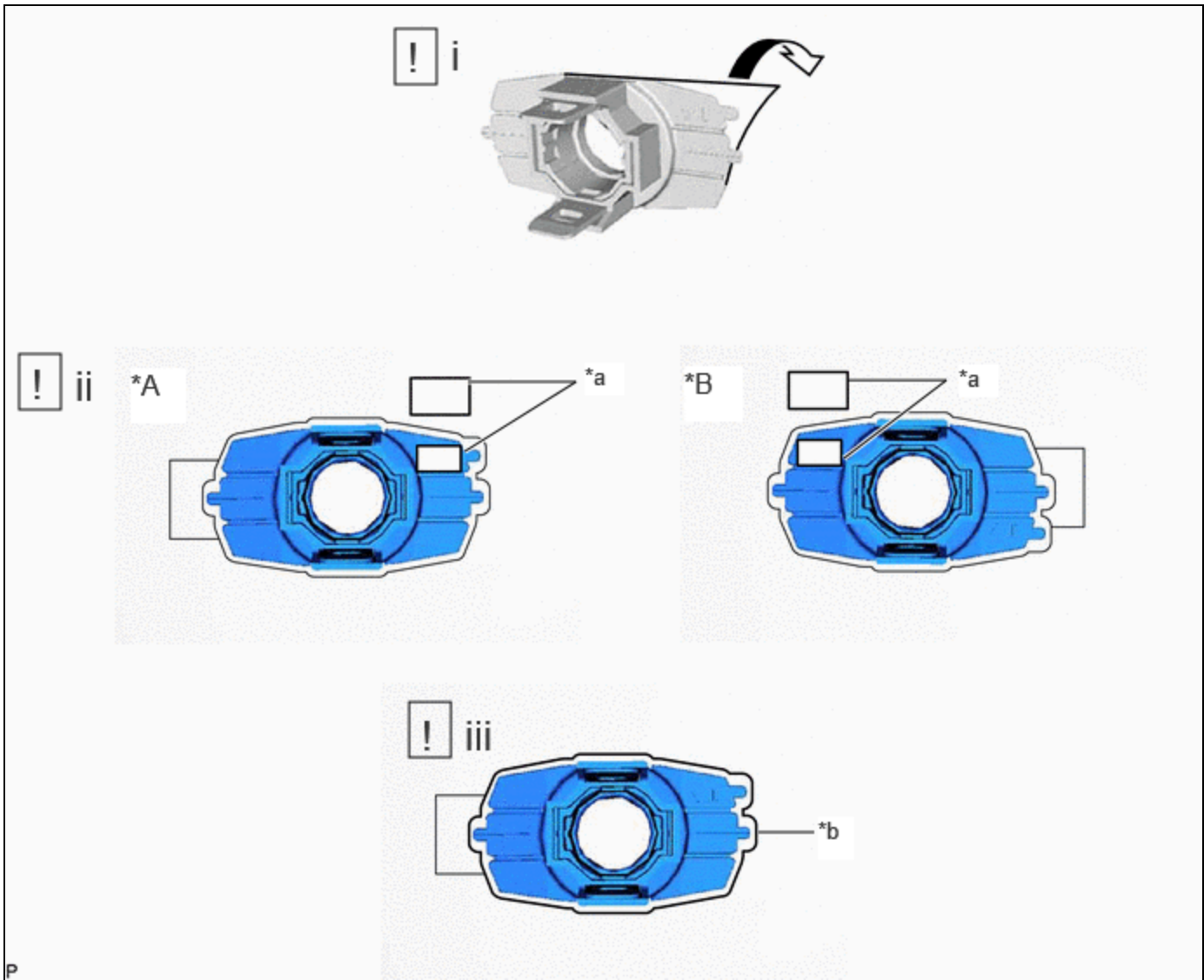
NOTICE:

Do not touch applied surfaces until the primer is dry.

Recommended drying time:

10 minutes or more (at 23°C (73°F))

3. Confirm that the primer has completely dried by touching the front bumper assembly. Then remove the tape.



*A	for LH Side	*B	for RH Side
*a	Identification Code	*b	Scribed Line

(1) Peel off the release paper from a new front corner ultrasonic sensor retainer.

NOTICE:

After removing the release paper, do not touch the surface of the tape with your fingers or cotton work gloves.

- (2) Check that the identification codes on the front bumper assembly and the front corner ultrasonic sensor retainer are identical.
- (3) Align the front corner ultrasonic sensor retainer with the mark on the front bumper assembly and install it as shown in the illustration.

NOTICE:

The application strength of the front corner ultrasonic sensor retainer will weaken if reapplied. If reapplication is necessary, be sure to replace it with a new one.

HINT:

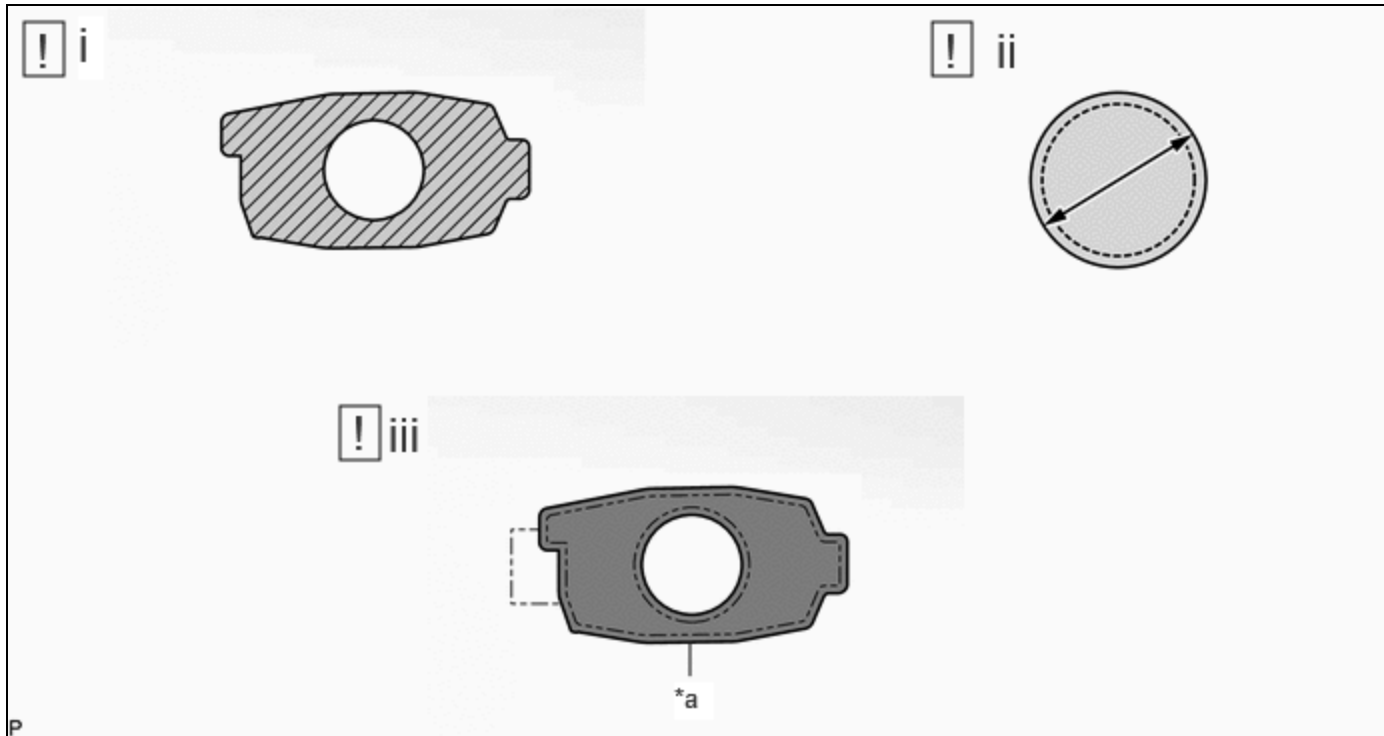
- Apply pressure so that it does not lift up from the front bumper assembly.
- Pushing force: 50 N (5.1 kgf) for 3 seconds.



(c) The orientation for the RH side is the opposite of the LH side.

4. INSTALL FRONT CENTER ULTRASONIC SENSOR RETAINER

HINT:

- Perform this procedure only when replacement of the front center ultrasonic sensor retainer is necessary.
- If a front center ultrasonic sensor retainer has been removed, replace it with a new one.



*a	Scribed Line	-	-
	Cleaning Area		Primer

(1) Clean the surface of the front bumper assembly.

1. Remove any remaining double-sided tape from the front bumper assembly.

NOTICE:

- Installing the front center ultrasonic sensor retainer with some double-sided tape remaining may cause poor adhesion. Perform this procedure until the tape is sufficiently removed.
- Make sure to use a cloth when removing. Using a screwdriver, etc., may cause damage and poor adhesion.

2. Wipe off any adhesive residue with cleaner.

(2) Cover the sensor installation hole with a 25 mm (0.984 in.) circular piece of tape.

NOTICE:

If the primer contacts a painted surface, it may leave light primer marks. Therefore, use protective tape when using liquid primer.

(3) Apply primer to the installation area of the front center ultrasonic sensor retainer on the front bumper assembly.

1. Using a brush or felt, apply primer or equivalent to the front center ultrasonic sensor retainer installation area.

NOTICE:

- Replace the brush or felt if it is dirty or has become hardened.
- Do not apply primer to the painted side.
- Do not touch the front bumper assembly until the primer has dried.

2. Let the primer dry sufficiently

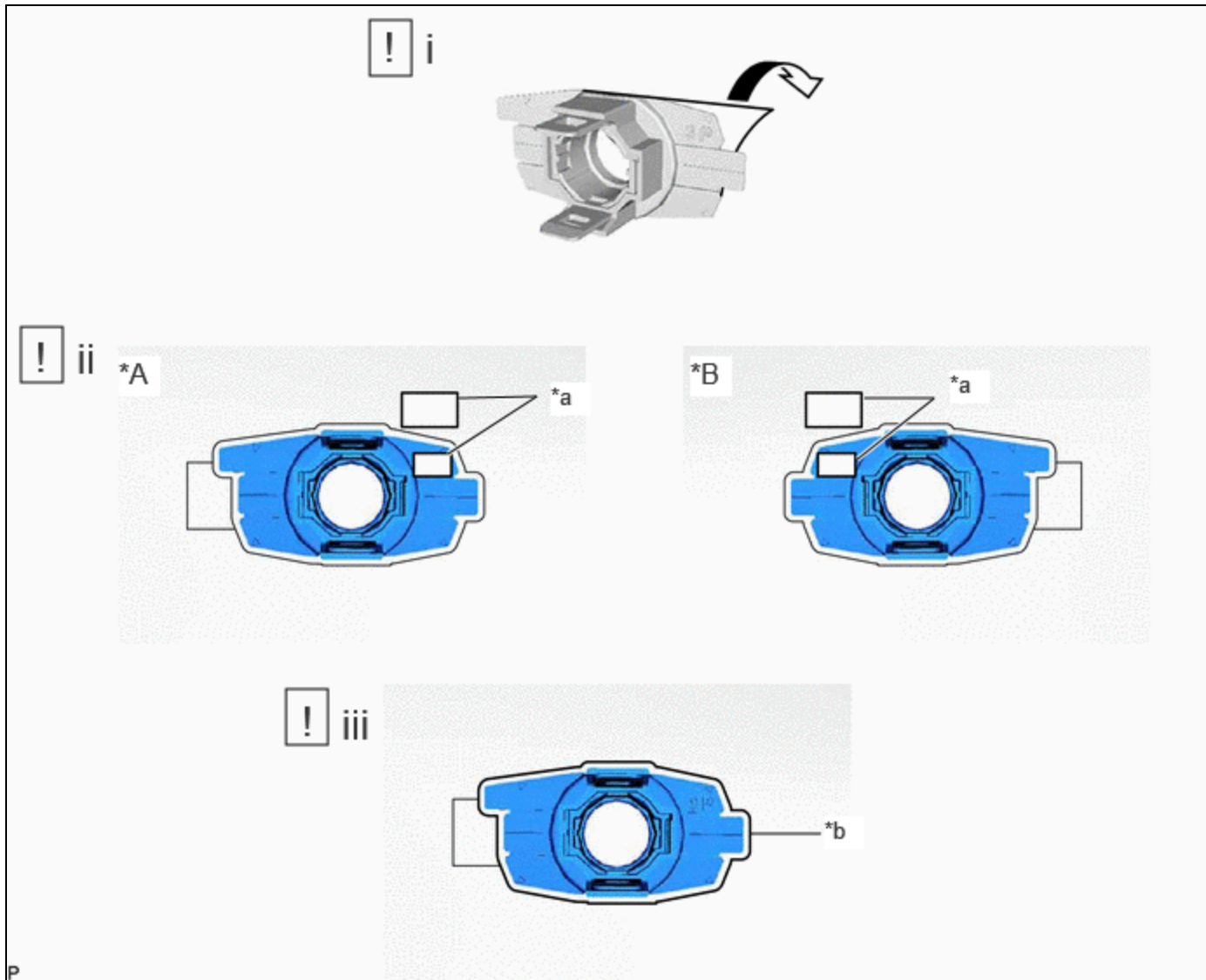
NOTICE:

Do not touch applied surfaces until the primer is dry.

Recommended drying time:

10 minutes or more (at 23°C (73°F))

3. Confirm that the primer has completely dried by touching the front bumper assembly. Then remove the tape.



*A	for LH Side	*B	for RH Side
*a	Identification Code	*b	Scribed Line

- (1) Peel off the release paper from a new front center ultrasonic sensor retainer.

NOTICE:

After removing the release paper, do not touch the surface of the tape with your fingers or cotton work gloves.

- (2) Check that the identification codes on the front bumper assembly and the front center ultrasonic sensor retainer are identical.
- (3) Align the front center ultrasonic sensor retainer with the mark on the front bumper assembly and install it as shown in the illustration.

NOTICE:

The application strength of the front center ultrasonic sensor retainer will weaken if reapplied. If reapplication is necessary, be sure to replace it with a new one.

HINT:

- Apply pressure so that it does not lift up from the front bumper assembly.
- Pushing force: 50 N (5.1 kgf) for 3 seconds

(c) The orientation for the RH side is the opposite of the LH side.

5. INSTALL FRONT SIDE ULTRASONIC SENSOR (w/ Advanced Park)**6. INSTALL FRONT CORNER ULTRASONIC SENSOR****7. INSTALL FRONT CENTER ULTRASONIC SENSOR****8. INSTALL FRONT BUMPER ASSEMBLY**

Click here [INFO](#)

9. PERFORM CALIBRATION**SST: 09989-00020**

(a) w/ Parking Support Brake System:

(1) Click here [INFO](#)

(2) w/ Advanced Park:

Click here [INFO](#)

(b) w/o Parking Support Brake System:

Click here [INFO](#)

