

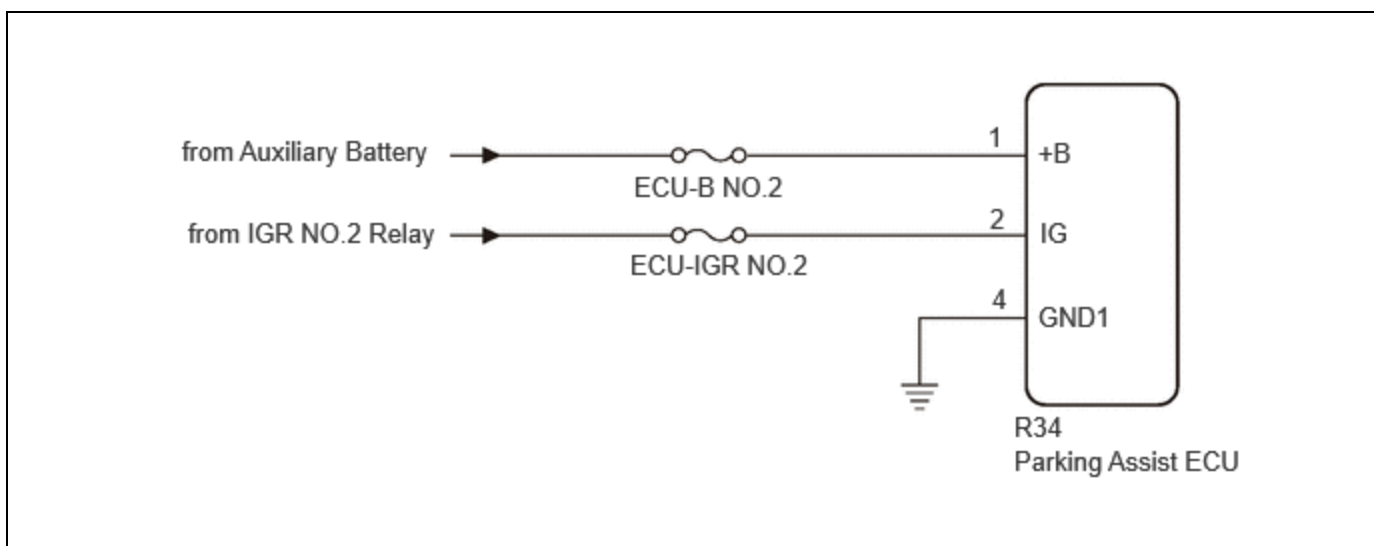
Last Modified: 12-04-2024	6.11:8.1.0	Doc ID: RM10000002918H
Model Year Start: 2023	Model: Prius Prime	Prod Date Range: [12/2022 -]
Title: PARK ASSIST / MONITORING: PANORAMIC VIEW MONITOR SYSTEM: ECU Power Source Circuit; 2023 - 2024 MY Prius Prius Prime [12/2022 -]		

ECU Power Source Circuit

DESCRIPTION

This circuit is the power source circuit to operate the parking assist ECU. The parking assist ECU controls the panoramic view monitor system.

WIRING DIAGRAM



CAUTION / NOTICE / HINT

NOTICE:

- Depending on the parts that are replaced or operations that are performed during vehicle inspection or maintenance, calibration of other systems as well as the panoramic view monitor system may be needed.

Click here [INFO](#)

- Inspect the fuse for circuits related to this system before performing the following procedure.

PROCEDURE

1.	CHECK HARNESS AND CONNECTOR (PARKING ASSIST ECU - AUXILIARY BATTERY AND BODY GROUND)
-----------	---------------------------------------------------------------------------------------------

(a) Disconnect the parking assist ECU connector.

(b) Measure the resistance according to the value(s) in the table below.

Standard Resistance:



[Click Location & Routing\(R34\)](#)

[Click Connector\(R34\)](#)

TESTER CONNECTION	CONDITION	SPECIFIED CONDITION
R34-4 (GND1) - Body ground	Always	Below 1 Ω

(c) Measure the voltage according to the value(s) in the table below.

Standard Voltage:



[Click Location & Routing\(R34\)](#)

[Click Connector\(R34\)](#)

TESTER CONNECTION	SWITCH CONDITION	SPECIFIED CONDITION
R34-1 (+B) - R34-4 (GND1)	Ignition switch off	11 to 14 V
R34-2 (IG) - R34-4 (GND1)	Ignition switch ON	11 to 14 V
	Ignition switch off	Below 1 V

OK ► **PROCEED TO NEXT SUSPECTED AREA SHOWN IN PROBLEM SYMPTOMS TABLE**

NG ► **REPAIR OR REPLACE HARNESS OR CONNECTOR**

