

Last Modified: 12-04-2024	6.11:8.1.0	Doc ID: RM100000028Q2A
Model Year Start: 2023	Model: Prius Prime	Prod Date Range: [12/2022 -]
Title: PARK ASSIST / MONITORING: CLEARANCE WARNING ECU: INSTALLATION; 2023 - 2024 MY Prius Prius Prime [12/2022 -]		

INSTALLATION

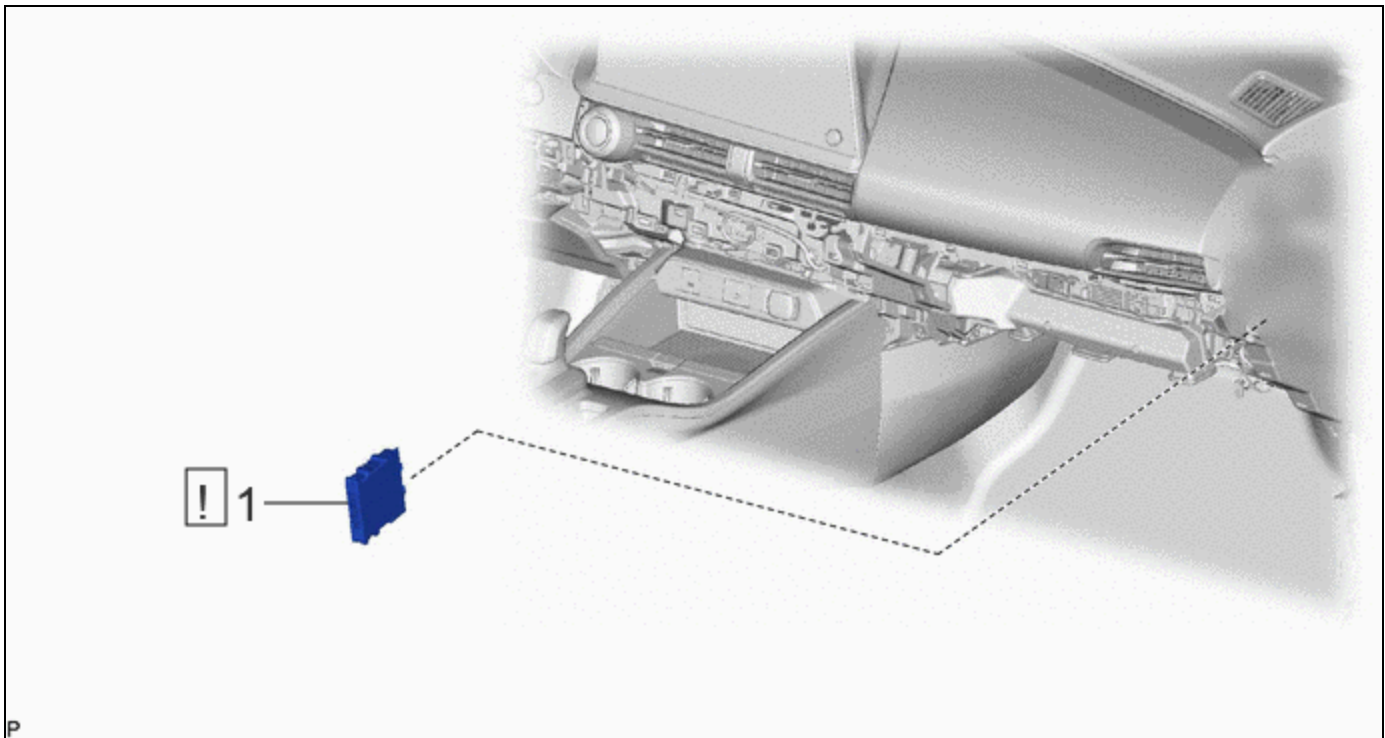
CAUTION / NOTICE / HINT

NOTICE:

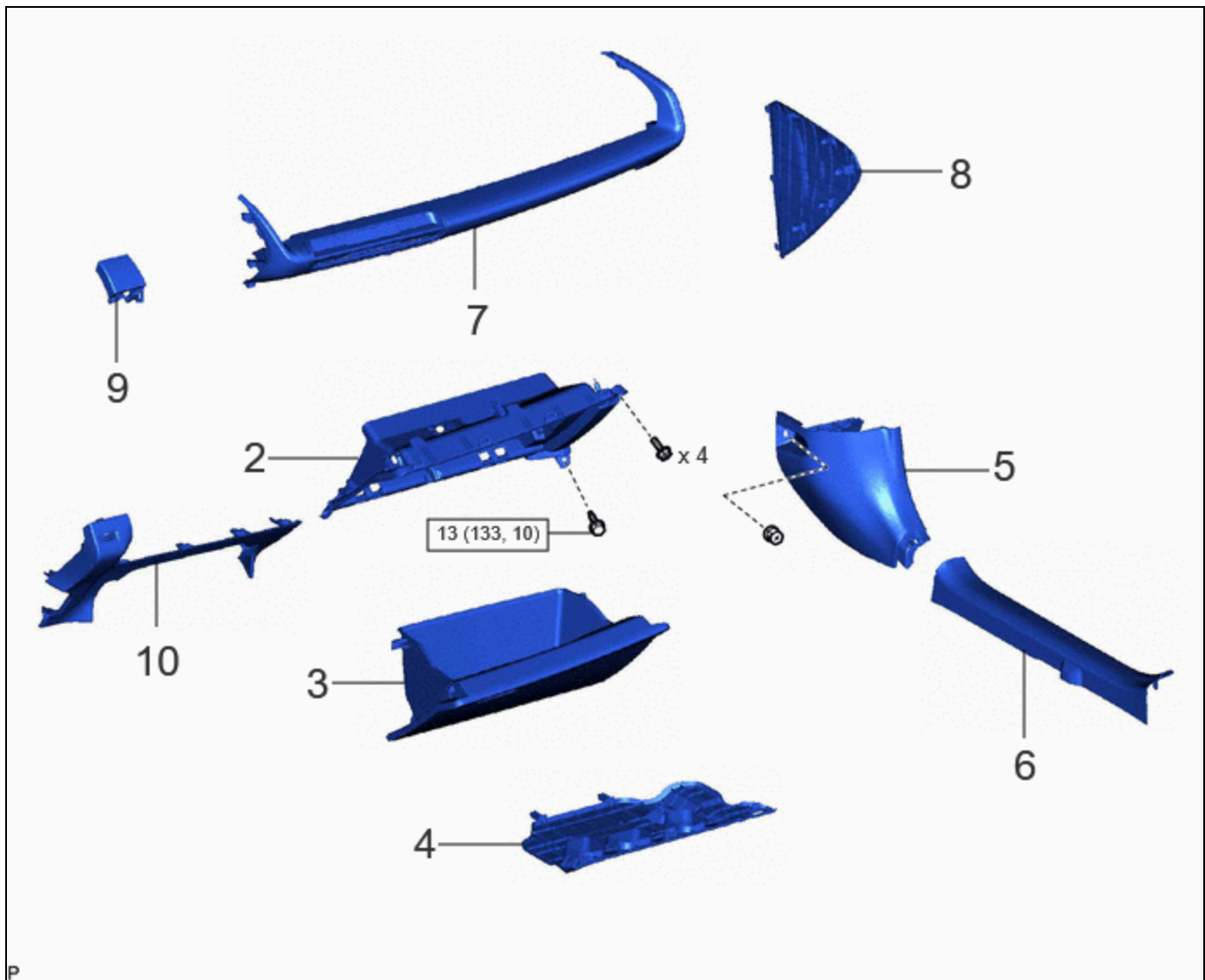
- After replacing the clearance warning ECU assembly, make sure to perform update ECU security key.
- After performing the update ECU security key procedure, make sure to perform the initialization procedure for when the cable has been disconnected and reconnected to the negative (-) battery terminal.




CAUTION / NOTICE / HINT


COMPONENTS (INSTALLATION)

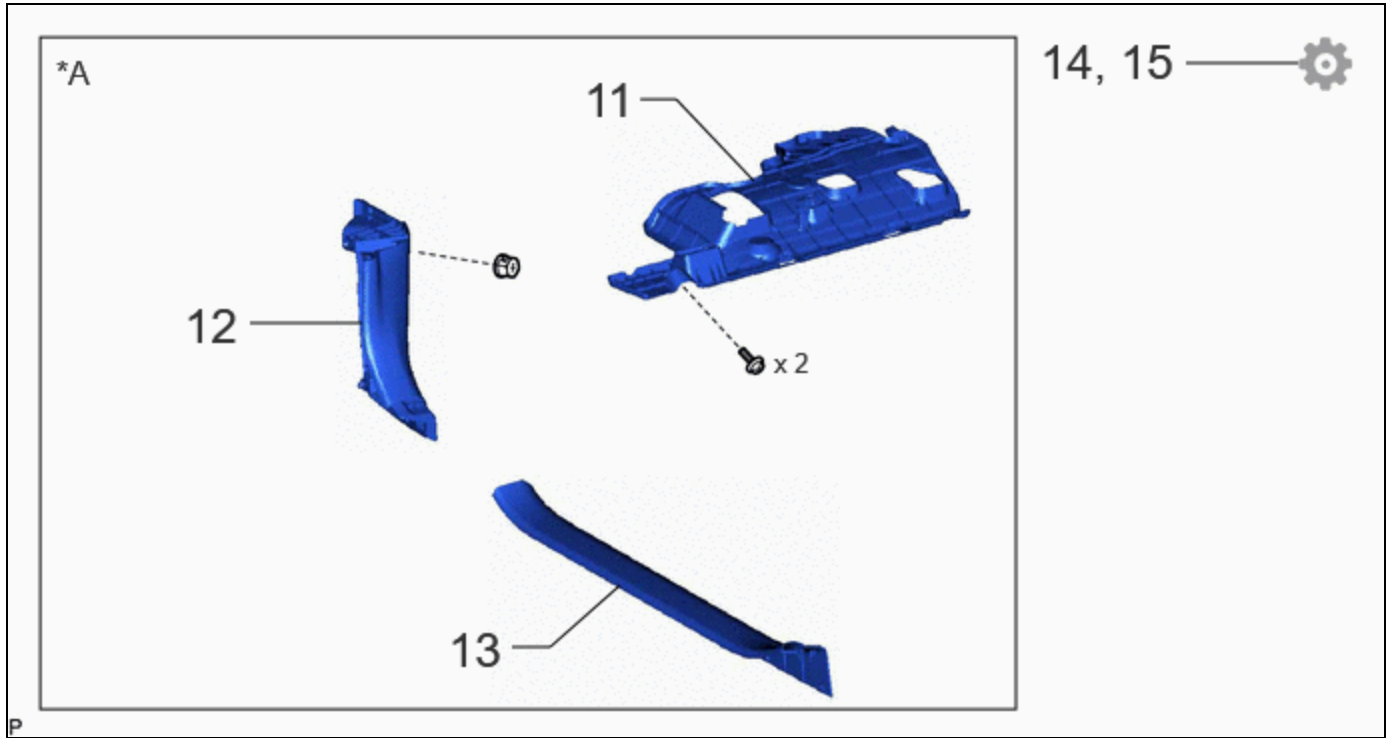


	PROCEDURE	PART NAME CODE			
1	CLEARANCE WARNING ECU ASSEMBLY	89340A	INFO	-	-



PROCEDURE		PART NAME CODE			
2	LOWER INSTRUMENT PANEL SUB-ASSEMBLY	55303B	-	-	-
3	GLOVE COMPARTMENT DOOR ASSEMBLY	55550	-	-	-
4	NO. 2 INSTRUMENT PANEL UNDER COVER SUB-ASSEMBLY	55607	-	-	-
5	COWL SIDE TRIM BOARD RH	62111C	-	-	-
6	FRONT DOOR SCUFF PLATE RH	67913	-	-	-
7	NO. 2 INSTRUMENT PANEL GARNISH SUB-ASSEMBLY WITH AIR CONDITIONING CONTROL ASSEMBLY	-	-	-	-
8	INSTRUMENT SIDE PANEL RH	55317A	-	-	-
9	LOWER CENTER INSTRUMENT CLUSTER FINISH PANEL SUB-ASSEMBLY	55406B	-	-	-
10	LOWER CENTER INSTRUMENT PANEL FINISH PANEL	55434B	-	-	-

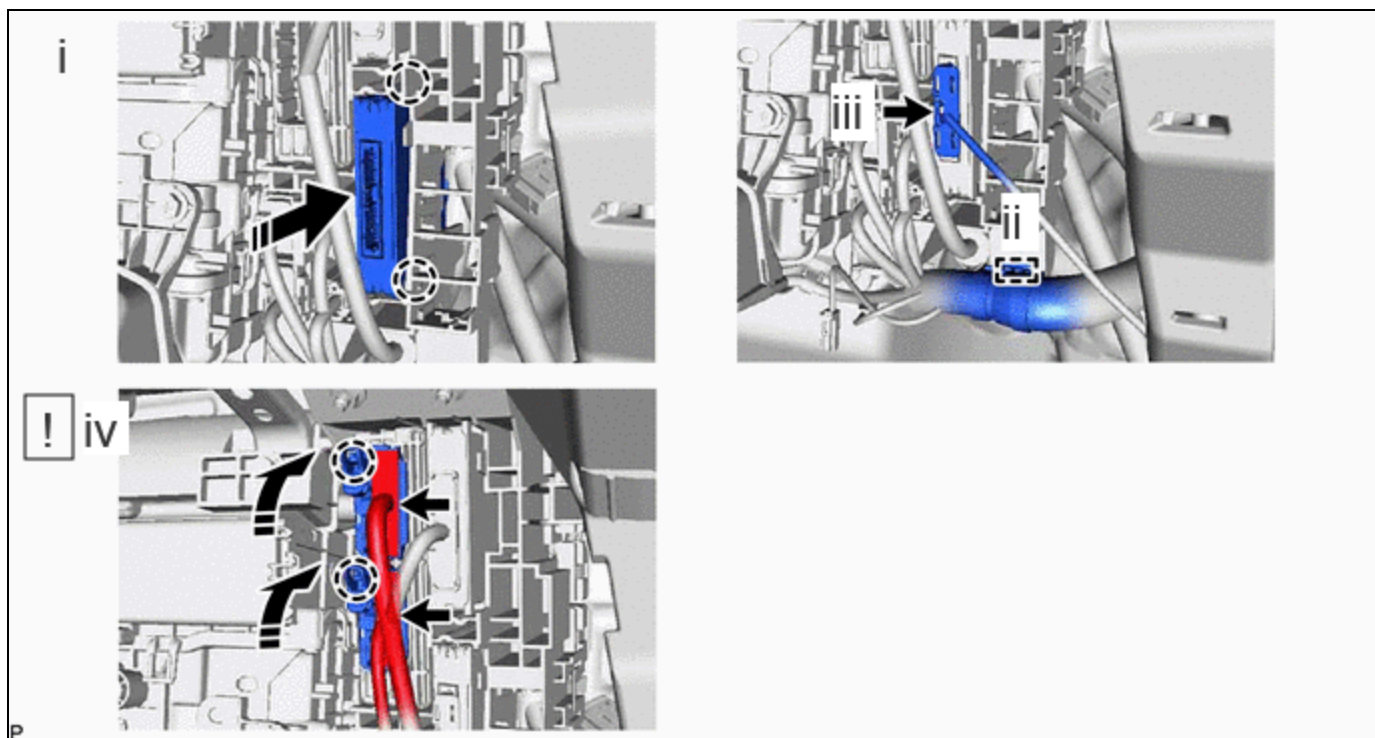
	N*m (kgf*cm, ft.*lbf): Specified torque	-	-
---	---	---	---




	PROCEDURE	PART NAME CODE	!	📄	⚙️
11	NO. 1 INSTRUMENT PANEL UNDER COVER SUB-ASSEMBLY	55606	-	-	-
12	COWL SIDE TRIM BOARD LH	62112	-	-	-
13	FRONT DOOR SCUFF PLATE LH	67914	-	-	-
14	UPDATE ECU SECURITY KEY	-	-	-	INFO
15	PERFORM CALIBRATION	-	-	-	INFO

PROCEDURE

1. INSTALL CLEARANCE WARNING ECU ASSEMBLY



	Install in this Direction	-	-
---	---------------------------	---	---

- (1) Engage the 2 claws to install the clearance warning ECU assembly.
- (2) Engage the clamp.
- (3) Connect the connector.
- (4) Connect the 2 connectors and push down the 2 lock levers to engage the 2 claws and lock the connector as shown in the illustration.

NOTICE:

Be sure to connect the connector securely.

2. INSTALL LOWER INSTRUMENT PANEL SUB-ASSEMBLY

Click here [INFO](#)

3. INSTALL GLOVE COMPARTMENT DOOR ASSEMBLY**4. INSTALL NO. 2 INSTRUMENT PANEL UNDER COVER SUB-ASSEMBLY****5. INSTALL COWL SIDE TRIM BOARD RH****6. INSTALL FRONT DOOR SCUFF PLATE RH****7. INSTALL NO. 2 INSTRUMENT PANEL GARNISH SUB-ASSEMBLY WITH AIR CONDITIONING CONTROL ASSEMBLY****8. INSTALL INSTRUMENT SIDE PANEL RH****9. INSTALL LOWER CENTER INSTRUMENT CLUSTER FINISH PANEL SUB-ASSEMBLY****10. INSTALL LOWER CENTER INSTRUMENT PANEL FINISH PANEL****11. INSTALL NO. 1 INSTRUMENT PANEL UNDER COVER SUB-ASSEMBLY (w/ Knee Airbag)**

12. INSTALL COWL SIDE TRIM BOARD LH (w/ Knee Airbag)**13. INSTALL FRONT DOOR SCUFF PLATE LH (w/ Knee Airbag)****14. UPDATE ECU SECURITY KEY**

Click here [INFO](#)

15. PERFORM CALIBRATION

(a) w/ Parking Support Brake System:

(1) Click here [INFO](#)

(2) w/ Advanced Park:

Click here [INFO](#)

(b) w/o Parking Support Brake System:

Click here [INFO](#)

