

Last Modified: 12-04-2024	6.11:8.1.0	Doc ID: RM100000002962S
Model Year Start: 2023	Model: Prius Prime	Prod Date Range: [12/2022 -]
Title: NAVIGATION / MULTI INFO DISPLAY: NAVIGATION ANTENNA: INSPECTION; 2023 - 2024 MY Prius Prius Prime [12/2022 -]		

INSPECTION

PROCEDURE

1. INSPECT NAVIGATION ANTENNA ASSEMBLY (w/o Manual (SOS) Switch)

Pre-procedure1

- (a) Check that the navigation antenna assembly cable is properly installed and does not have any sharp bends, pinching or loose connections.

Procedure1

- (b) Current consumption check:

(1) Measure the current consumption according to the value(s) in the table below.

Standard Current:

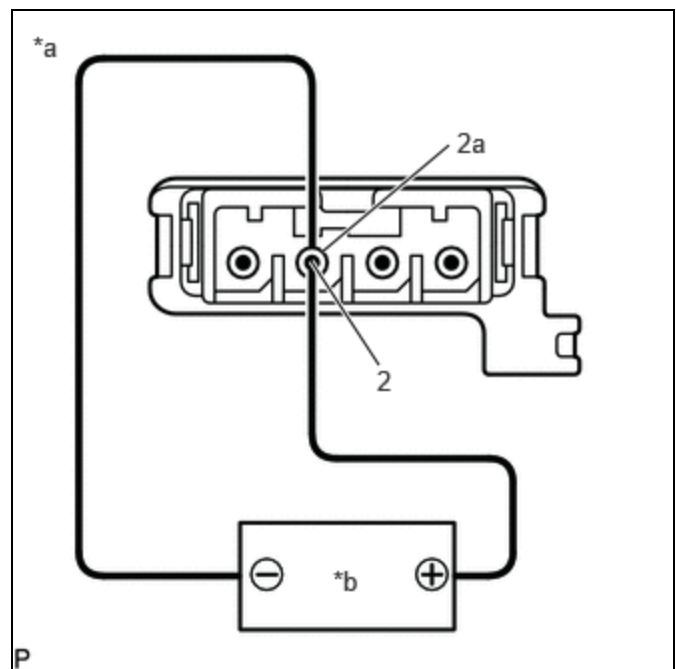
TESTER CONNECTION	CONDITION	SPECIFIED CONDITION	RESULT
2 (core) - 2a (shield)	4.2 to 5 V applied between terminals 2 and 2a	10 to 30 mA	mA

NOTICE:

Do not apply 6 V or more between terminals 3 and 3a.

HINT:

If a stable power supply is not available, connect 4 nickel-metal hydride batteries (1.2 V each) or equivalent in series.



*a	Component without harness connected (Navigation Antenna Assembly)
*b	Voltage Applied between Terminals

Post-procedure1

- (c) None.

2. INSPECT NAVIGATION ANTENNA ASSEMBLY (w/ Manual (SOS) Switch)

Pre-procedure1

- (a) Check that the navigation antenna assembly cable is properly installed and does not have any sharp bends, pinching or loose connections.

Procedure1

- (b) Current consumption check: (GNSS1)

(1) Measure the current consumption according to the value(s) in the table below.

Standard Current:

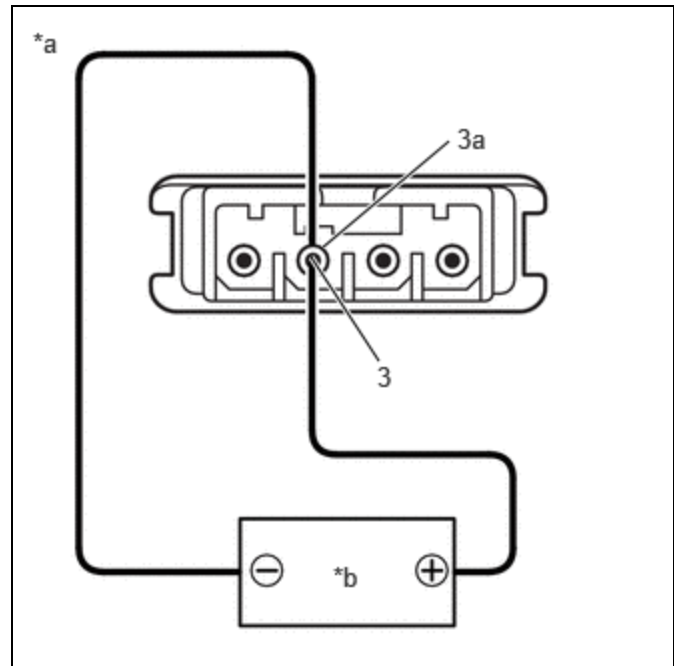
TESTER CONNECTION	CONDITION	SPECIFIED CONDITION	RESULT
3 (core) - 3a (shield)	4.2 to 5.0 V applied between terminals 3 and 3a	10 to 30 mA	mA

NOTICE:

Do not apply 6 V or more between terminals 3 and 3a.

HINT:

If a stable power supply is not available, connect 4 nickel-metal hydride batteries (1.2 V each) or equivalent in series.



*a	Component without harness connected (Navigation Antenna Assembly)
*b	Voltage Applied between Terminals

- (c) Current consumption check: (GNSS2)

(1) Measure the current consumption according to the value(s) in the table below.

Standard Current:

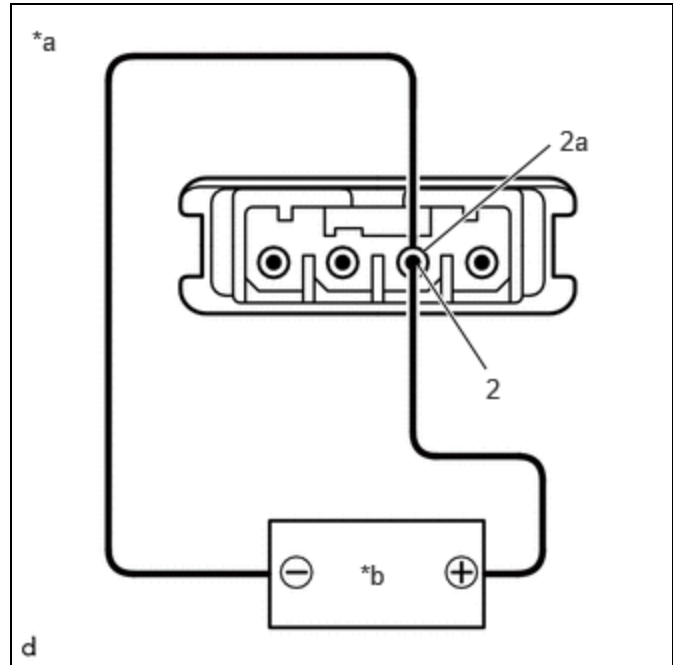
TESTER CONNECTION	CONDITION	SPECIFIED CONDITION	RESULT
2 (core) - 2a (shield)	4.2 to 5.0 V applied between terminals 2 and 2a	10 to 30 mA	mA

NOTICE:

Do not apply 6 V or more between terminals 2 and 2a.

HINT:

If a stable power supply is not available, connect 4 nickel-metal hydride batteries (1.2 V each) or equivalent in series.



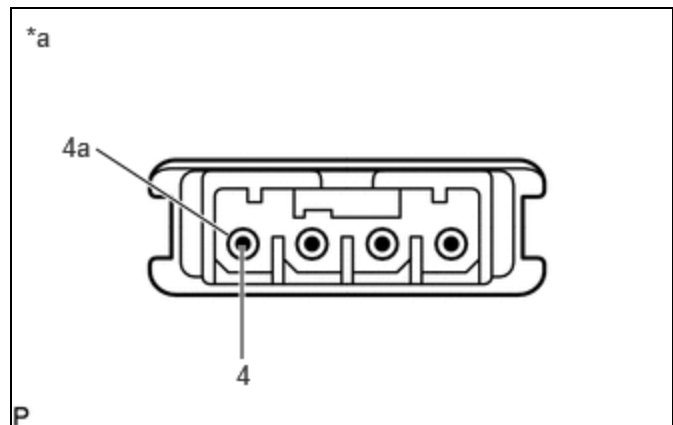
*a	Component without harness connected (Navigation Antenna Assembly)
*b	Voltage Applied between Terminals

(d) Resistance check: (Telephone Sub)

(1) Measure the resistance according to the value(s) in the table below.

Standard Resistance:

TESTER CONNECTION	CONDITION	SPECIFIED CONDITION	RESULT
4 (core) - 4a (shield)	Always	9 to 11 kΩ	kΩ



*a	Component without harness connected (Navigation Antenna Assembly)
----	---

Post-procedure1

(e) None.

