

Last Modified: 12-04-2024	6.11:8.1.0	Doc ID: RM100000028TZF
Model Year Start: 2023	Model: Prius Prime	Prod Date Range: [12/2022 -]
Title: GARAGE DOOR OPENER: GARAGE DOOR OPENER SYSTEM (for EC Inner Mirror): ON-VEHICLE INSPECTION; 2023 - 2024 MY Prius Prius Prime [12/2022 -]		

ON-VEHICLE INSPECTION

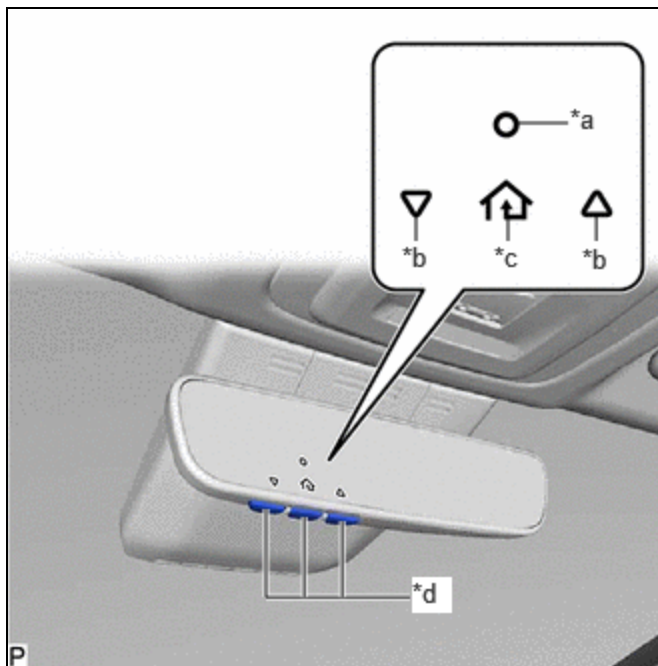
PROCEDURE

1. INSPECT GARAGE DOOR OPENER

(a) Press each garage door opener ("HomeLink") switch and check that the ("HomeLink") indicator light turns on. If one or more of the garage door opener ("HomeLink") switches does not turn on the ("HomeLink") indicator light, check the condition of the fuse and wire harness. If the wire of the fuse is broken or the wire harness is malfunctioning repair or replace it. If not, replace the inner rear view mirror assembly (garage door opener).

HINT:

[Click here](#) INFO



*a	("HomeLink") Indicator Light
*b	Garage Door Operation Indicators
*c	("HomeLink") Icon
*d	Garage Door Opener ("HomeLink") Switches

2. INSPECT GARAGE DOOR OPENER REGISTRATION AND TRANSMITTING

HINT:

Use the "HomeLink" tester and a tester transmitter for this test. First clear the customer transmitter codes, and then register the tester transmitter code.

[Click here](#) INFO

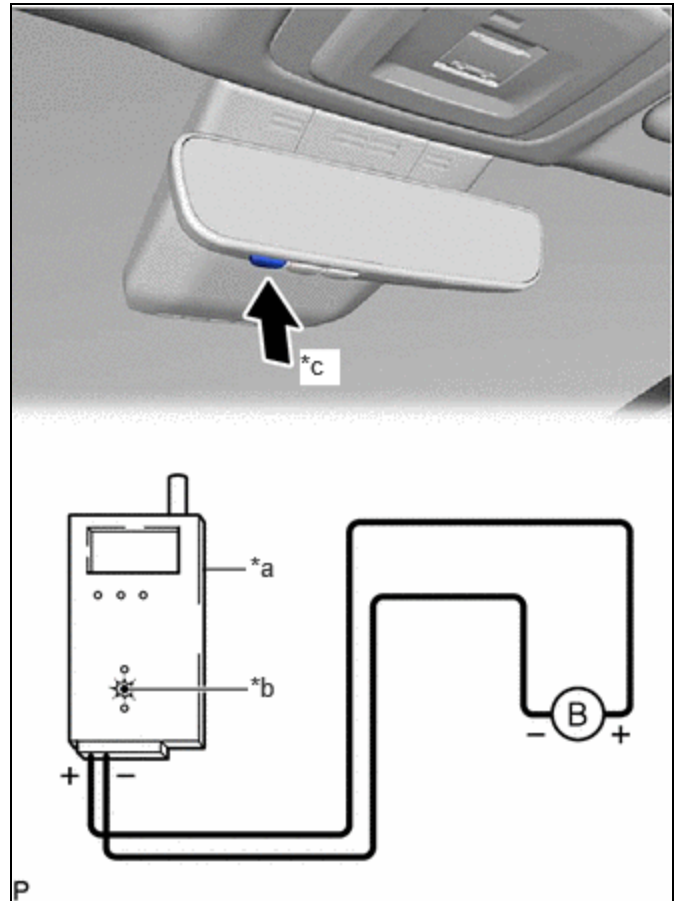
(a) Check if the tester transmitter code was successfully registered.

HINT:

- Any garage door opener ("HomeLink") switch can be pressed.
- If the code cannot be registered, replace the inner rear view mirror assembly (garage door opener).

[Click here](#) INFO

(b) Apply battery voltage to the "HomeLink" tester as shown in the illustration.



*a	"HomeLink" Tester
*b	Red LED
*c	Press

(c) Press a garage door opener ("HomeLink") switch. Check if the red LED of the "HomeLink" tester illuminates.

HINT:

If the red LED does not illuminate, replace the inner rear view mirror assembly (garage door opener).

Click here [INFO](#)

(d) When the inspection is complete, register the customer transmitter code(s) again.

HINT:

- Registration of the customer transmitter code(s) may not be possible in the service facility if the customer's transmitters are not available or if any of the buttons are used for rolling code-type systems.
- Refer to the Owner's Manual for additional information about registration (programming) of transmitter codes.

