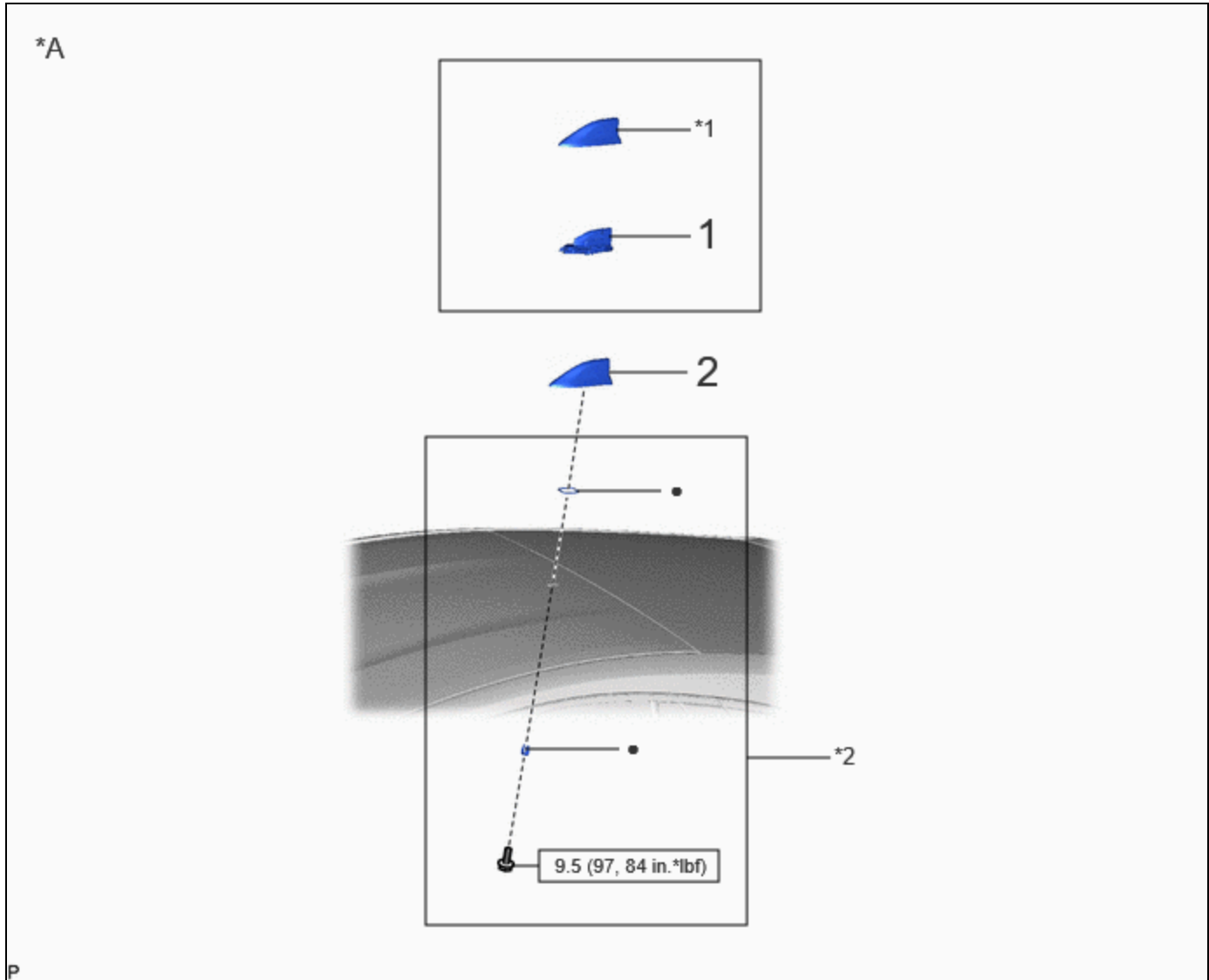


<b>Last Modified:</b> 12-04-2024	6.11:8.1.0	<b>Doc ID:</b> RM100000028U1F
<b>Model Year Start:</b> 2023	<b>Model:</b> Prius Prime	<b>Prod Date Range:</b> [12/2022 - ]
<b>Title:</b> CELLULAR COMMUNICATION: TELEPHONE AND GPS ANTENNA (for Roof Side): INSTALLATION; 2023 - 2024 MY Prius Prius Prime [12/2022 - ]		

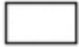
## INSTALLATION

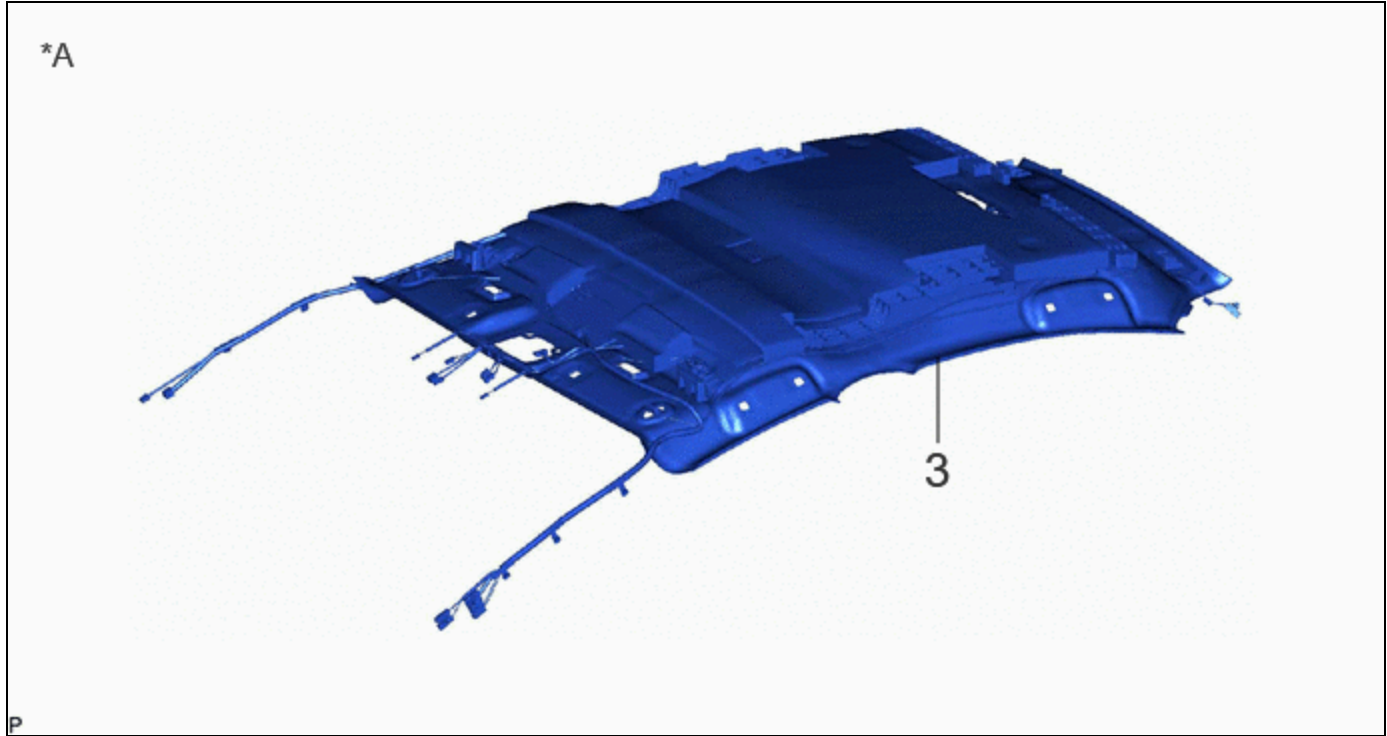
### CAUTION / NOTICE / HINT

#### COMPONENTS (INSTALLATION)



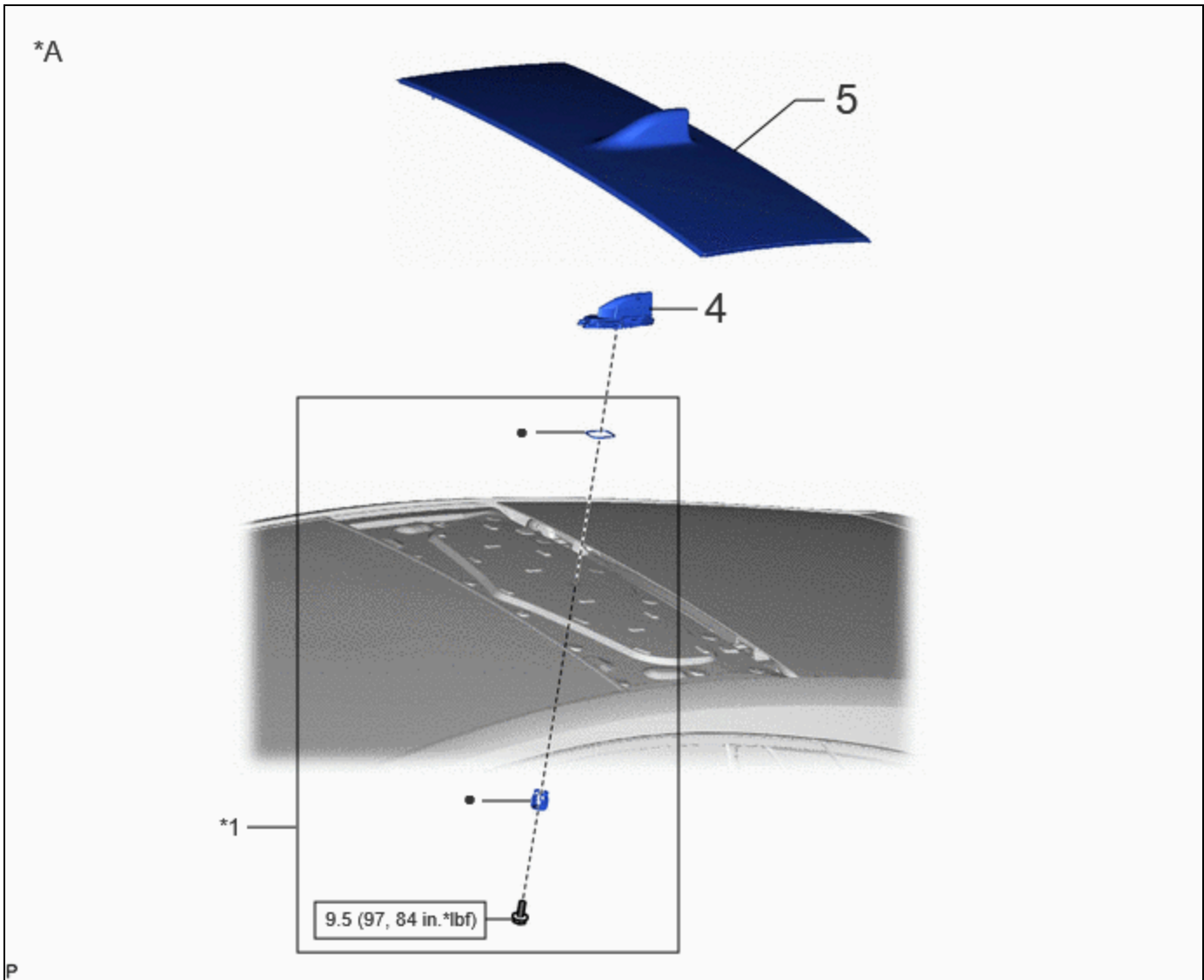
	PROCEDURE	PART NAME CODE			
1	TELEPHONE AND GPS ANTENNA ASSEMBLY	86300J	-	-	-
2	TELEPHONE AND GPS ANTENNA ASSEMBLY WITH COVER	-	-	-	-

*A	for Normal Roof	-	-
*1	COVER	*2	ROOF ANTENNA HOUSING
	N*m (kgf*cm, ft.*lbf): Specified torque	•	Non-reusable part



	PROCEDURE	PART NAME CODE			
3	ROOF HEADLINING ASSEMBLY	-	-	-	-

*A	for Normal Roof	-	-
----	-----------------	---	---



PROCEDURE		PART NAME CODE			
4	TELEPHONE AND GPS ANTENNA ASSEMBLY	86300J	-	-	-
5	ROOF TOP MOULDING SUB-ASSEMBLY	75607B	-	-	-

*A	for Panoramic Moon Roof	-	-
*1	ROOF ANTENNA HOUSING	-	-
	N*m (kgf*cm, ft.*lbf): Specified torque	•	Non-reusable part

## PROCEDURE


**1. INSTALL TELEPHONE AND GPS ANTENNA ASSEMBLY (for Normal Roof)**

**2. INSTALL TELEPHONE AND GPS ANTENNA ASSEMBLY WITH COVER (for Normal Roof)**

**Torque:**

**9.5 N·m {97 kgf·cm, 84 in·lbf}**

**3. INSTALL ROOF HEADLINING ASSEMBLY (for Normal Roof)**

Click here 

**4. INSTALL TELEPHONE AND GPS ANTENNA ASSEMBLY (for Panoramic Moon Roof)**

**Torque:**

**9.5 N·m {97 kgf·cm, 84 in·lbf}**

**5. INSTALL ROOF TOP MOULDING SUB-ASSEMBLY (for Panoramic Moon Roof)**

Click here 