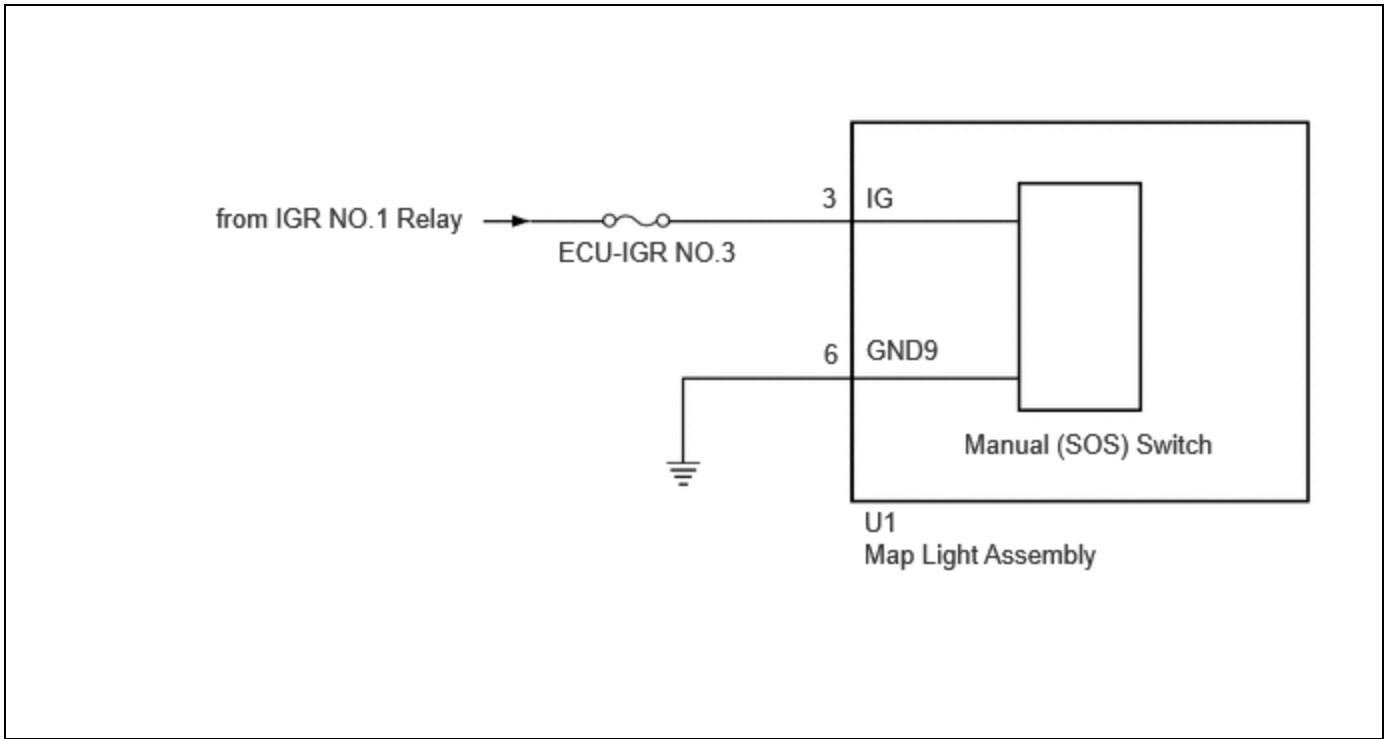


<b>Last Modified:</b> 12-04-2024	6.11:8.1.0	<b>Doc ID:</b> RM100000028U17
<b>Model Year Start:</b> 2023	<b>Model:</b> Prius Prime	<b>Prod Date Range:</b> [12/2022 - ]
<b>Title:</b> CELLULAR COMMUNICATION: SAFETY CONNECT SYSTEM: Emergency Call Switch Illumination Circuit; 2023 - 2024 MY Prius Prius Prime [12/2022 - ]		

**Emergency Call Switch Illumination Circuit**

**WIRING DIAGRAM**



**CAUTION / NOTICE / HINT**

**NOTICE:**

Inspect the fuses for circuits related to this system before performing the following procedure.

**PROCEDURE**

<b>1.</b>	<b>CHECK HARNESS AND CONNECTOR (MAP LIGHT ASSEMBLY (MANUAL (SOS) SWITCH) POWER SOURCE)</b>
-----------	--

(a) Disconnect the U1 map light assembly (manual (SOS) switch) connector.

(b) Measure the voltage according to the value(s) in the table below.

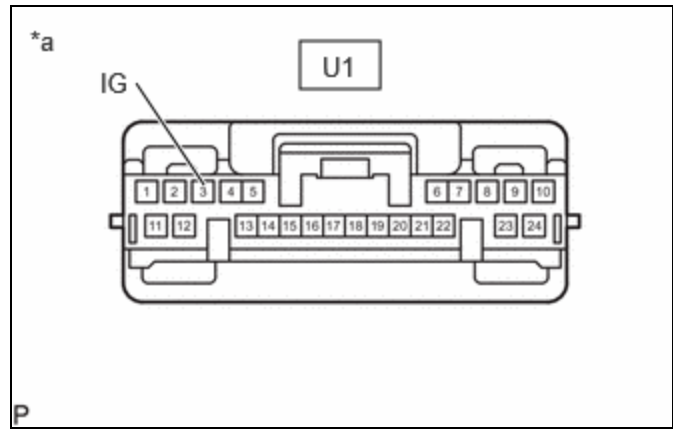
Standard Voltage:

**EWD INFO**

[Click Location & Routing\(U1\)](#)

[Click Connector\(U1\)](#)

TESTER CONNECTION	SWITCH CONDITION	SPECIFIED CONDITION
U1-3 (IG) - Body Ground	Ignition switch ON	11 to 14 V



*a	Component with harness connected (Map Light Assembly (Manual (SOS) Switch))
----	---

(c) Measure the resistance according to the value(s) in the table below.

Standard Resistance:

**EWD INFO**

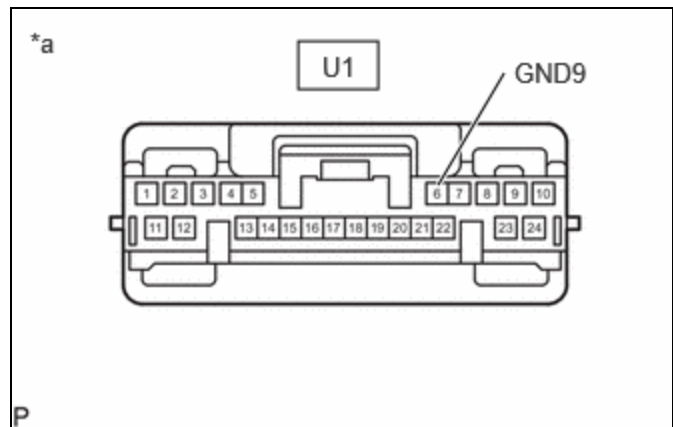
[Click Location & Routing\(U1\)](#)

[Click Connector\(U1\)](#)

TESTER CONNECTION	CONDITION	SPECIFIED CONDITION
U1-6 (GND9) - Body ground	Always	Below 1 Ω

Result:

PROCEED TO
OK
NG



*a	Component with harness connected (Map Light Assembly (Manual (SOS) Switch))
----	---

**OK** ▶ REPLACE MAP LIGHT ASSEMBLY (MANUAL (SOS) SWITCH)

**NG** ▶ REPAIR OR REPLACE HARNESS OR CONNECTOR

