

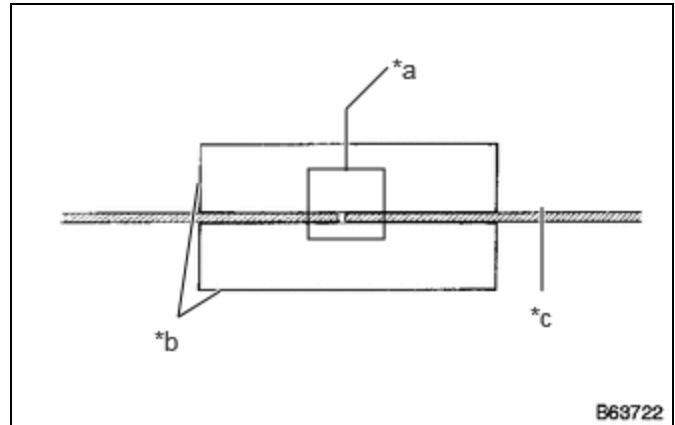
<b>Last Modified:</b> 12-04-2024	6.11:8.1.0	<b>Doc ID:</b> RM100000002916N
<b>Model Year Start:</b> 2023	<b>Model:</b> Prius Prime	<b>Prod Date Range:</b> [12/2022 - ]
<b>Title:</b> AUDIO / VIDEO: WINDOW GLASS ANTENNA WIRE: REPAIR; 2023 - 2024 MY Prius Prius Prime [12/2022 - ]		

## REPAIR

### PROCEDURE

#### 1. REPAIR WINDOW GLASS ANTENNA WIRE

(a) Clean the broken wire tips with a grease, wax and silicone remover.

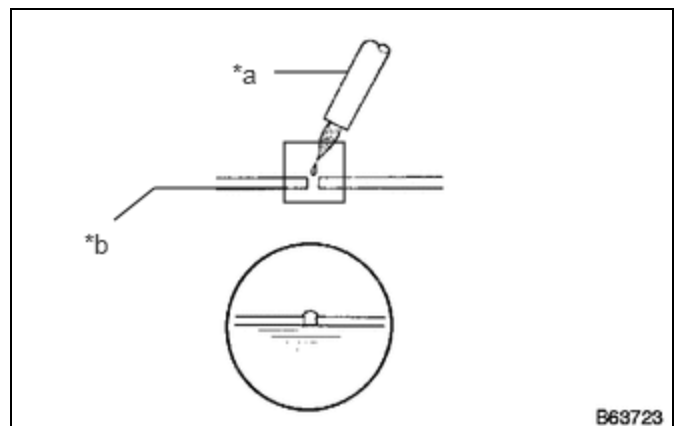


*a	Repair Point
*b	Masking Tape
*c	Broken Wire

(b) Place masking tape along both sides of the wire to be repaired.

(c) Thoroughly mix the repair agent (Dupont paste No. 4817 or equivalent).

(d) Using a fine tip brush, apply a small amount of the repair agent to the wire.



*a	Fine Tip Brush
*b	Repair Point

(e) After a few minutes, remove the masking tape.

