

<b>Last Modified:</b> 12-04-2024	6.11:8.1.0	<b>Doc ID:</b> RM10000002916M
<b>Model Year Start:</b> 2023	<b>Model:</b> Prius Prime	<b>Prod Date Range:</b> [12/2022 - ]
<b>Title:</b> AUDIO / VIDEO: WINDOW GLASS ANTENNA WIRE: ON-VEHICLE INSPECTION; 2023 - 2024 MY Prius Prius Prime [12/2022 - ]		

## ON-VEHICLE INSPECTION

### PROCEDURE

#### 1. INSPECT WINDOW GLASS ANTENNA WIRE

(a) Check the continuity of the antenna.

**NOTICE:**

- When cleaning the glass, wipe it in the direction of the wire with a soft dry cloth. Take care not to damage the wire. Do not use detergents or glass cleaners with abrasive ingredients.
- When measuring resistance, wrap a piece of tin foil around the tip of the negative probe and press the foil against the wire with your finger, as shown in the illustration.

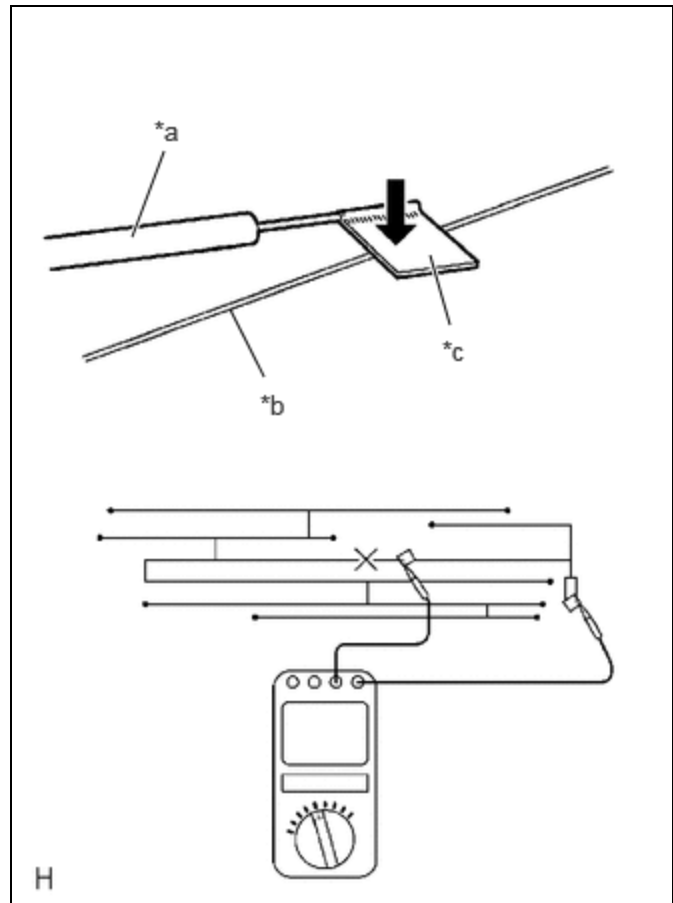
**HINT:**

Check for continuity at the center of each antenna wire as shown in the illustration.

OK:

There is continuity in the antenna.

If the result is not as specified, repair the window glass antenna wire.



*a	Tester Probe
*b	Antenna Wire
*c	Tin Foil

