

Last Modified: 12-04-2024	6.11:8.1.0	Doc ID: RM1000000029160
Model Year Start: 2023	Model: Prius Prime	Prod Date Range: [12/2022 -]
Title: AUDIO / VIDEO: NOISE FILTER: ON-VEHICLE INSPECTION; 2023 - 2024 MY Prius Prius Prime [12/2022 -]		

ON-VEHICLE INSPECTION

PROCEDURE

1. INSPECT RADIO SETTING CONDENSER

Pre-procedure1

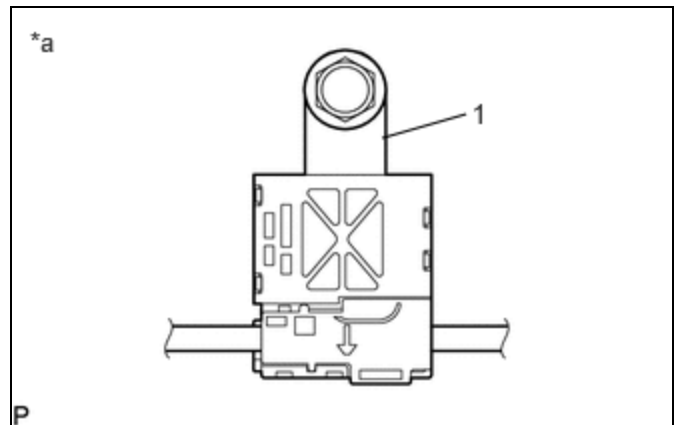
- (a) With the radio setting condenser installed, check that there is no looseness or other abnormalities.

Procedure1

- (b) Measure the resistance of the radio setting condenser according to the value(s) in the table below.

Standard Resistance:

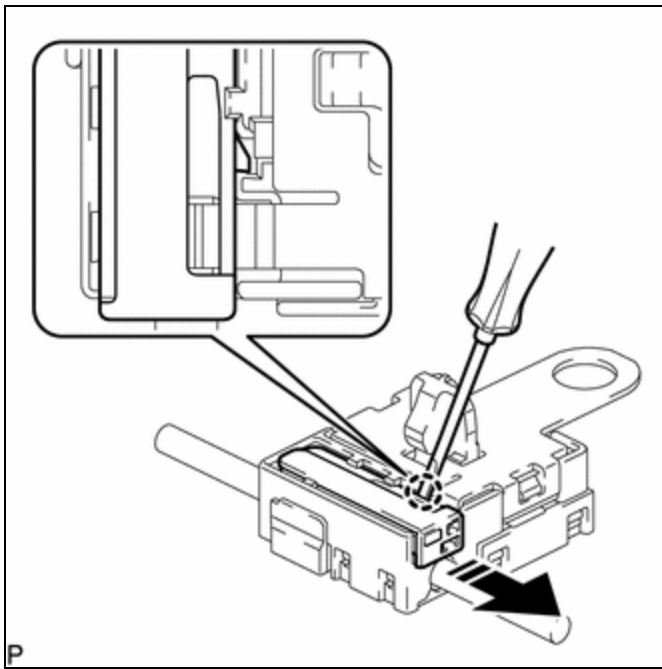
TESTER CONNECTION	CONDITION	SPECIFIED CONDITION	RESULT
1 - Body ground	<ul style="list-style-type: none"> • Ignition switch off • Window Defogger turned off 	Below 1 Ω	Ω



*a	Radio Setting Condenser
----	-------------------------

Pre-procedure2

- (c) Remove the bolt.
- (d) Disengage the clamp and disconnect the radio setting condenser with wire harness from the vehicle body.
- (e) Using a screwdriver, disengage the claw and pull out the cover as shown in the illustration.



Procedure2

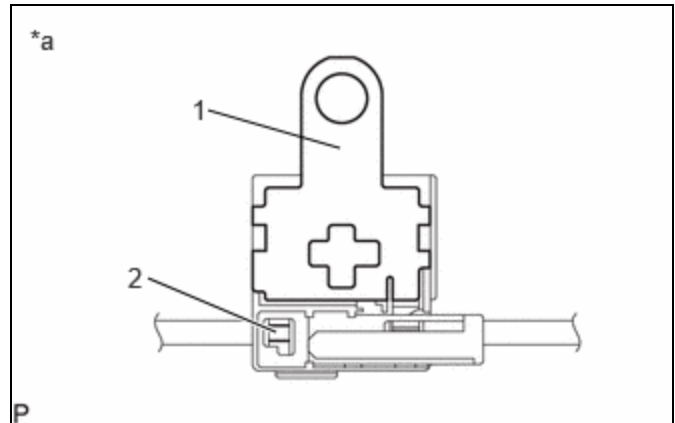
(f) Measure the resistance of the radio setting condenser according to the value(s) in the table below.

NOTICE:

Before measuring the resistance, be sure to use insulated probes to avoid a short circuit between the tester terminal and bracket.

Standard Resistance:

TESTER CONNECTION	CONDITION	SPECIFIED CONDITION	RESULT
1 - 2	<ul style="list-style-type: none"> Ignition switch off Window Defogger turned off 	10 kΩ or higher	kΩ



*a Radio Setting Condenser

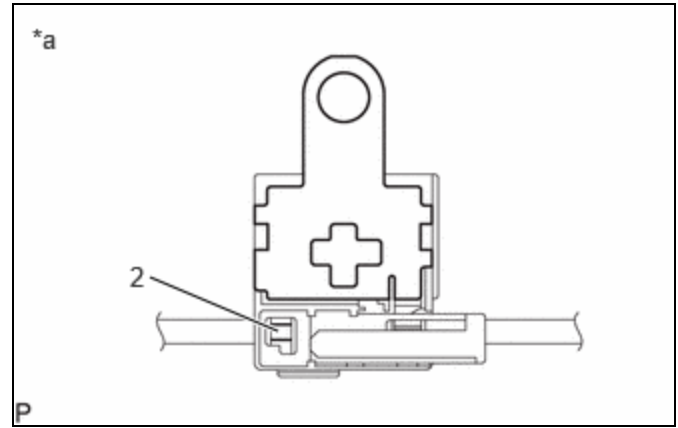
(g) Measure the voltage of the radio setting condenser according to the value(s) in the table below.

NOTICE:

Before measuring the voltage, be sure to use insulated probes to avoid a short circuit between the tester terminal and bracket.

Standard Voltage:

TESTER CONNECTION	CONDITION	SPECIFIED CONDITION	RESULT
2 - Body ground	<ul style="list-style-type: none"> Ignition switch ON Window Defogger turned off 	Below 1 V	V
2 - Body ground	<ul style="list-style-type: none"> Ignition switch ON Window Defogger turned on 	11 to 14 V	V



*a	Radio Setting Condenser
----	-------------------------

Post-procedure1

(h) None.

