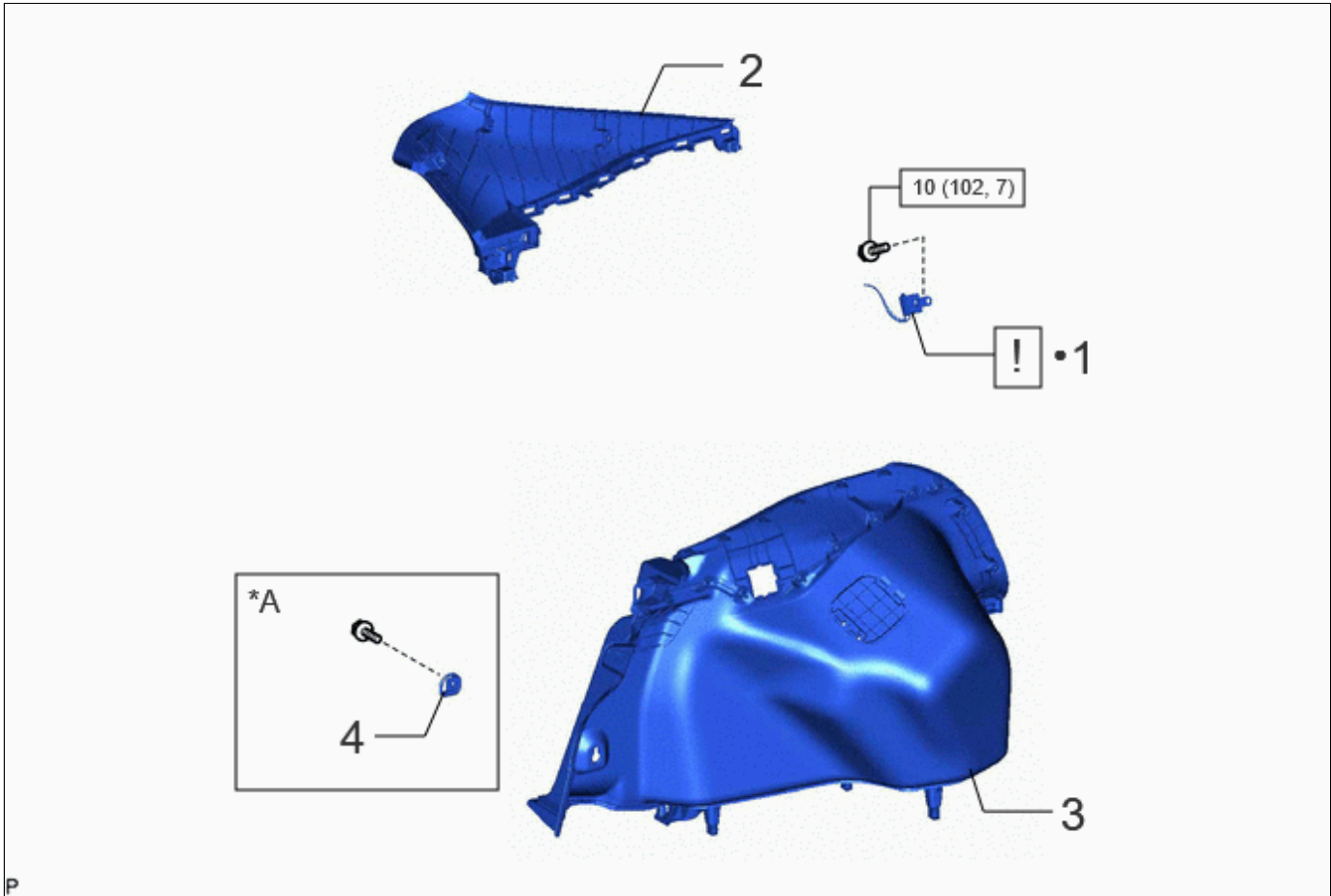


Last Modified: 12-04-2024	6.11:8.1.0	Doc ID: RM100000002BZ6Y
Model Year Start: 2023	Model: Prius Prime	Prod Date Range: [03/2023 -]
Title: AUDIO / VIDEO: NOISE FILTER: INSTALLATION; 2023 - 2024 MY Prius Prius Prime [03/2023 -]		

INSTALLATION


CAUTION / NOTICE / HINT

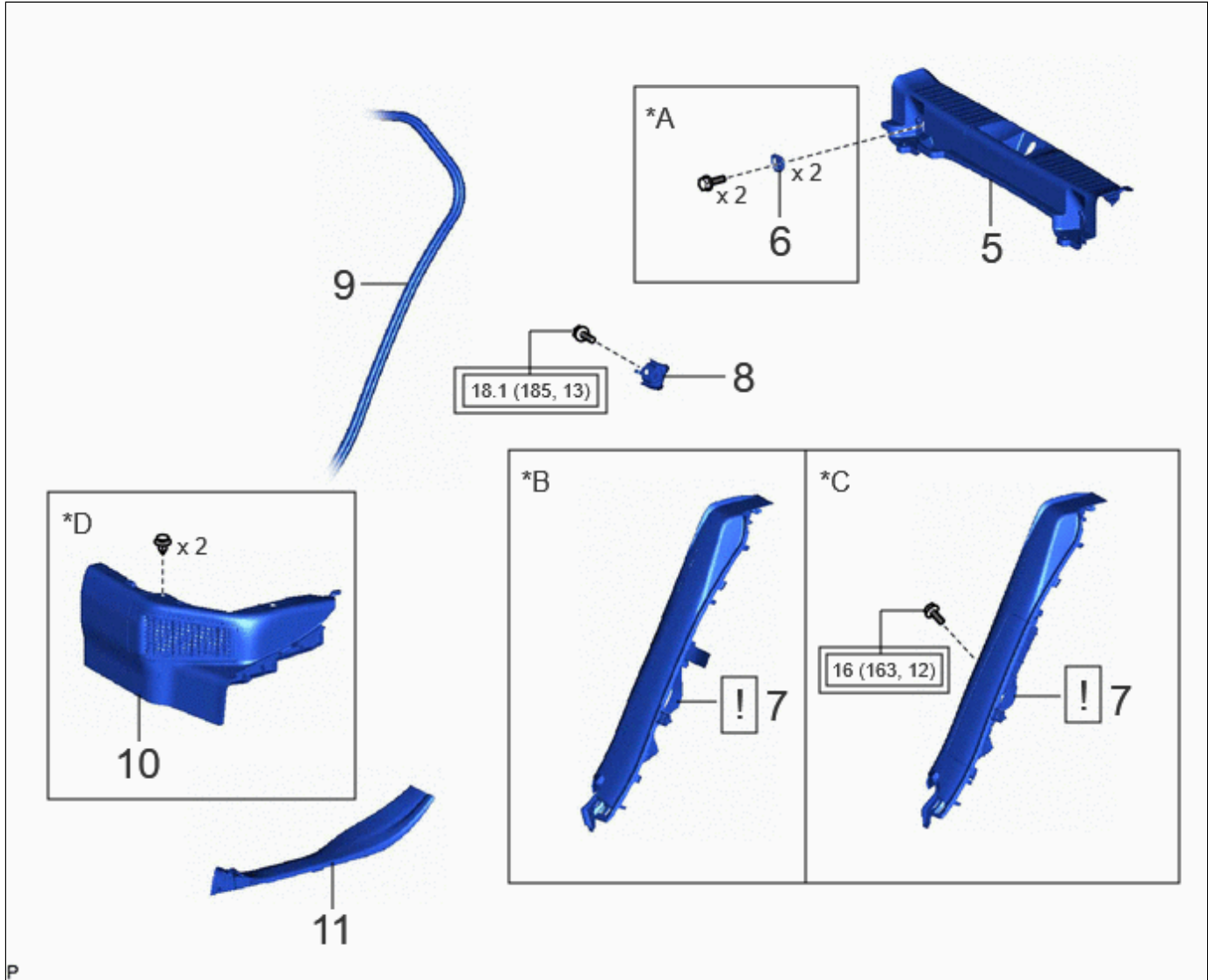
COMPONENTS (INSTALLATION)







PROCEDURE		PART NAME CODE			
1	RADIO SETTING CONDENSER	86011A	INFO	-	-
2	ROOF SIDE INNER GARNISH ASSEMBLY LH	62480A	-	-	-
3	DECK TRIM SIDE PANEL ASSEMBLY LH	64740C	-	-	-
4	LUGGAGE HOLD BELT STRIKER ASSEMBLY	58460D	-	-	-

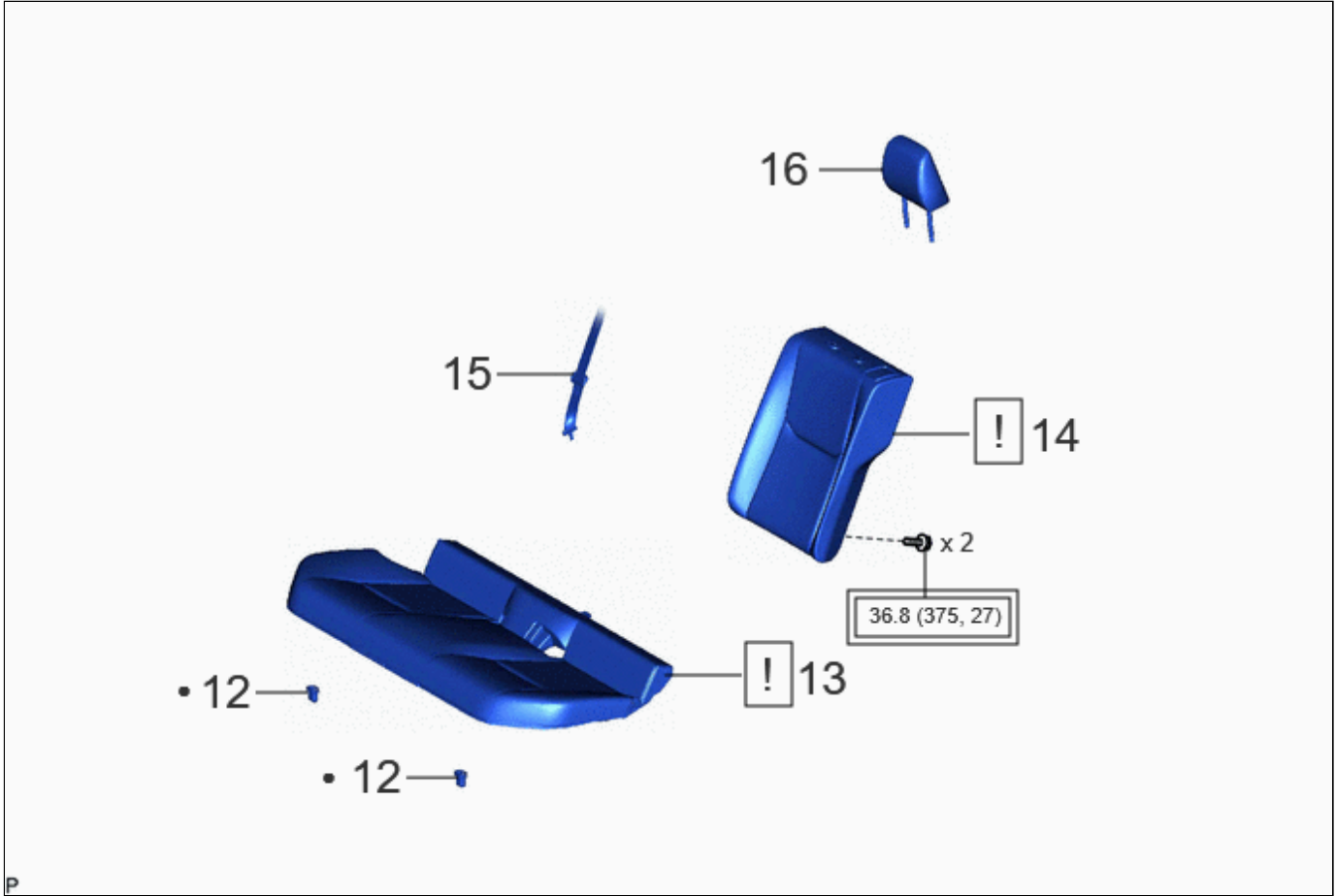
*A	for LH Side	-	-
----	-------------	---	---




	N*m (kgf*cm, ft.*lbf): Specified torque	<ul style="list-style-type: none"> • Non-reusable part
---	---	---




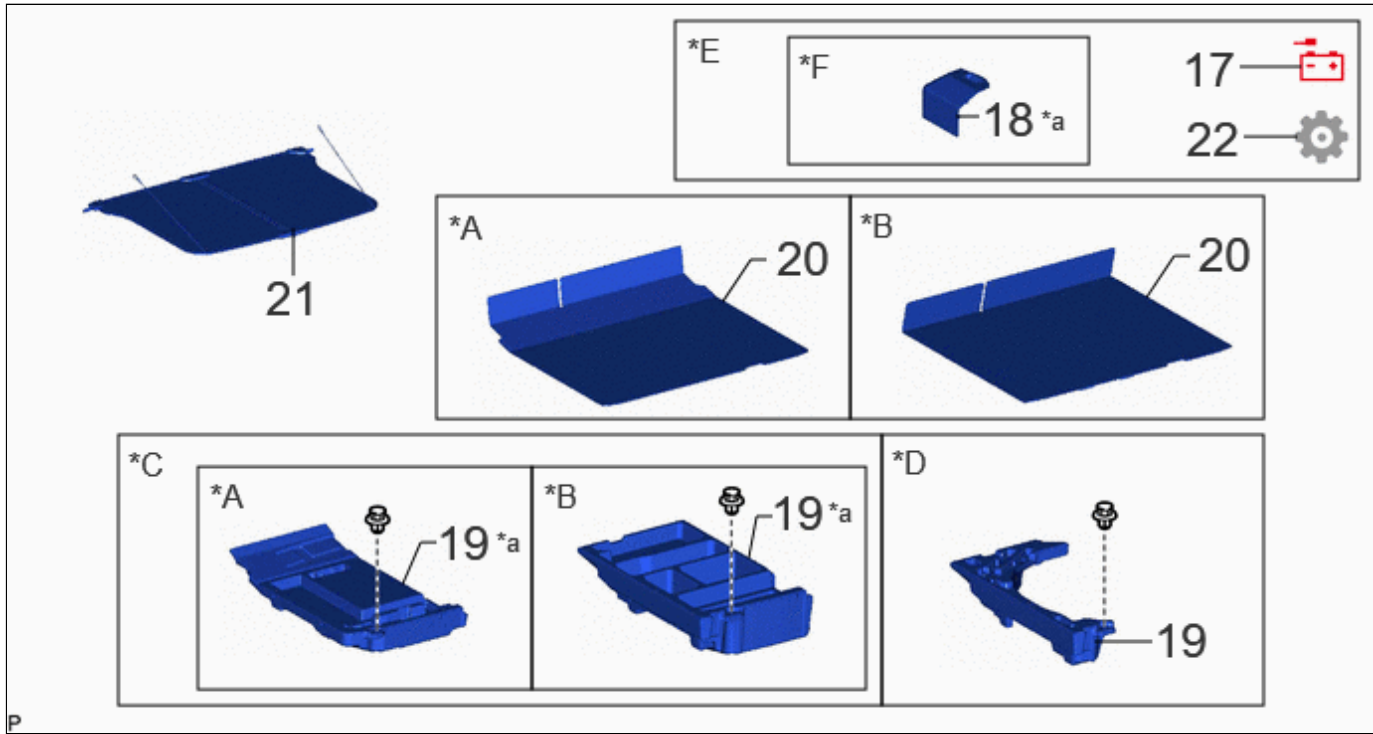
PROCEDURE		PART NAME CODE			
5	REAR DECK TRIM COVER	64716D	-	-	-
6	LUGGAGE HOLD BELT STRIKER ASSEMBLY	58460D	-	-	-
7	REAR SEAT SIDE GARNISH LH	62552F	INFO	-	-
8	REAR SEATBACK HINGE SUB-ASSEMBLY LH	71304C	-	-	-
9	REAR DOOR OPENING TRIM WEATHERSTRIP LH	62332A	-	-	-
10	REAR UNDER SIDE COVER LH	76974E	-	-	-
11	REAR DOOR SCUFF PLATE INSIDE LH	67918F	-	-	-





*A	for LH Side	*B	w/o Rear Seat Side Airbag
*C	w/ Rear Seat Side Airbag	*D	for HEV Model
	Tightening torque for "Major areas involving basic vehicle performance such as moving/turning/stopping": N*m (kgf*cm, ft.*lbf)		-



PROCEDURE		PART NAME CODE			
12	REAR SEAT CUSHION LOCK HOOK	72693	-	-	-
13	REAR SEAT CUSHION ASSEMBLY	-	INFO	-	-
14	REAR SEATBACK ASSEMBLY LH	-	INFO	-	-
15	REAR CENTER SEAT OUTER BELT ASSEMBLY	73350C	-	-	-
16	REAR SEAT HEADREST ASSEMBLY	71940A	-	-	-

	Tightening torque for "Major areas involving basic vehicle performance such as moving/turning/stopping": N*m (kgf*cm, ft.*lbf)	<ul style="list-style-type: none"> Non-reusable part
---	--	---

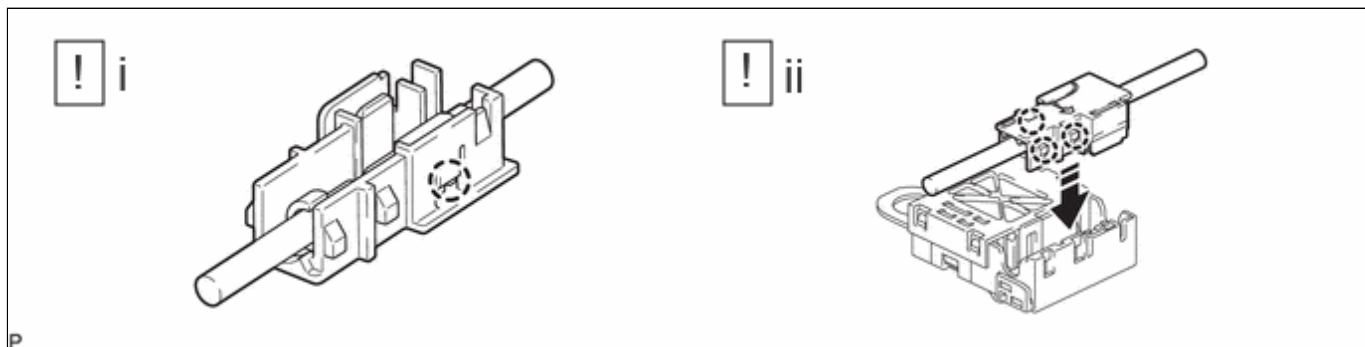



PROCEDURE	PART NAME CODE			
17 CONNECT CABLE TO NEGATIVE AUXILIARY BATTERY TERMINAL	-	-	-	-
18 BATTERY SERVICE HOLE COVER ASSEMBLY	58440	-	-	-
19 DECK FLOOR BOX LH	64997	-	-	-
20 DECK BOARD ASSEMBLY	58410B	-	-	-
21 TONNEAU COVER ASSEMBLY	64910J	-	-	-
22 INITIALIZATION AFTER RECONNECTING AUXILIARY BATTERY TERMINAL	-	-	-	

*A for Type A	*B for Type B
*C w/o Spare Tire	*D w/ Spare Tire
*E w/ Rear Seat Side Airbag	*F for M20A-FXS
*a HINT: As the illustration shown is an example, the actual details may differ.	-

PROCEDURE

1. INSTALL RADIO SETTING CONDENSER



	Install in this Direction	-	-
---	---------------------------	---	---

(1) Engage the claw to install a new terminal cover to the wire harness.

NOTICE:

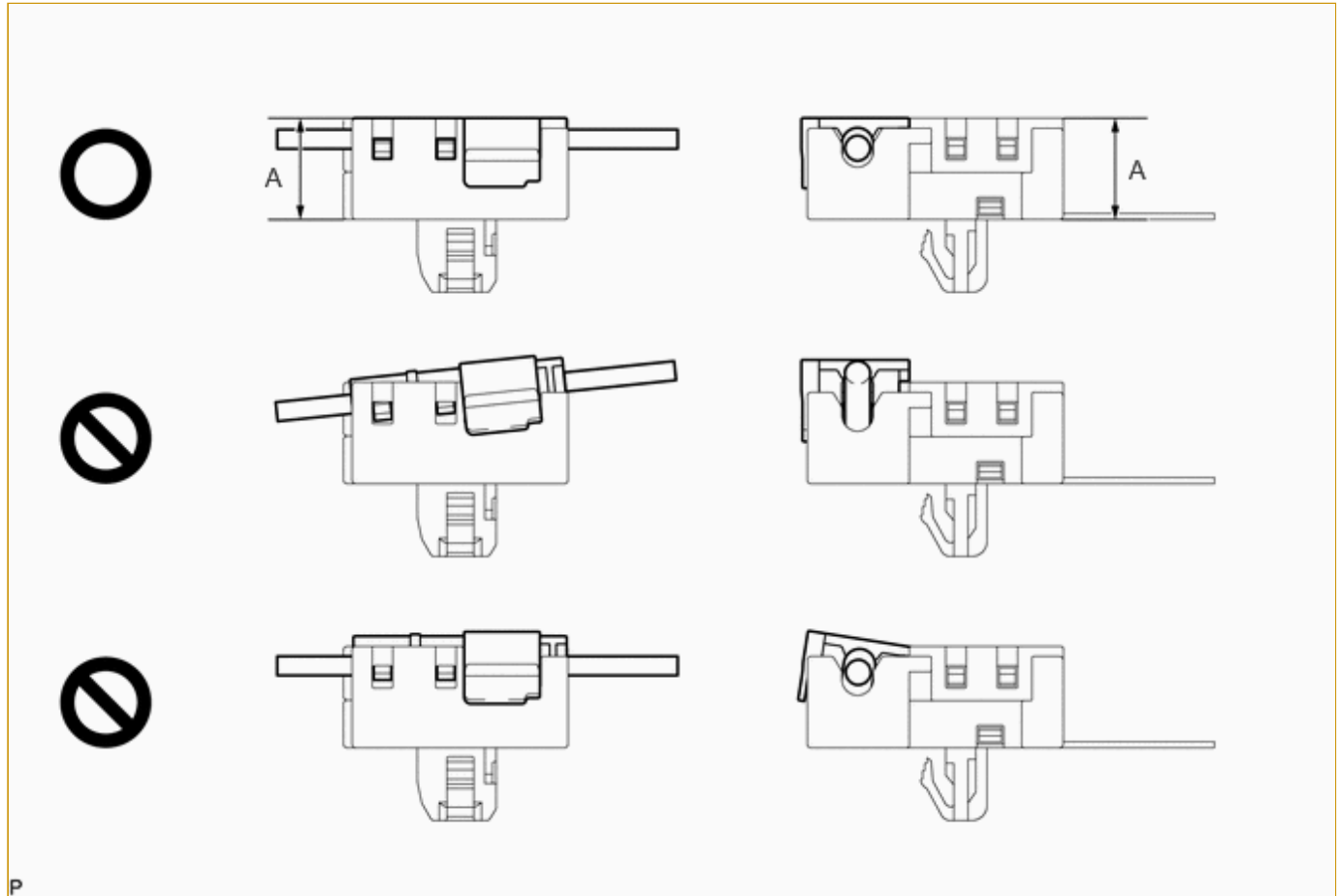
- Make sure to hold the crimping side of the terminal when installing the wire harness to the terminal cover.
- Make sure not to bend the exposed wire when installing the wire harness to the terminal cover.
- Do not use excessive force when inserting the wire harness into the terminal cover.
- If the terminal cover has been deformed during installation, replace the terminal and terminal cover with new ones.

(2) Engage the 3 claws to install the new terminal cover with wire harness to a new condenser as shown in the illustration.

NOTICE:

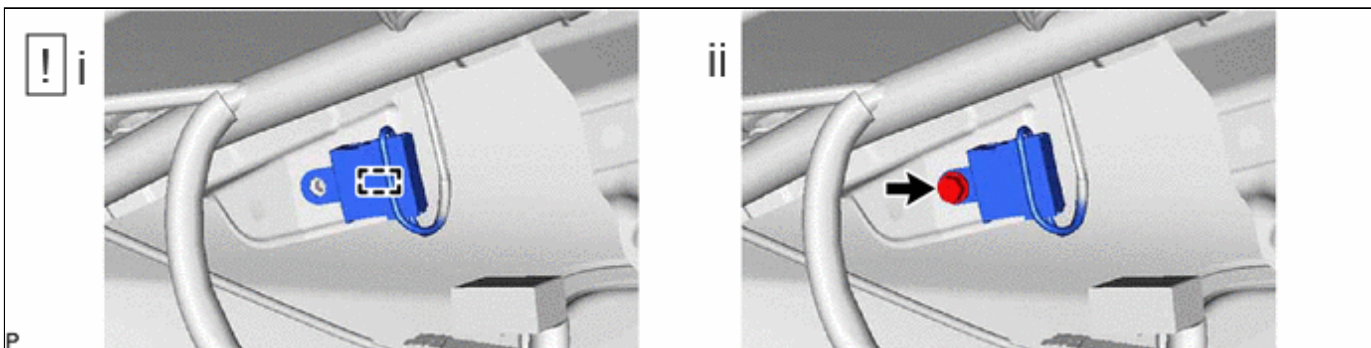
- Do not use excessive force when inserting the terminal covers into the condenser.
- If a terminal cover has been deformed during installation, replace the terminal, terminal covers and condenser with new ones.

- Check that the terminal cover and condenser are on the same plane.



Standard Measurement:

AREA	MEASUREMENT	AREA	MEASUREMENT
A	13.16 mm (0.52 in.) or less	-	-



- (1) Engage the clamp to temporarily install the new radio setting condenser with wire harness.
- (2) Install the new radio setting condenser with the bolt.

Torque:

10 N·m {102 kgf·cm, 7 ft·lbf}

2. INSTALL ROOF SIDE INNER GARNISH ASSEMBLY LH

3. INSTALL DECK TRIM SIDE PANEL ASSEMBLY LH

4. INSTALL LUGGAGE HOLD BELT STRIKER ASSEMBLY (for LH Side)

5. INSTALL REAR DECK TRIM COVER

6. INSTALL LUGGAGE HOLD BELT STRIKER ASSEMBLY (for Rear Side)**7. INSTALL REAR SEAT SIDE GARNISH LH**Click here [INFO](#)**8. INSTALL REAR SEATBACK HINGE SUB-ASSEMBLY LH**Click here [INFO](#)**9. CONNECT REAR DOOR OPENING TRIM WEATHERSTRIP LH****10. INSTALL REAR UNDER SIDE COVER LH (for HEV Model)****11. INSTALL REAR DOOR SCUFF PLATE INSIDE LH****12. INSTALL REAR SEAT CUSHION LOCK HOOK****13. INSTALL REAR SEAT CUSHION ASSEMBLY**Click here [INFO](#)**14. INSTALL REAR SEATBACK ASSEMBLY LH**Click here [INFO](#)**15. CONNECT REAR CENTER SEAT OUTER BELT ASSEMBLY****16. INSTALL REAR SEAT HEADREST ASSEMBLY****17. CONNECT CABLE TO NEGATIVE AUXILIARY BATTERY TERMINAL (w/ Rear Seat Side Airbag)**

(a) for M20A-FXS:

Click here [INFO](#)

(b) for 2ZR-FXE:

Click here [INFO](#)**18. INSTALL BATTERY SERVICE HOLE COVER ASSEMBLY (w/ Rear Seat Side Airbag)****19. INSTALL DECK FLOOR BOX LH****20. INSTALL DECK BOARD ASSEMBLY****21. INSTALL TONNEAU COVER ASSEMBLY****22. INITIALIZATION AFTER RECONNECTING AUXILIARY BATTERY TERMINAL (w/ Rear Seat Side Airbag)****HINT:**

When disconnecting and reconnecting the battery, there is an automatic learning function that completes learning when the respective system is used.

Click here [INFO](#)

