

<b>Last Modified:</b> 12-04-2024	6.11:8.1.0	<b>Doc ID:</b> RM1000000291Z7
<b>Model Year Start:</b> 2023	<b>Model:</b> Prius Prime	<b>Prod Date Range:</b> [12/2022 -     ]
<b>Title:</b> AUDIO / VIDEO: AUDIO AND VISUAL SYSTEM: B15A387; Stereo Component Amplifier Missing Message; 2023 - 2024 MY Prius Prius Prime [12/2022 -     ]		

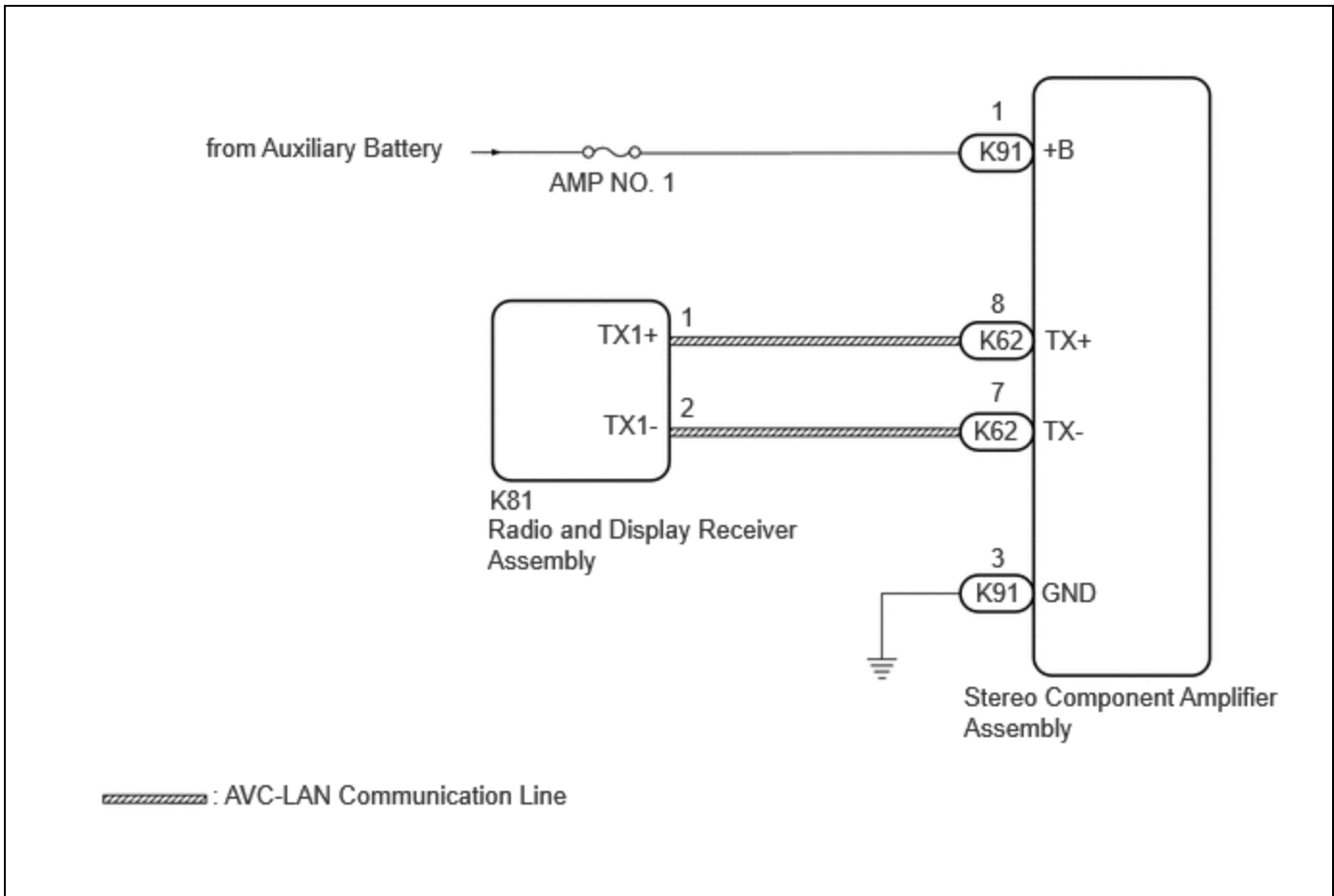
<b>DTC</b>	<b>B15A387</b>	<b>Stereo Component Amplifier Missing Message</b>
------------	----------------	---

## DESCRIPTION

This DTC is stored when the radio and display receiver assembly detects that the stereo component amplifier assembly has disconnected.

DTC NO.	DETECTION ITEM	DTC DETECTION CONDITION	TROUBLE AREA	DTC OUTPUT FROM	PRIORITY
B15A387	Stereo Component Amplifier Missing Message	When 60 seconds has elapsed after turning the ignition switch to ON and the stereo component amplifier assembly cannot be detected, the stereo component amplifier assembly is judged to be disconnected after comparison with the past registered devices history.  (2 trip detection logic)	<ul style="list-style-type: none"> <li>Radio and display receiver assembly</li> <li>Stereo component amplifier assembly</li> <li>Harness or connector</li> </ul>	Navigation System	A

## WIRING DIAGRAM



## CAUTION / NOTICE / HINT

### NOTICE:

- Inspect the fuses for circuits related to this system before performing the following procedure.
- Depending on the parts that are replaced during vehicle inspection or maintenance, performing initialization, registration or calibration may be needed.

Click here [INFO](#)

### HINT:

There may be a communication malfunction due to noise affecting communication between devices on the AVC-LAN.

## PROCEDURE

<b>1.</b>	<b>CHECK HARNESS AND CONNECTOR (STEREO COMPONENT AMPLIFIER ASSEMBLY - POWER SOURCE AND BODY GROUND)</b>
-----------	---

Pre-procedure1

(a) Disconnect the K91 stereo component amplifier assembly connector.

Procedure1

(b) Measure the resistance according to the value(s) in the table below.

Standard Resistance:



[Click Location & Routing\(K91\)](#)

[Click Connector\(K91\)](#)

TESTER CONNECTION	CONDITION	SPECIFIED CONDITION	RESULT
K91-3 (GND) - Body ground	Always	Below 1 $\Omega$	$\Omega$

(c) Measure the voltage according to the value(s) in the table below.

Standard Voltage:



[Click Location & Routing\(K91\)](#)

[Click Connector\(K91\)](#)

TESTER CONNECTION	CONDITION	SPECIFIED CONDITION	RESULT
K91-1 (+B) - Body ground	Always*1 IG OFF*2	11 to 14 V	V

\*1: for Gasoline Model

\*2: for HV Model

Post-procedure1

(d) None

**NG** **REPAIR OR REPLACE HARNESS OR CONNECTOR**

**OK**



<b>2.</b>	<b>CHECK HARNESS AND CONNECTOR (RADIO AND DISPLAY RECEIVER ASSEMBLY - STEREO COMPONENT AMPLIFIER ASSEMBLY)</b>
-----------	--

Pre-procedure1

(a) Disconnect the K81 radio and display receiver assembly connector.

(b) Disconnect the K62 stereo component amplifier assembly connector.

Procedure1

(c) Measure the resistance according to the value(s) in the table below.

Standard Resistance:



[Click Location & Routing\(K81,K62\)](#)

[Click Connector\(K81\)](#)

[Click Connector\(K62\)](#)

TESTER CONNECTION	CONDITION	SPECIFIED CONDITION	RESULT
K81-1 (TX1+) - K62-8 (TX+)	Always	Below 1 $\Omega$	$\Omega$
K81-2 (TX1-) - K62-7 (TX-)	Always	Below 1 $\Omega$	$\Omega$
K81-1 (TX1+) or K62-8 (TX+) - Body ground	Always	10 k $\Omega$ or higher	k $\Omega$
K81-2 (TX1-) or K62-7 (TX-) - Body ground	Always	10 k $\Omega$ or higher	k $\Omega$

Post-procedure1

(d) None

**NG**  **REPAIR OR REPLACE HARNESS OR CONNECTOR**

**OK**



**3. REPLACE STEREO COMPONENT AMPLIFIER ASSEMBLY**

(a) Replace the stereo component amplifier assembly with a new or known good one.

**HINT:**

Click here 

**NEXT**



**4. CLEAR DTC**

(a) Clear the DTCs.

**Body Electrical > Navigation System > Clear DTCs**

**NEXT**



**5. CHECK FOR DTC**

Pre-procedure1

(a) Turn the ignition switch off.

- (b) Turn the ignition switch to ON and wait for 60 seconds.
- (c) Turn the ignition switch off.
- (d) Turn the ignition switch to ON and wait for 60 seconds.

Procedure1

- (e) Check for DTCs and proceed to the following step.

**Body Electrical > Navigation System > Trouble Codes**

RESULT	PROCEED TO
B15A387 is not output	A
B15A387 is output	B

Post-procedure1

- (f) None

**A ▶ END (STEREO COMPONENT AMPLIFIER ASSEMBLY IS DEFECTIVE)**

**B ▶ REPLACE RADIO AND DISPLAY RECEIVER ASSEMBLY**

