

| | | |
|---|---------------------------|--------------------------------------|
| Last Modified: 12-04-2024 | 6.11:8.1.0 | Doc ID: RM10000000289LX |
| Model Year Start: 2023 | Model: Prius Prime | Prod Date Range: [12/2022 -] |
| Title: ADVANCED DRIVER ASSISTANCE SYSTEM: FRONT CAMERA SYSTEM: C00CA11; Camera "A" Heater Control Circuit Short to Ground; 2023 - 2024 MY Prius Prius Prime [12/2022 -] | | |

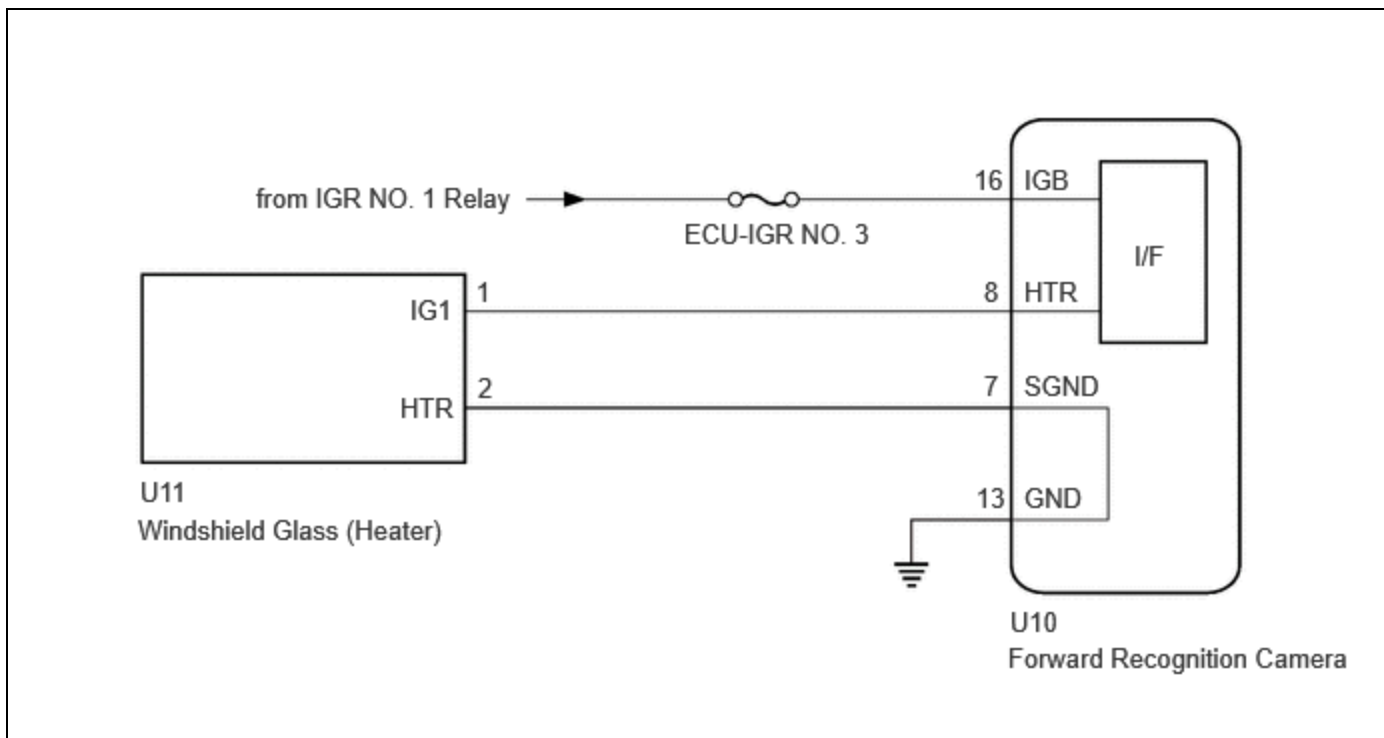
| | | |
|------------|----------------|--|
| DTC | C00CA11 | Camera "A" Heater Control Circuit Short to Ground |
|------------|----------------|--|

DESCRIPTION

Forward recognition camera controls the current to the windshield glass (heater). Forward recognition camera stores DTC C00CA11 when it detects a malfunction in the drive circuit of the windshield glass (heater).

| DTC NO. | DETECTION ITEM | DTC DETECTION CONDITION | TROUBLE AREA | DTC OUTPUT FROM | PRIORITY |
|---------|---|---|--|--------------------------|----------|
| C00CA11 | Camera "A" Heater Control Circuit Short to Ground | When the forward recognition camera detects a short to ground in the hot wire circuit when the heater is turned on or after 10 seconds or more from turning the ignition switch to ON | <ul style="list-style-type: none"> • Windshield glass • Forward recognition camera • Harness or connector | Front Recognition Camera | A |

WIRING DIAGRAM



CAUTION / NOTICE / HINT

CAUTION:

To prevent burns due to the heat of the windshield glass (heater), do not touch the area directly.

NOTICE:

- When replacing the forward recognition camera, always replace it with a new one. If a forward recognition camera which was installed to another vehicle is used, the information stored in the forward recognition camera will not match the information from the vehicle and a DTC may be stored.
- When the forward recognition camera has been replaced with a new one, make sure to clear all stored vehicle control history of each system and the forward recognition camera beam axis alignment data.

HINT:

Forward recognition camera beam axis alignment can be performed by using "One Time Recognition", "Driving Adjustment" or "Camera Axis Adjustment Value Write".

One Time Recognition: [Click here](#) INFO

Driving Adjustment: [Click here](#) INFO

Camera Axis Adjustment Value Write: [Click here](#) INFO

- If the forward recognition camera has been replaced with a new one, make sure to perform Software Version Confirmation.

[Click here](#) INFO

- Inspect the fuses for circuits related to this system before performing the following procedure.

PROCEDURE

| | |
|-----------|------------------|
| 1. | CLEAR DTC |
|-----------|------------------|

(a) Clear the DTCs.

Chassis > Front Recognition Camera > Clear DTCs

NEXT



| | |
|-----------|-----------------------|
| 2. | CHECK FOR DTCs |
|-----------|-----------------------|

Pre-procedure1

(a) Turn the ignition switch to ON and wait for 10 seconds or more.

Procedure1

(b) Check for DTCs.

Chassis > Front Recognition Camera > Trouble Codes

| RESULT | PROCEED TO |
|-----------------------|------------|
| C00CA11 is not output | A |
| C00CA11 is output | B |

Post-procedure1

(c) None

A  **USE SIMULATION METHOD TO CHECK**

B



| | |
|-----------|------------------|
| 3. | CLEAR DTC |
|-----------|------------------|

Pre-procedure1

(a) Disconnect the U11 windshield glass (heater) connector.

Procedure1

(b) Clear the DTCs.

Chassis > Front Recognition Camera > Clear DTCs

Post-procedure1

(c) None

NEXT



| | |
|-----------|--|
| 4. | CHECK WINDSHIELD GLASS (HEATER) |
|-----------|--|

Pre-procedure1

(a) Turn the ignition switch to ON and wait for 10 seconds or more.

Procedure1

(b) Check for DTCs.

Chassis > Front Recognition Camera > Trouble Codes

| RESULT | PROCEED TO |
|-----------------------|------------|
| C00CA11 is not output | A |
| C00CA11 is output | B |

Post-procedure1

(c) None

A ▶ REPLACE WINDSHIELD GLASS (HEATER) INFO

B ▼

5. CHECK HARNESS AND CONNECTOR (FORWARD RECOGNITION CAMERA - WINDSHIELD GLASS (HEATER))

Pre-procedure1

(a) Disconnect the U10 forward recognition camera connector.

Procedure1

(b) Measure the resistance according to the value(s) in the table below.

Standard Resistance:



[Click Location & Routing\(U10,U11\)](#)

[Click Connector\(U10\)](#)

[Click Connector\(U11\)](#)

| TESTER CONNECTION | CONDITION | SPECIFIED CONDITION | RESULT |
|--|-----------|---------------------|--------|
| U10-8 (HTR) or U11-1 (IG1) - Body ground and other terminals | Always | 10 kΩ or higher | kΩ |

Post-procedure1

(c) None

OK ▶ REPLACE FORWARD RECOGNITION CAMERA INFO

NG ▶ REPAIR OR REPLACE HARNESS OR CONNECTOR

