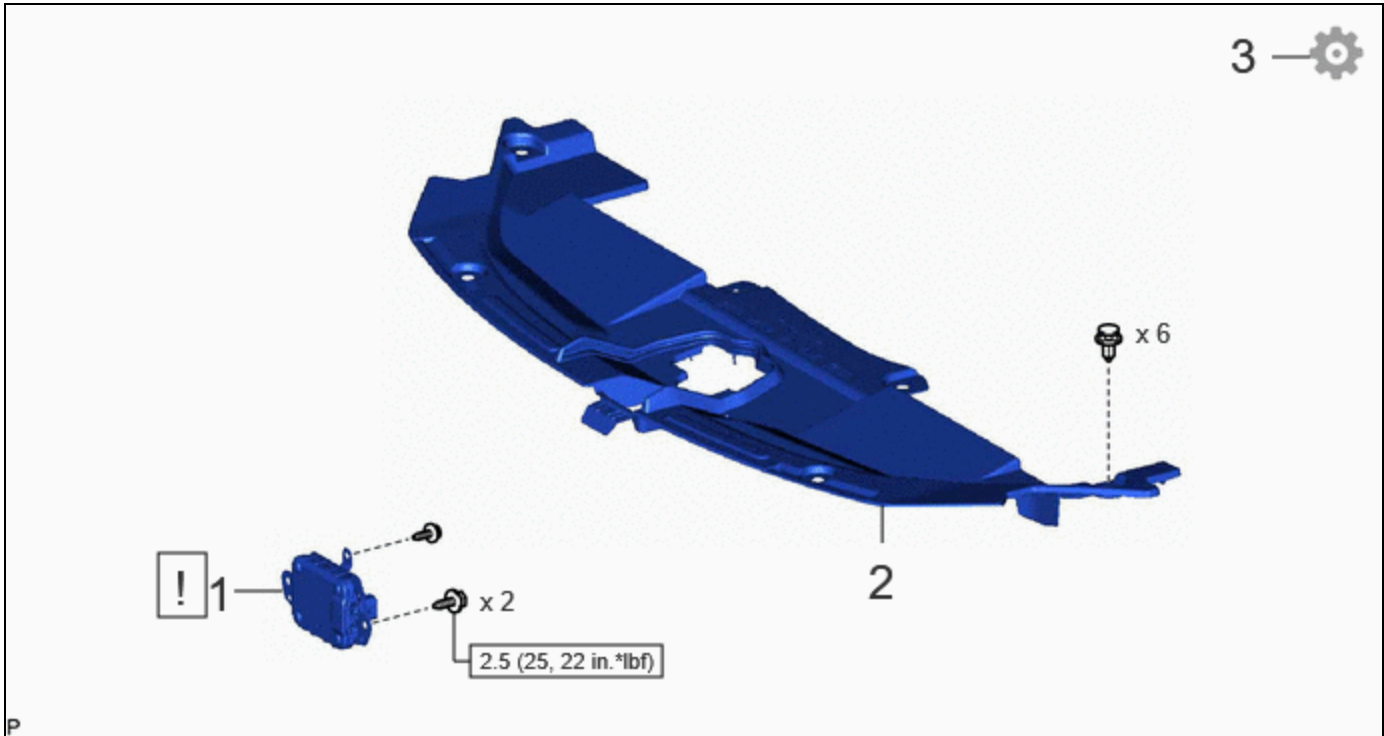


Last Modified: 12-04-2024	6.11:8.1.0	Doc ID: RM1000000289PG
Model Year Start: 2023	Model: Prius Prime	Prod Date Range: [12/2022 -]
Title: ADVANCED DRIVER ASSISTANCE SYSTEM: MILLIMETER WAVE RADAR SENSOR: INSTALLATION; 2023 - 2024 MY Prius Prius Prime [12/2022 -]		

INSTALLATION

CAUTION / NOTICE / HINT

COMPONENTS (INSTALLATION)



	PROCEDURE	PART NAME CODE			
1	MILLIMETER WAVE RADAR SENSOR ASSEMBLY	88211B	INFO	-	-
2	RADIATOR SUPPORT OPENING COVER	53289A	-	-	-
3	ADJUST MILLIMETER WAVE RADAR SENSOR ASSEMBLY	88211B	-	-	INFO

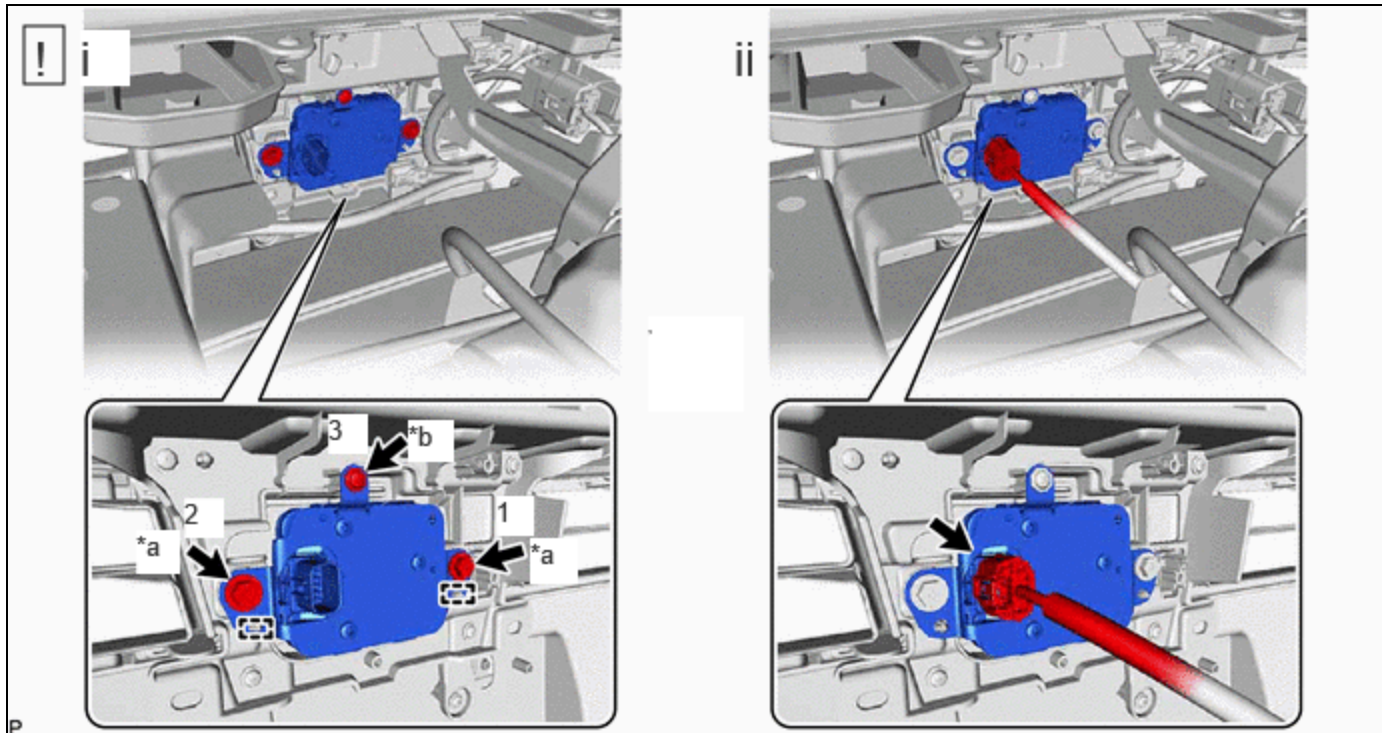
	N*m (kgf*cm, ft.*lbf): Specified torque	-	-
--	---	---	---

PROCEDURE

1. INSTALL MILLIMETER WAVE RADAR SENSOR ASSEMBLY

**NOTICE:**

If the millimeter wave radar sensor assembly has been struck or dropped, replace the millimeter wave radar sensor assembly with a new one.



*a	Bolt
*b	Screw

(1) Engage the 2 guides and install the millimeter wave radar sensor assembly with the 2 bolts and screw in the order shown in the illustration.

Torque:**Bolt: :****2.5 N·m {25 kgf·cm, 22 in·lbf}****NOTICE:**

Do not overtighten the screw. The radiator grille may be damaged.

(2) Connect the connector.

2. INSTALL RADIATOR SUPPORT OPENING COVER**3. ADJUST MILLIMETER WAVE RADAR SENSOR ASSEMBLY**

(a) When the millimeter wave radar sensor assembly is replaced with a new one, adjustment of the radar sensor beam axis must be performed.

HINT:

Millimeter wave radar sensor assembly learning can be performed by using either Triangle Target, Flat Surface Target or Driving Adjustment.

- Target Adjustment (Triangle Target):

[Click here](#) INFO

- Target Adjustment (Flat Surface Target):

[Click here](#) INFO

- Driving Adjustment:



[Click here](#) **INFO**

