

STEERING SYSTEM

PRECAUTION

1. **HANDLING PRECAUTIONS FOR SRS AIRBAG SYSTEM (SEE PAGE RS-1)**
2. **HANDLING PRECAUTIONS FOR STEERING COLUMN**
 - (a) When handling the steering column assembly:
 - (1) Avoid any impact to the steering column assembly, especially to the motor or the torque sensor. Replace with a new one if dropped or subjected to the severe impact.
 - (2) Do not pull on the wire harness when moving the steering column assembly.
 - (3) When the steering column assembly or other steering-related parts have been removed and either reinstalled or replaced, perform the steering center point adjustment (zero point calibration) (see page IN-32).
 - (b) When disconnecting and reconnecting the connectors:
 - (1) When disconnecting the connector related to the electronic motor power steering system, turn the power switch ON (IG), center the steering wheel, turn the power switch off, and then disconnect the connector.
 - (2) When reconnecting the connector related to the electronic motor power steering system, turn the power switch OFF, Center the steering wheel, and then turn the power switch ON (IG) before reconnecting the connector.

NOTICE:
Do not turn the power switch ON (IG) when the steering wheel is not centered.
 - (3) If the procedures above are not perform properly, the steering center point (zero point) will deviate, which will lead to a difference in steering effort between right and left. If there is a difference in the steering effort between right and left, perform the steering center point adjustment (zero point calibration) (see page IN-32).

NOTICE:
FOR INITIALIZATION
When disconnecting the cable from the negative (-) battery terminal, initialize the following systems after the cable is reconnected.

| System Name | See Page |
|-----------------------------|----------|
| Power Window Control System | IN-32 |

NOTICE:
FOR HYBRID SYSTEM ACTIVATION

- **When the warning light is illuminated or the battery has been disconnected and reconnected, press the power switch may not start the system on the first try. If so, press the power switch again.**
- **With the power switch's power mode changed to ON (IG), disconnect the battery. If the key is not in the slot during reconnection, DTC B2799 may be output.**

PROBLEM SYMPTOMS TABLE

HINT:

Use the table below to help determine the cause of the problem symptom. The potential causes of the symptoms are listed in order of probability in the "Suspected area" column of the table. Check each symptom by checking the suspected areas in the order they are listed. Replace parts as necessary.

Steering system

| Symptom | Suspected area | See page |
|--|---|----------|
| Hard steering | 1. Front tires (improperly inflated, unevenly worn) | TW-3 |
| | 2. Front wheel alignment (Incorrect) | SP-2 |
| | 3. Front suspension (Lower ball joint) | SP-24 |
| | 4. Steering intermediate shaft | SR-11 |
| | 5. Steering column | SR-5 |
| | 6. Steering gear | PS-48 |
| | 7. Power steering ECU | SR-16 |
| Poor return | 1. Front tires (improperly inflated, unevenly worn) | TW-3 |
| | 2. Front wheels alignment (Incorrect) | SP-2 |
| | 3. Steering column | SR-5 |
| | 4. Steering gear | PS-48 |
| | 5. Power steering ECU | SR-16 |
| No free play or excessive play | 1. Steering intermediate shaft | SR-11 |
| | 2. Steering gear | PS-48 |
| Knocking (or clanking) sound occurs when turning steering wheel back and forth while power steering is in operation. | 1. Steering intermediate shaft | SR-11 |
| | 2. Front suspension (Lower ball joint) | SP-24 |
| | 3. Front axle hub (Hub bearing) | AH-4 |
| | 4. Steering gear | PS-48 |
| Friction sound occurs when turning steering wheel during low speed driving. | 1. Power steering motor | SR-7 |
| | 2. Steering column | SR-5 |
| High-pitched sound (squealing sound) occurs when turning steering wheel slowly with vehicle stopped. | 1. Power steering motor | SR-7 |
| Steering wheel vibrates and noise occurs when turning steering wheel from lock to lock. | 1. Power steering motor | SR-7 |
| | 2. Steering column | SR-5 |

ON-VEHICLE INSPECTION

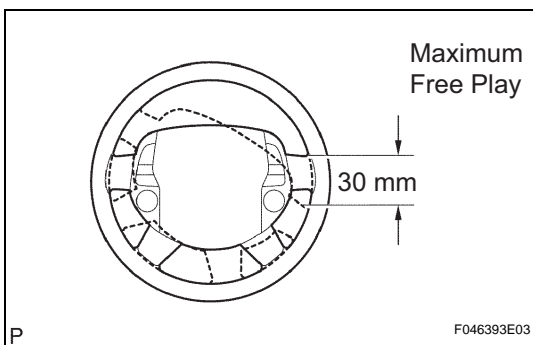
1. CHECK STEERING WHEEL FREE PLAY

- (a) Stop the vehicle and align the tires straight ahead.
- (b) Turn the steering wheel gently right and left, and check the steering wheel free play.

Maximum free play:

30 mm (1.18 in.)

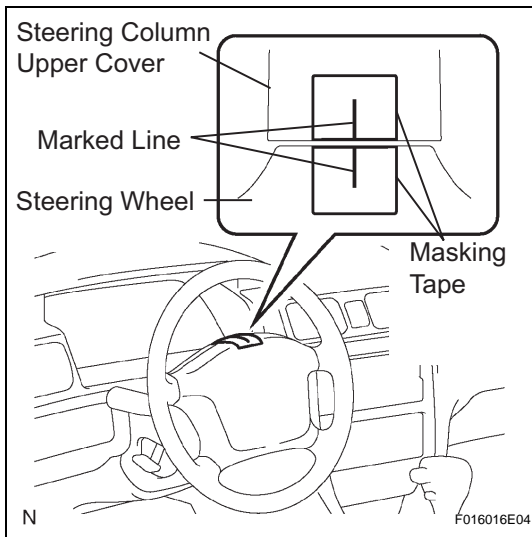
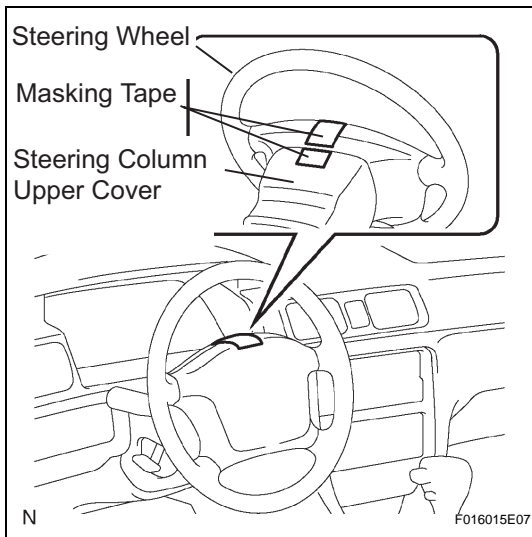
If the free play exceeds the maximum, replace the steering intermediate shaft sub-assembly or steering gear.



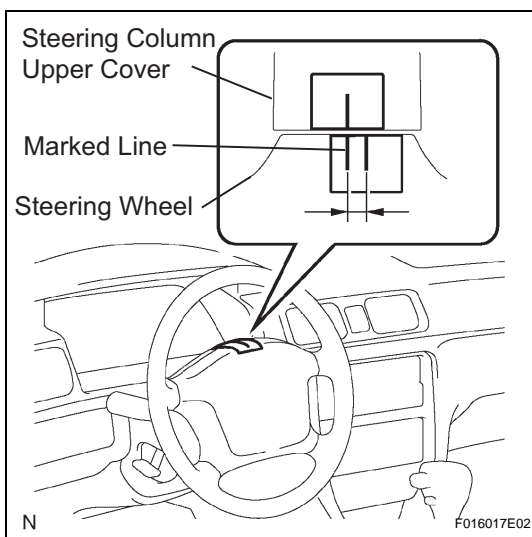
REPAIR

1. STEERING POSITION

- (a) Apply masking tape on the top center of the steering wheel and steering column upper cover.
- (b) Drive the vehicle in a straight line for 100 m (328 ft.) at a constant speed of 56 km/h (35 mph), and hold the steering wheel to maintain the course.



- (c) Draw a line on the masking tape as shown in the illustration.



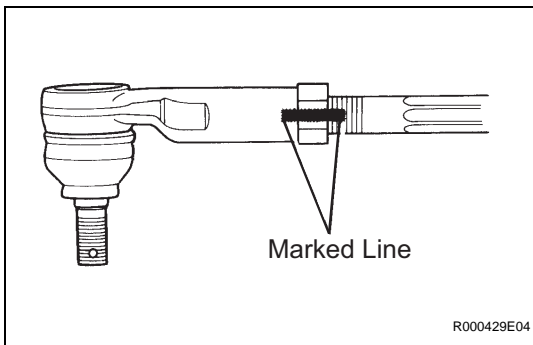
- (d) Rotate the steering wheel to the center position.
HINT:
Locate the center position by looking at: 1) the upper surface of the steering wheel, 2) the upper cover, and 3) the horizontal line of the "SRS Airbag" symbol imprinted on the steering pad.
- (e) Draw a new line on the masking tape on the steering wheel as shown in the illustration.
- (f) Measure the distance between the 2 lines on the masking tape on the steering wheel.
- (g) Calculate the measured distance in terms of steering angle.

Reference:

$$1 \text{ mm (0.004 in.)} = 1^\circ$$

HINT:

Make a note of the steering angle.

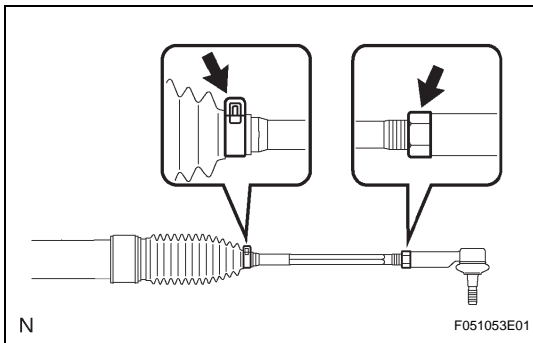


2. ADJUST STEERING ANGLE

- (a) Draw a line on the RH and LH tie rod ends and rack ends, respectively, where it can be easily seen.
- (b) Using a paper gauge, measure the distance from the RH and LH tie rod ends to the rack end screws.

HINT:

- Measure both the RH and LH sides.
- Make a note of the measured values.



- (c) Remove the RH and LH boot clips from the rack boots.
- (d) Loosen the RH and LH lock nuts.
- (e) Turn the RH and LH rack ends equally in different directions according to the steering angle.

Reference:

One 360° turn of rack end (1.5 mm (0.059 in.) horizontal movement) is equal to 13° of steering angle.

- (f) Tighten the RH and LH lock nuts.
Torque: 74 N*m (750 kgf*cm, 54 ft.*lbf)

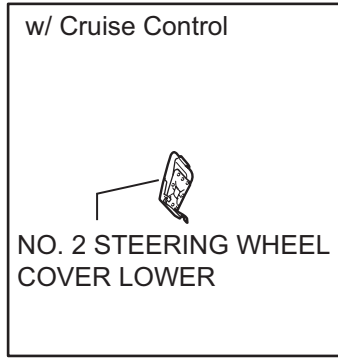
NOTICE:

Make sure that the difference in length between the RH and LH tie rod ends and rack end screws is within 1.5 mm (0.059 in.).

- (g) Install the RH and LH boot clips.
- (h) Perform the steering angle sensor zero point calibration (see page [IN-32](#)).

STEERING COLUMN ASSEMBLY

COMPONENTS



STEERING PAD ASSEMBLY

STEERING WHEEL ASSEMBLY

8.8 (90, 78 in.*lbf)

50 (510, 37)

NO. 2 STEERING WHEEL COVER LOWER

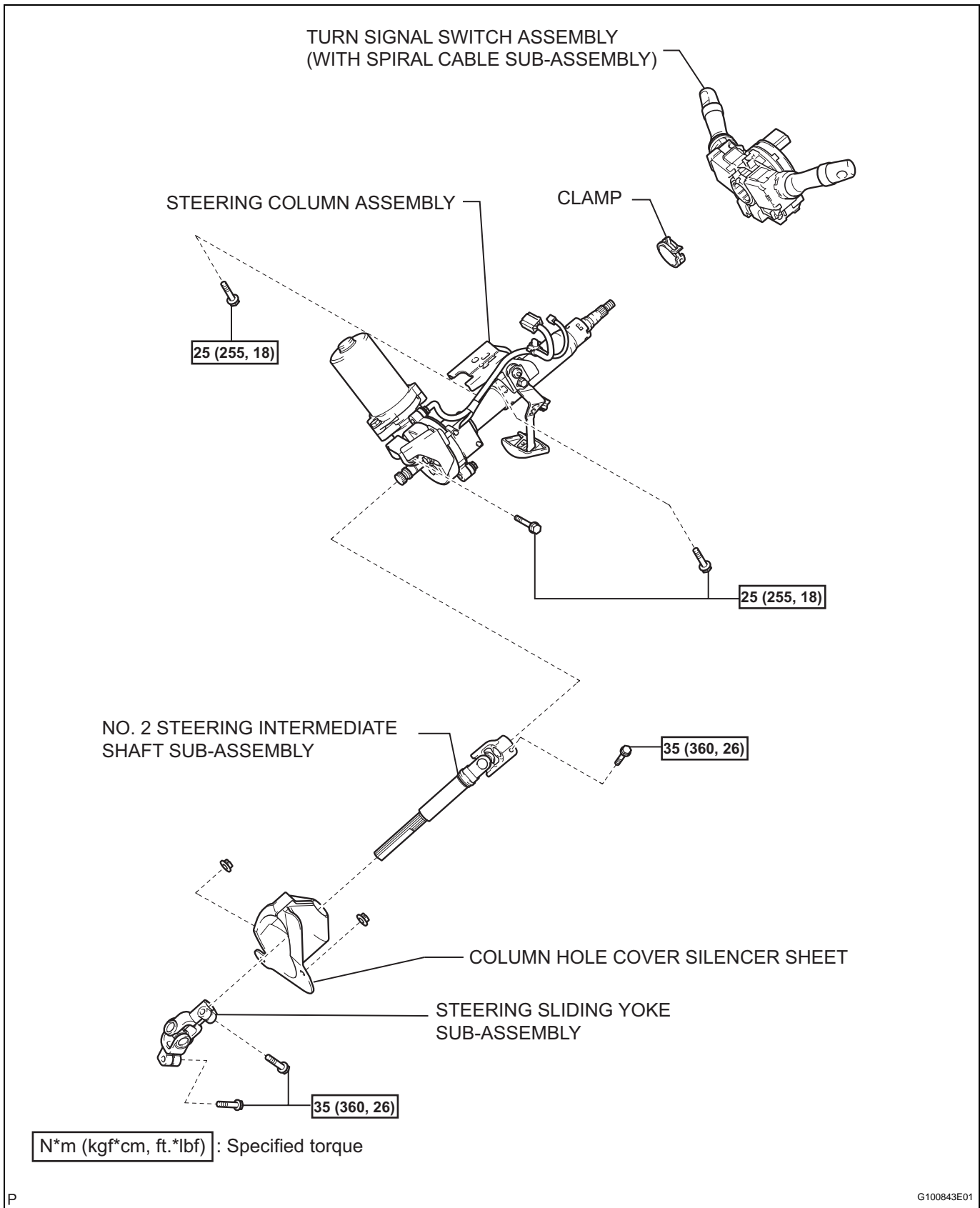
STEERING COLUMN UPPER COVER

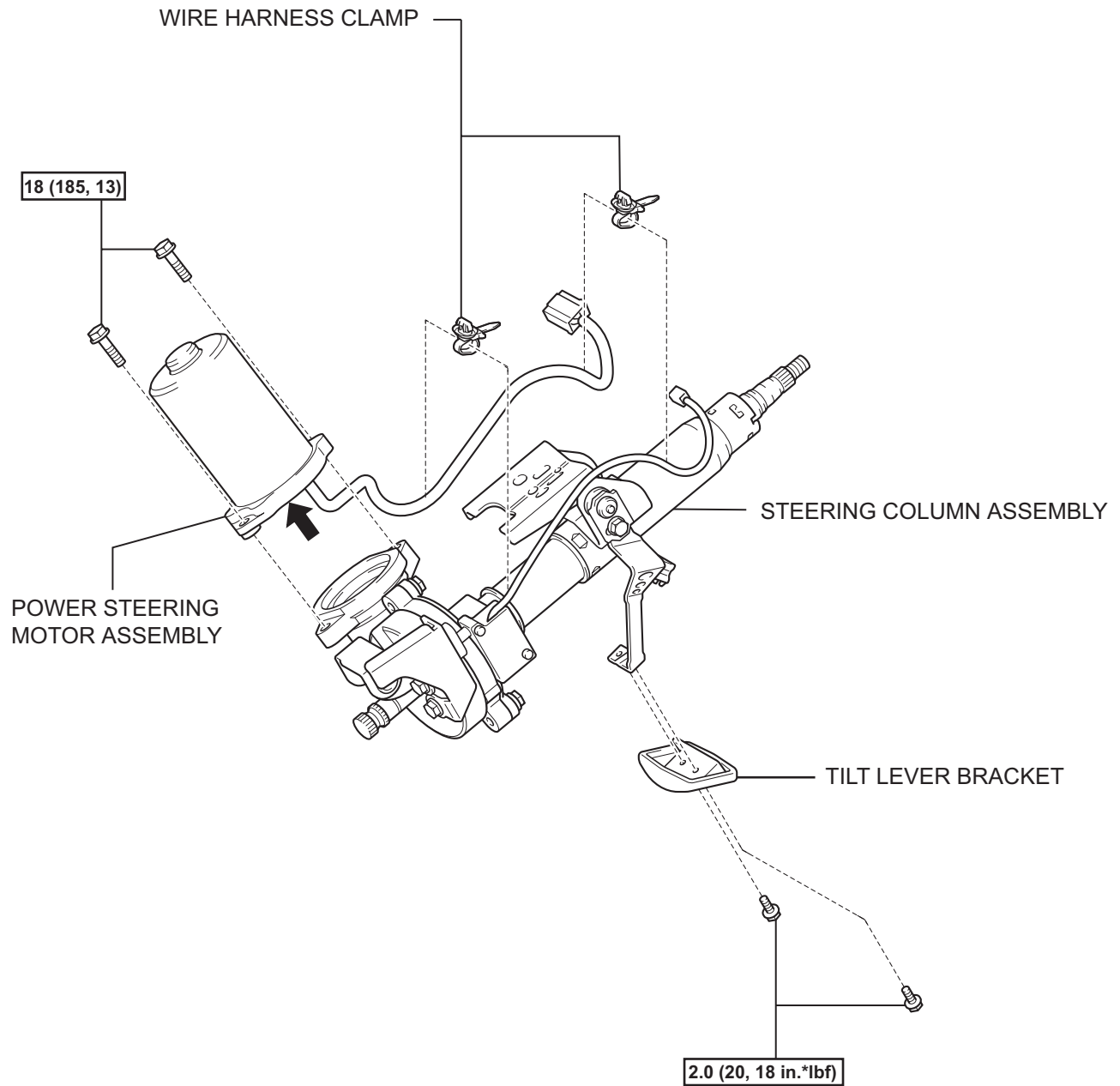
8.8 (90, 78 in.*lbf)

NO. 3 STEERING WHEEL COVER LOWER

STEERING COLUMN LOWER COVER

N*m (kgf*cm, ft.*lbf) : Specified torque



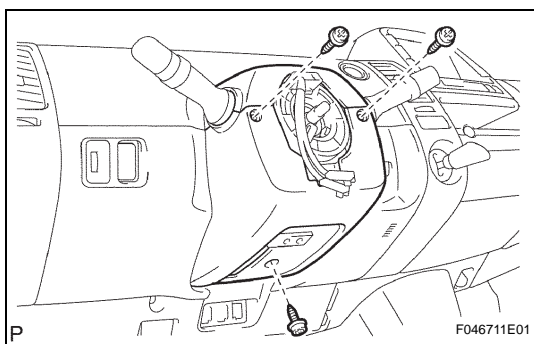
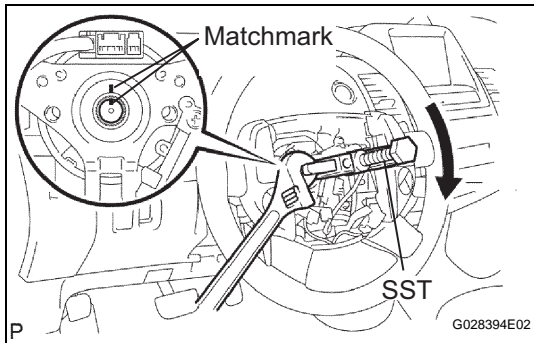


N*m (kgf*cm, ft.*lbf) : Specified torque

← MP grease

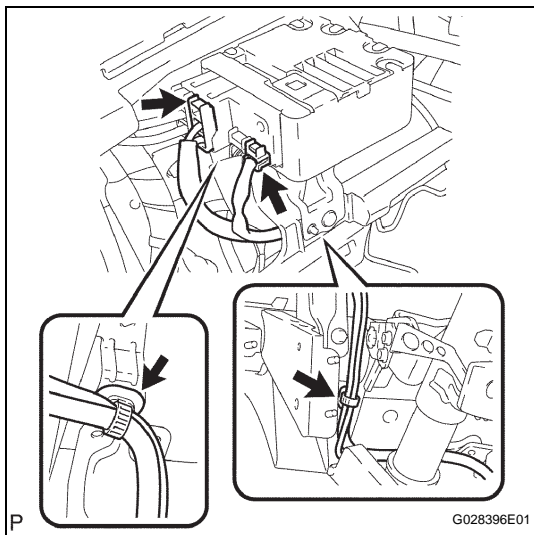
REMOVAL

1. REMOVE NO. 2 REAR FLOOR BOARD
2. REMOVE REAR DECK FLOOR BOX
3. REMOVE NO. 3 REAR FLOOR BOARD ASSEMBLY
4. DISCONNECT CABLE FROM NEGATIVE BATTERY TERMINAL
CAUTION:
Wait at least 90 seconds after disconnecting the cable from the negative (-) battery terminal to prevent airbag and seat belt pretensioner activation.
5. PLACE FRONT WHEELS FACING STRAIGHT AHEAD
6. REMOVE NO. 2 STEERING WHEEL COVER LOWER
7. REMOVE NO. 3 STEERING WHEEL COVER LOWER
8. REMOVE STEERING PAD ASSEMBLY (See page [RS-268](#))
9. REMOVE STEERING WHEEL ASSEMBLY
 - (a) Remove the nut and put matchmarks on the steering wheel and steering main shaft.
 - (b) Using SST, remove the steering wheel.
SST 09950-50013 (09951-05010, 09952-05010, 09953-05020, 09954-05021)



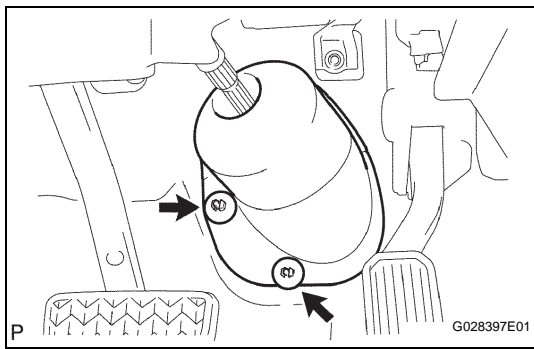
10. REMOVE TILT LEVER BRACKET
 - (a) Remove the 2 screws and tilt lever bracket.
11. REMOVE STEERING COLUMN COVER
 - (a) Detach the 4 claws and remove the 3 screws. Then remove the steering column lower cover and the steering column upper cover.
12. REMOVE TURN SIGNAL SWITCH ASSEMBLY
 - (a) Remove the clamp and remove the turn signal switch from the steering column.
13. REMOVE SPIRAL CABLE SUB-ASSEMBLY (See page [RS-278](#))
14. REMOVE FRONT DOOR INSIDE SCUFF PLATE LH (See page [IR-7](#))

15. REMOVE FRONT DOOR INSIDE SCUFF PLATE RH (See page [IR-7](#))
16. REMOVE COWL SIDE TRIM BOARD LH (See page [IR-7](#))
17. REMOVE COWL SIDE TRIM BOARD RH (See page [IR-7](#))
18. REMOVE NO. 1 INSTRUMENT PANEL REGISTER ASSEMBLY (See page [IP-5](#))
19. REMOVE LOWER INSTRUMENT PANEL FINISH PANEL SUB-ASSEMBLY (See page [IP-6](#))
20. REMOVE UPPER INSTRUMENT PANEL FINISH PANEL SUB-ASSEMBLY (See page [IP-6](#))
21. REMOVE NO. 3 INSTRUMENT PANEL REGISTER ASSEMBLY (See page [IP-6](#))
22. REMOVE NO. 4 INSTRUMENT PANEL REGISTER ASSEMBLY (See page [IP-6](#))
23. REMOVE NO. 2 INSTRUMENT PANEL REGISTER ASSEMBLY (See page [IP-7](#))
24. REMOVE MULTI-DISPLAY (See page [NS-172](#))
25. REMOVE GLOVE COMPARTMENT DOOR STOPPER SUB-ASSEMBLY (See page [IP-7](#))
26. REMOVE GLOVE COMPARTMENT DOOR ASSEMBLY (See page [IP-7](#))
27. REMOVE GLOVE COMPARTMENT DOOR (See page [IP-7](#))
28. REMOVE NO. 1 INSTRUMENT PANEL SPEAKER PANEL SUB-ASSEMBLY (w/ JBL Sound System)
29. REMOVE FRONT PILLAR GARNISH CORNER PIECE RH (See page [IR-7](#))
30. REMOVE FRONT PILLAR GARNISH CORNER PIECE LH (See page [IR-7](#))
31. REMOVE FRONT PILLAR GARNISH ASSEMBLY LH (See page [IR-8](#))
32. REMOVE FRONT PILLAR GARNISH ASSEMBLY RH (See page [IR-8](#))
33. DISCONNECT PASSENGER AIRBAG CONNECTOR (See page [RS-282](#))
34. REMOVE INSTRUMENT PANEL PASSENGER AIRBAG ASSEMBLY (See page [RS-282](#))

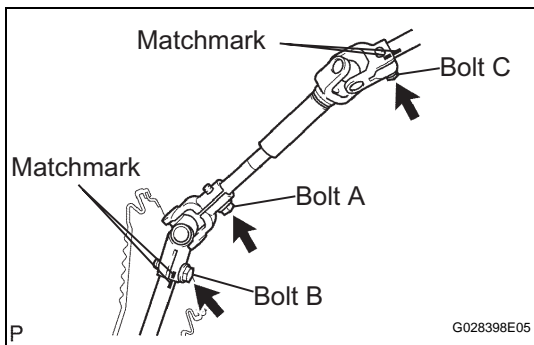


- 35. DISCONNECT POWER STEERING ECU ASSEMBLY**
- Disconnect the torque sensor wire harness clamp from the bottom surface of the power steering ECU.
 - Disconnect the torque sensor wire harness clamp from the instrument panel reinforcement.
 - Disconnect the 2 steering column connectors from the power steering ECU.

- 36. REMOVE FRONT FLOOR FOOTREST LH**
- Using a flat head screwdriver, pull the front floor footrest forward, detach the 2 clips, and remove the front floor footrest.

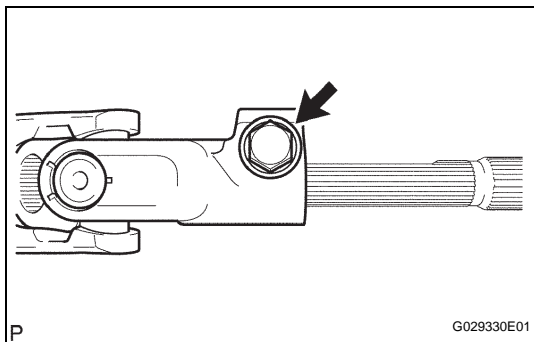


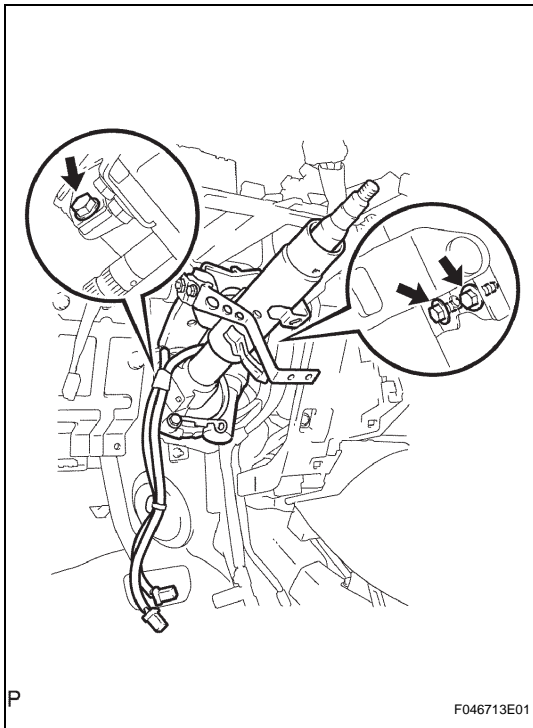
- 37. REMOVE COLUMN HOLE COVER SILENCER SHEET**
- Fold back the floor carpet and remove the 2 clips and column hole cover silencer sheet.



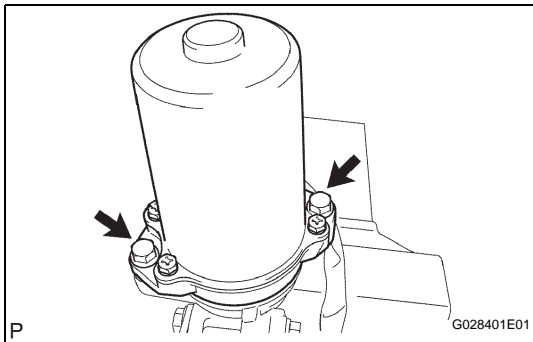
- 38. REMOVE NO. 2 STEERING INTERMEDIATE SHAFT SUB-ASSEMBLY**
- Loosen the bolt labeled A on the steering sliding yoke.
 - Put matchmarks on the steering intermediate shaft and steering intermediate shaft.
 - Remove the bolt labeled B and separate the steering intermediate shaft from the steering intermediate shaft.
 - Put matchmarks on the steering intermediate shaft and steering column.
 - Remove the bolt labeled C and separate the steering intermediate shaft from the steering column.

- 39. REMOVE STEERING SLIDING YOKE SUB-ASSEMBLY**
- Remove the bolt and steering sliding yoke from the steering intermediate shaft.



**40. REMOVE STEERING COLUMN ASSEMBLY**

- (a) Disconnect the connectors and wire harness clamps from the steering column.
- (b) Remove the 3 bolts and steering column.

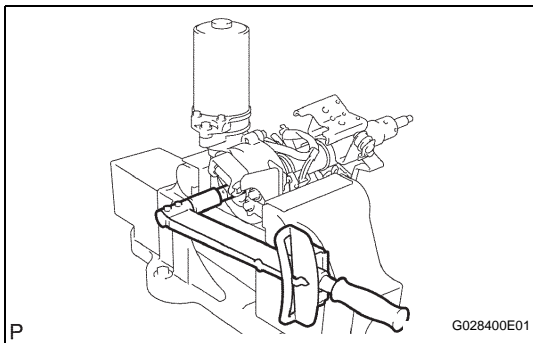
**DISASSEMBLY****1. REMOVE POWER STEERING MOTOR ASSEMBLY**

- (a) Remove the 2 clamps from the power steering motor and torque sensor wire harness.

NOTICE:

Do not damage the clamps.

- (b) Remove the 2 bolts and power steering motor.

**INSPECTION****1. INSPECT STEERING COLUMN ASSEMBLY**

- (a) Using SST and a torque wrench, measure the main shaft turning torque.

SST 09616-00011**Standard turning torque:**

0.4 to 1.1 N*m (4 to 11 kgf*cm, 4 to 10 in.*lb) (2 sec./turn)

- (b) If turning torque is out of the specification, remove the motor and remeasure.

Reference turning torque:

0.1 to 0.6 N*m (1 to 6 kgf*cm, 1 to 5 in.*lb) (2 sec./turn) (motorless)

If turning torque is within the specification, replace the motor with a new one.

If turning torque is out of the specification, replace the steering column assembly with a new one.

REASSEMBLY

1. INSTALL POWER STEERING MOTOR ASSEMBLY

- Secure the steering column in a vise so that the motor installation part is horizontal.
- Apply MP grease to the serrated part of the motor and install it to the steering column.

Reference amount:

0.3 g (0.0106 oz.)

- Using SST, turn the steering main shaft 2 or 3 turns at a rate of one turn per second to seat the motor, and temporarily tighten the 2 bolts.

NOTICE:

- Make sure that the motor is installed vertically and sits under its own weight.
- Temporarily tighten the bolts with the motor properly seated.

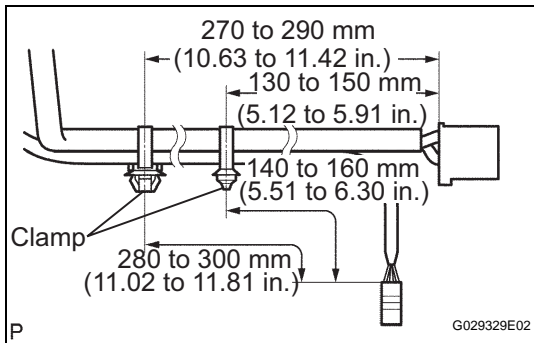
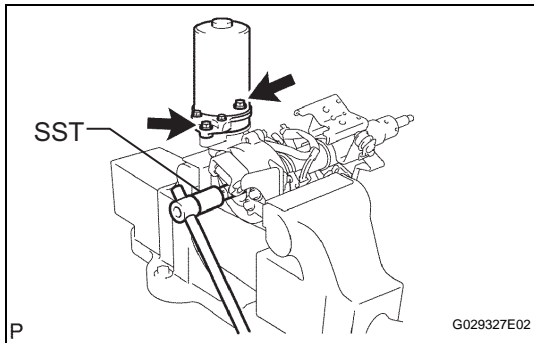
- Fully tighten the 2 bolts.

Torque: 18 N*m (185 kgf*cm, 13 ft.*lbf)

NOTICE:

Do not apply force to the motor in the horizontal direction when tighten the bolts.

- Hold the wire harness for the power steering motor and torque sensor wire harness with the 2 clamps and vinyl tape as shown in the illustration.

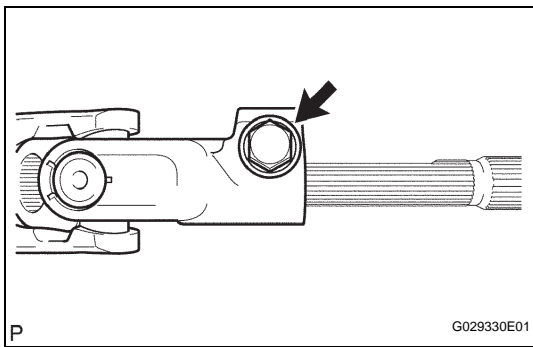


INSTALLATION

1. INSTALL STEERING COLUMN ASSEMBLY

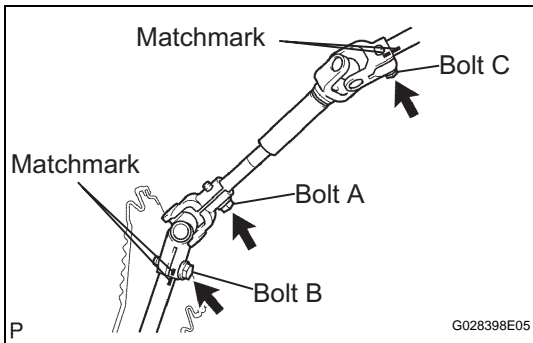
- Install the steering column with the 3 bolts.
Torque: 25 N*m (255 kgf*cm, 18 ft.*lbf)
- Connect the connectors and wire harness clamps to the steering column.





2. INSTALL STEERING SLIDING YOKE SUB-ASSEMBLY

- Temporarily install the steering sliding yoke sub-assembly to the steering intermediate shaft with the bolt.



3. INSTALL STEERING INTERMEDIATE SHAFT SUB-ASSEMBLY

- Align the matchmarks on the steering intermediate shaft assembly and steering column and install them with the bolt labeled C.
Torque: 35 N*m (360 kgf*cm, 26 ft.*lbf)
- Align the matchmark on the steering intermediate shaft and steering intermediate shaft and install them with the bolt labeled B.
Torque: 35 N*m (360 kgf*cm, 26 ft.*lbf)
- Tighten the bolt labeled A on the steering sliding yoke.
Torque: 35 N*m (360 kgf*cm, 26 ft.*lbf)

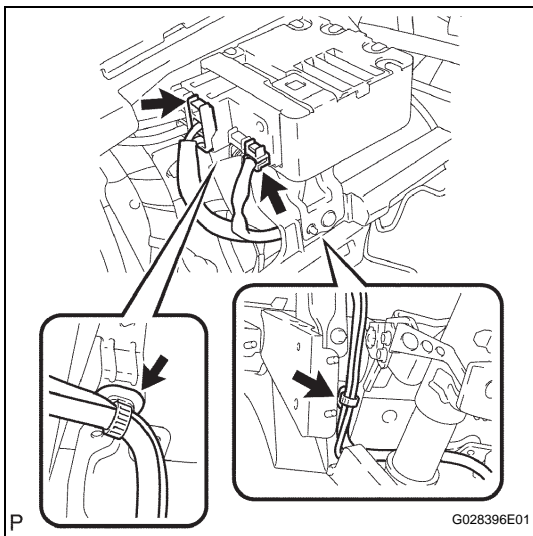
4. INSTALL COLUMN HOLE COVER SILENCER SHEET

5. INSTALL FRONT FLOOR FOOTREST LH

- Attach the 2 clips to install the front floor footrest.

6. INSTALL POWER STEERING ECU ASSEMBLY

- Connect the 2 steering column connectors to the power steering ECU.
- Install the clamp holding the power steering motor and torque sensor wire harness on the bottom surface of the power steering computer.
- Install the torque sensor wire harness clamp to the instrument panel reinforcement.
- Make sure that the power steering motor and torque sensor wire harnesses do not interfere with other parts while tilting up and down the steering column.



7. INSTALL INSTRUMENT PANEL PASSENGER AIRBAG ASSEMBLY (See page [RS-282](#))

8. DISCONNECT PASSENGER AIRBAG CONNECTOR (See page [RS-283](#))

9. INSTALL FRONT PILLAR GARNISH ASSEMBLY LH (See page [IR-18](#))

10. INSTALL FRONT PILLAR GARNISH ASSEMBLY RH (See page [IR-17](#))

11. INSTALL FRONT PILLAR GARNISH CORNER PIECE LH (See page [IR-19](#))

12. INSTALL FRONT PILLAR GARNISH CORNER PIECE RH (See page [IR-19](#))

13. **INSTALL NO. 1 INSTRUMENT PANEL SPEAKER PANEL SUB-ASSEMBLY (w/ JBL Sound System)**
14. **INSTALL GLOVE COMPARTMENT DOOR (See page [IP-12](#))**
15. **INSTALL GLOVE COMPARTMENT DOOR ASSEMBLY (See page [IP-12](#))**
16. **INSTALL GLOVE COMPARTMENT DOOR STOPPER SUB-ASSEMBLY**
17. **INSTALL MULTI-DISPLAY (See page [NS-172](#))**
18. **INSTALL NO. 2 INSTRUMENT PANEL REGISTER ASSEMBLY (See page [IP-12](#))**
19. **INSTALL NO. 4 INSTRUMENT PANEL REGISTER ASSEMBLY (See page [IP-12](#))**
20. **INSTALL NO. 3 INSTRUMENT PANEL REGISTER ASSEMBLY (See page [IP-13](#))**
21. **INSTALL INSTRUMENT PANEL FINISH PANEL SUB-ASSEMBLY (See page [IP-13](#))**
22. **INSTALL NO. 1 INSTRUMENT PANEL REGISTER ASSEMBLY (See page [IP-13](#))**
23. **INSTALL COWL SIDE TRIM BOARD RH (See page [IR-19](#))**
24. **INSTALL COWL SIDE TRIM BOARD LH (See page [IR-19](#))**
25. **INSTALL FRONT DOOR INSIDE SCUFF PLATE LH (See page [IR-18](#))**
26. **INSTALL FRONT DOOR INSIDE SCUFF PLATE RH (See page [IR-18](#))**
27. **INSTALL SPIRAL CABLE SUB-ASSEMBLY (See page [RS-278](#))**
28. **INSPECT SPIRAL CABLE SUB-ASSEMBLY (See page [RS-278](#))**
29. **INSTALL TURN SIGNAL SWITCH ASSEMBLY**
 - (a) Install the turn signal switch to the steering column with the clamp.
30. **INSTALL STEERING COLUMN COVER**
 - (a) Engage the 4 claws to install the steering column upper cover and steering column lower cover.
HINT:
Fully tilt down the steering column when installing the steering column upper cover and fully tilt it up when installing the steering column cover.
31. **INSTALL TILT LEVER BRACKET**
 - (a) Install the tilt level bracket with the 2 screws.
Torque: 2.0 N*m (20 kgf*cm, 18 in.*lbf)

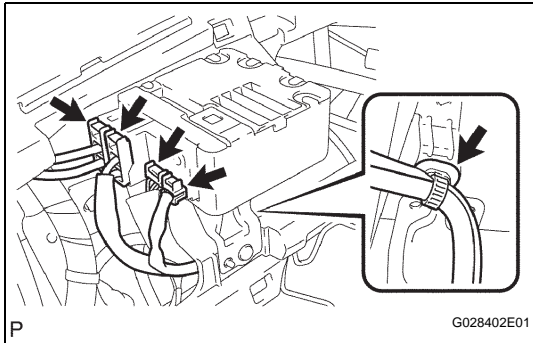
32. **INSPECT STEERING WHEEL CENTER POINT**
HINT:
When the steering wheel is not properly centered, remove and refit to center.
33. **INSTALL STEERING WHEEL ASSEMBLY**
 - (a) Align the matchmarks on the steering wheel and steering main shaft.
 - (b) Install the steering wheel with the set nut.
Torque: 50 N*m (510 kgf*cm, 37 ft.*lbf)
34. **INSTALL STEERING PAD ASSEMBLY (See page [RS-269](#))**
35. **CONNECT CABLE TO BATTERY NEGATIVE TERMINAL**
36. **INSPECT STEERING PAD ASSEMBLY**
 - (a) Inspect the steering pad (see page [RS-267](#)).
37. **INSTALL NO. 3 STEERING WHEEL LOWER COVER**
38. **INSTALL NO. 2 STEERING WHEEL LOWER COVER**
39. **INSTALL REAR NO. 3 FLOOR BOARD ASSEMBLY**
40. **INSTALL REAR DECK FLOOR BOX**
41. **INSTALL REAR NO. 2 FLOOR BOARD**
42. **INSPECT SRS WARNING LIGHT**
 - (a) Inspect SRS warning light (see page [RS-31](#)).
43. **PERFORM CALIBRATION**
 - (a) Perform calibration (see page [PS-13](#)).
44. **PERFORM INITIALIZATION**
 - (a) Perform initialization (see page [IN-32](#)).
NOTICE:
Certain systems need to be initialized after disconnecting and reconnecting the cable from the negative (-) battery terminal.

STEERING CONTROL ECU

REMOVAL

1. **PRECAUTION**
Precaution (see page [SR-1](#))
2. **REMOVE NO. 2 REAR FLOOR BOARD**
3. **REMOVE REAR DECK FLOOR BOX**
4. **REMOVE NO. 3 REAR FLOOR BOARD ASSEMBLY**
5. **DISCONNECT BATTERY NEGATIVE TERMINAL**
CAUTION:
Wait at least 90 seconds after disconnecting the cable from the negative (-) battery terminal to prevent airbag and seat belt pretensioner activation.
6. **REMOVE NO. 1 INSTRUMENT PANEL REGISTER ASSEMBLY** (See page [IP-5](#))
7. **REMOVE INSTRUMENT PANEL FINISH LOWER PANEL SUB-ASSEMBLY** (See page [IP-6](#))
8. **REMOVE INSTRUMENT PANEL FINISH UPPER PANEL SUB-ASSEMBLY** (See page [IP-6](#))
9. **REMOVE NO. 3 INSTRUMENT PANEL REGISTER ASSEMBLY** (See page [IP-6](#))
10. **REMOVE NO. 4 INSTRUMENT PANEL REGISTER ASSEMBLY** (See page [IP-6](#))
11. **REMOVE NO. 2 INSTRUMENT PANEL REGISTER ASSEMBLY** (See page [IP-7](#))
12. **REMOVE MULTI-DISPLAY ASSEMBLY** (See page [NS-172](#))
13. **REMOVE GLOVE COMPARTMENT DOOR STOPPER SUB-ASSEMBLY** (See page [IP-7](#))
14. **REMOVE GLOVE COMPARTMENT DOOR ASSEMBLY** (See page [IP-7](#))
15. **REMOVE GLOVE COMPARTMENT DOOR** (See page [IP-7](#))
16. **REMOVE INSTRUMENT PANEL NO. 1 SPEAKER PANEL SUB-ASSEMBLY** (JBL Sound System)
17. **REMOVE FRONT PILLAR GARNISH CORNER PIECE LH** (See page [IR-19](#))
18. **REMOVE FRONT PILLAR GARNISH CORNER PIECE RH** (See page [IR-19](#))
19. **REMOVE FRONT PILLAR GARNISH LH** (See page [IR-8](#))
20. **REMOVE FRONT PILLAR GARNISH RH** (See page [IR-8](#))

21. REMOVE PASSENGER AIRBAG CONNECTOR (See page [RS-282](#))
22. REMOVE INSTRUMENT PANEL SAFETY PAD ASSEMBLY (See page [IP-8](#))
23. REMOVE POWER STEERING ECU

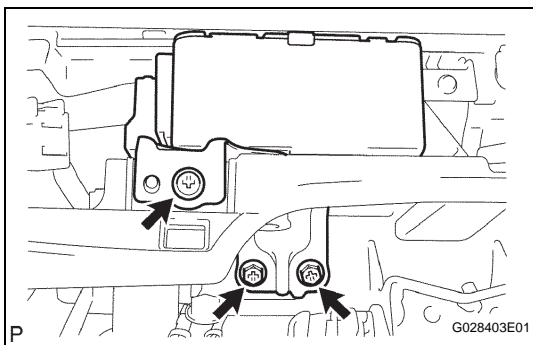


- (a) Separate the torque sensor wire harness clamp from the ECU.

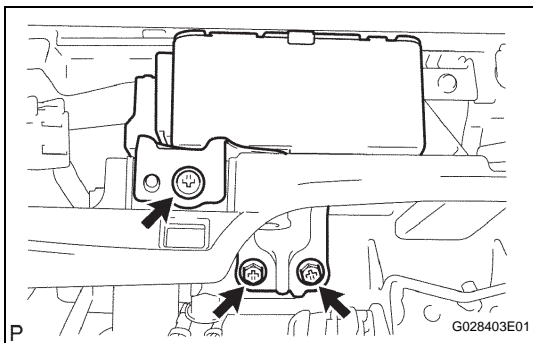
NOTICE:

Be careful not to damage the torque sensor wire harness clamp.

- (b) Disconnect the 4 ECU connectors.



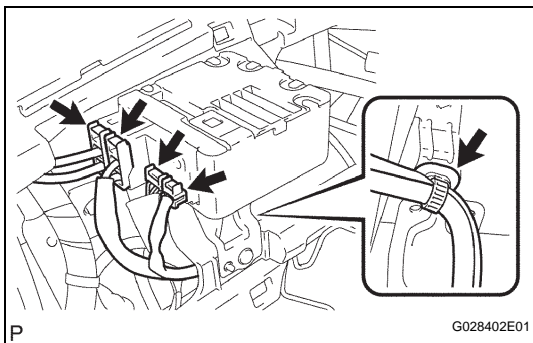
- (c) Remove the 3 screws and ECU.

**INSTALLATION**

1. INSTALL POWER STEERING ECU

- (a) Install the ECU with the 3 screws.
Torque: 5.0 N*m (50 kgf*cm, 44 in.*lbf)

- (b) Connect the 4 ECU connectors.
- (c) Install the torque sensor wire harness clamp to the ECU.



2. INSTALL INSTRUMENT PANEL SAFETY PAD (See page [IP-11](#))
3. INSTALL PASSENGER AIRBAG CONNECTOR (See page [RS-283](#))
4. INSTALL FRONT PILLAR GARNISH LH (See page [IR-18](#))
5. INSTALL FRONT PILLAR GARNISH RH (See page [IR-18](#))
6. INSTALL FRONT PILLAR GARNISH CORNER PIECE LH (See page [IR-19](#))

7. **INSTALL FRONT PILLAR GARNISH CORNER PIECE RH** (See page [IR-19](#))
8. **INSTALL INSTRUMENT PANEL NO. 1 SPEAKER PANEL SUB-ASSEMBLY** (w/ JBL Sound System)
9. **INSTALL GLOVE COMPARTMENT DOOR** (See page [IP-12](#))
10. **INSTALL GLOVE COMPARTMENT DOOR ASSEMBLY** (See page [IP-12](#))
11. **INSTALL GLOVE COMPARTMENT DOOR STOPPER SUB-ASSEMBLY**
12. **INSTALL MULTI-DISPLAY ASSEMBLY** (See page [NS-172](#))
13. **INSTALL NO. 2 INSTRUMENT PANEL REGISTER ASSEMBLY** (See page [IP-12](#))
14. **INSTALL NO. 4 INSTRUMENT PANEL REGISTER ASSEMBLY** (See page [IP-12](#))
15. **INSTALL NO. 3 INSTRUMENT PANEL REGISTER ASSEMBLY** (See page [IP-13](#))
16. **INSTALL INSTRUMENT PANEL FINISH PANEL UPPER SUB-ASSEMBLY** (See page [IP-13](#))
17. **INSTALL INSTRUMENT PANEL FINISH PANEL LOWER SUB-ASSEMBLY** (See page [IP-13](#))
18. **INSTALL NO. 1 INSTRUMENT PANEL REGISTER ASSEMBLY** (See page [IP-13](#))
19. **CONNECT CABLE TO BATTERY NEGATIVE TERMINAL**
20. **INSTALL NO. 3 REAR FLOOR BOARD**
21. **INSTALL REAR DECK FLOOR BOX**
22. **INSTALL NO. 2 REAR FLOOR BOARD**
23. **INSPECT SRS WARNING LIGHT**
 - (a) Inspect the SRS warning light (see page [RS-31](#)).
24. **PERFORM CALIBRATION**
 - (a) Perform calibration (see page [PS-13](#)).
25. **PERFORM INITIALIZATION**
 - (a) Perform initialization (see page [IN-32](#)).

NOTICE:
Certain systems need to be initialized after disconnecting and reconnecting the cable from the negative (-) battery terminal.