

PARKING BRAKE SYSTEM

PROBLEM SYMPTOMS TABLE

HINT:

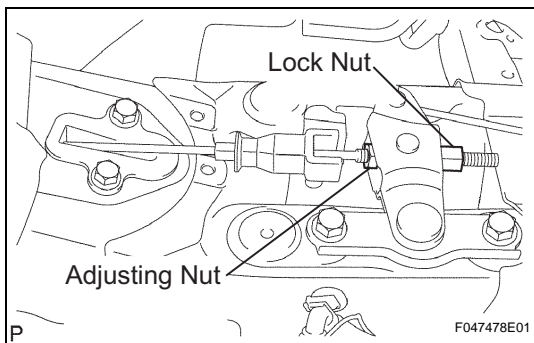
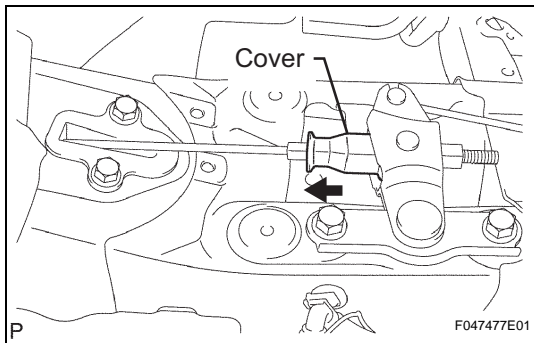
Use the table below to help determine the cause of the problem symptom. The potential causes of the symptoms are listed in order of probability in the "Suspected area" column of the table. Check each symptom by checking the suspected areas in the order they are listed. Replace parts as necessary.

Parking brake system

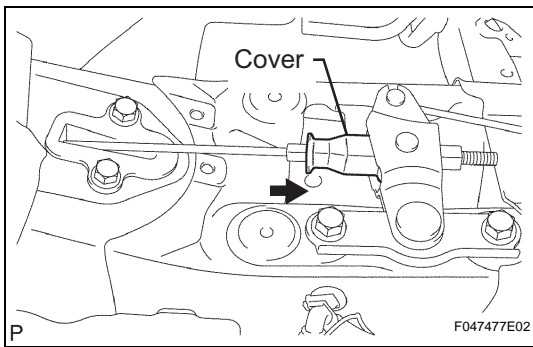
Symptom	Suspected area	See page
Brake drags	1. Parking brake pedal travel (Adjustment necessary)	PB-1
	2. Parking brake wire (Sticking)	PB-14
	3. Parking brake shoe clearance (Adjustment necessary)	BR-53
	4. Parking brake shoe (Cracked or distorted)	BR-47
	5. Tension spring (Damaged)	BR-47

ADJUSTMENT

1. REMOVE REAR WHEEL
2. ADJUST PARKING BRAKE SHOE CLEARANCE (See page BR-53)
3. INSTALL REAR WHEEL
Torque: 103 N*m (1,050 kgf*cm, 76 ft.*lbf)
4. CHECK PARKING BRAKE PEDAL TRAVEL
 - (a) Firmly depress the parking brake pedal.
 - (b) Release the parking brake.
 - (c) Slowly depress the parking brake pedal all the way again and count the number of clicks.
**Standard parking brake pedal travel:
6 to 9 clicks at 300 N (31 kgf)**
5. ADJUST PARKING BRAKE PEDAL TRAVEL
 - (a) Remove the rear console box (see page IP-24).
HINT:
Refer to the procedures from the removal of the upper console panel sub-assembly up until the removal of the rear console box sub-assembly.
 - (b) Remove the front floor footrest (see page SR-10).
 - (c) Remove the 8 bolts and front floor crossmember reinforcement LH.
 - (d) Slide the cover to the rear of the vehicle as shown in the illustration.



- (e) Depress the parking brake pedal 5 clicks. Hold the adjusting nut using a wrench and loosen the lock nut.
- (f) Release the parking brake.
- (g) Turn the lock nut and adjusting nut until parking brake travel is within the specified range.
Torque: 12.5 N*m (127 kgf*cm, 9 ft.*lbf)
- (h) Count the number of clicks after depressing and releasing the parking brake pedal 3 to 4 times.
- (i) Check whether the parking brake drags or not.
- (j) When operating the parking brake pedal, check that the parking brake pedal indicator light comes on.



- (k) Return the cover to the original position as shown in the illustration.
- (l) Install the front floor crossmember reinforcement LH with the 8 bolts.

Torque: 18 N*m (184 kgf*cm, 13 ft.*lbf)

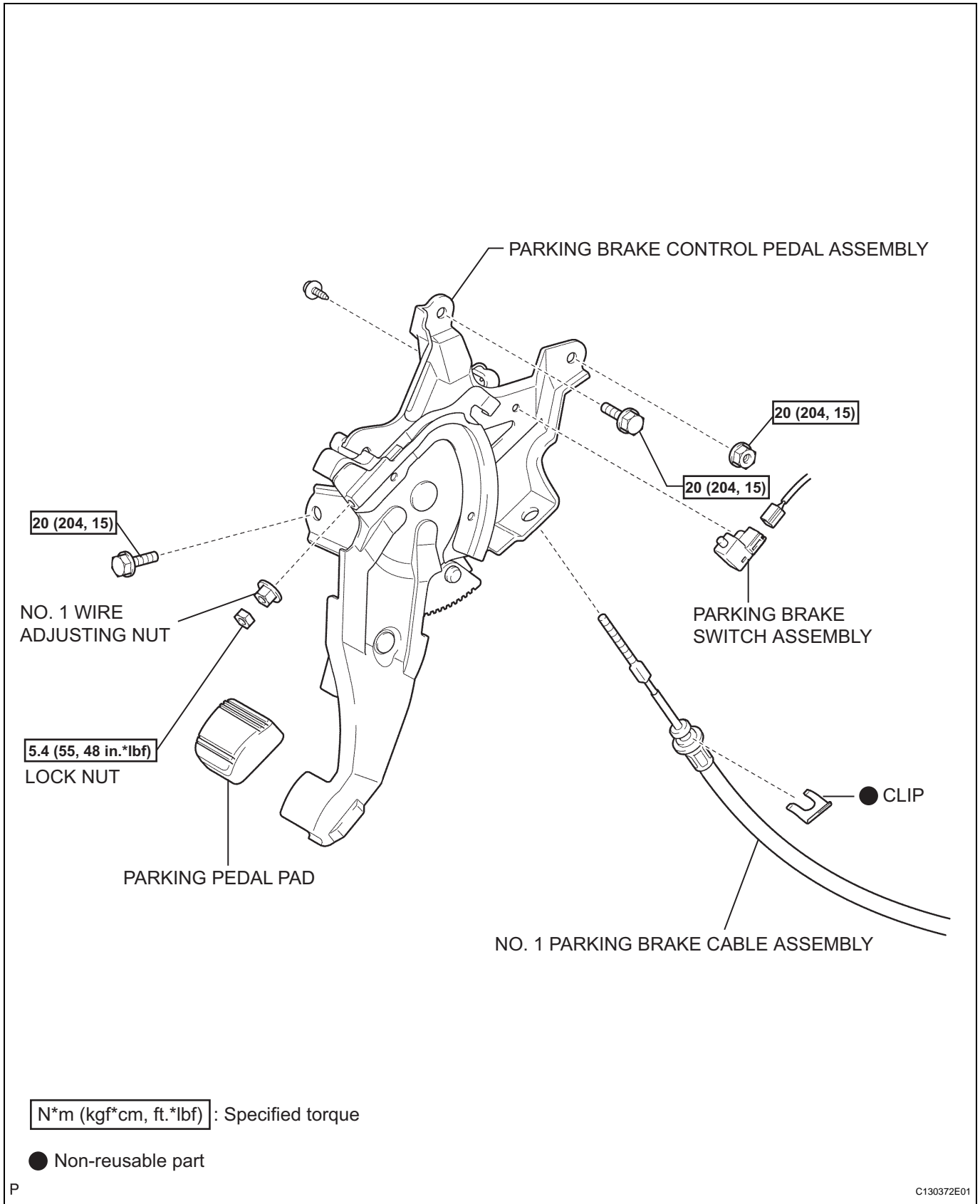
- (m) Install the front floor footrest (see page [SR-13](#)).
- (n) Install the rear console box (see page [IP-25](#)).

HINT:

Refer to the procedures from the installation of the rear console box sub-assembly up until the installation of the upper console panel sub-assembly.

PARKING BRAKE PEDAL

COMPONENTS



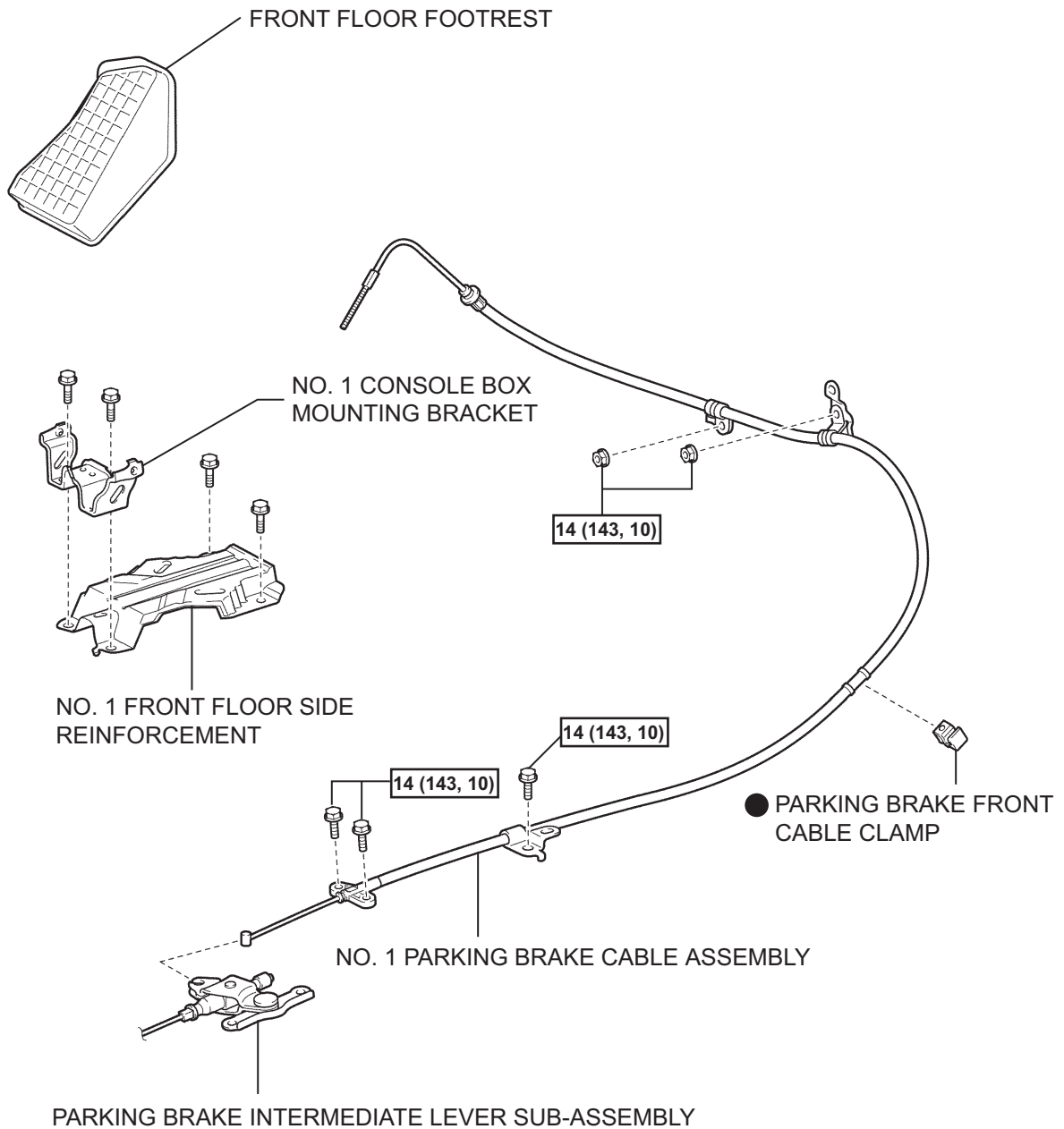
PB

N*m (kgf*cm, ft.*lbf) : Specified torque

● Non-reusable part

P

C130372E01



PB

N*m (kgf*cm, ft.*lbf) : Specified torque

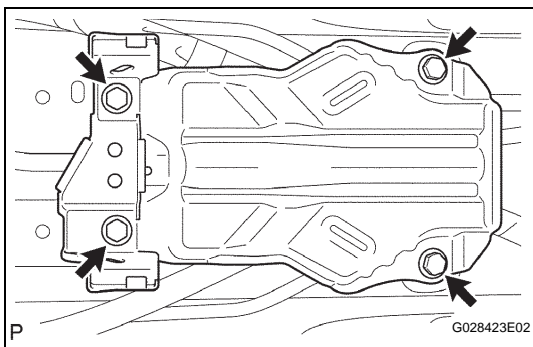
● Non-reusable part

REMOVAL

1. DISCHARGE REFRIGERANT FROM REFRIGERATION SYSTEM (See page [AC-140](#))
2. DISCONNECT SUCTION HOSE SUB-ASSEMBLY (See page [AC-146](#))
3. DISCONNECT COOLER REFRIGERANT LIQUID PIPE E (TO COOLER UNIT) (See page [AC-146](#))
4. DISCONNECT HEATER WATER HOSE B (See page [AC-146](#))
5. DISCONNECT HEATER WATER HOSE A (See page [AC-146](#))
6. REMOVE REAR NO. 2 FLOOR BOARD (See page [HB-153](#))
7. REMOVE REAR DECK FLOOR BOX (See page [HB-153](#))
8. REMOVE REAR NO. 3 FLOOR BOARD (See page [HB-153](#))
9. DISCONNECT CABLE FROM NEGATIVE BATTERY TERMINAL
CAUTION:
Wait at least 90 seconds after disconnecting the cable from the negative (-) battery terminal to prevent airbag and seat belt pretensioner activation.
10. REMOVE INSTRUMENT PANEL SUB-ASSEMBLY
 - (a) Remove the instrument panel (see page [IP-5](#)).
HINT:
Refer to the procedures from the removal of the No. 1 instrument panel register assembly up until the removal of the instrument panel sub-assembly.
11. REMOVE NO. 2 STEERING WHEEL COVER LOWER
12. REMOVE NO. 3 STEERING WHEEL COVER LOWER
13. REMOVE STEERING PAD ASSEMBLY (See page [RS-268](#))
14. REMOVE STEERING WHEEL ASSEMBLY (See page [SR-8](#))
15. REMOVE TILT LEVER BRACKET (See page [SR-8](#))
16. REMOVE STEERING COLUMN COVER (See page [SR-8](#))
17. REMOVE TURN SIGNAL SWITCH ASSEMBLY WITH SPIRAL CABLE SUB-ASSEMBLY (See page [SR-8](#))
18. REMOVE FRONT DOOR SCUFF PLATE LH (See page [IR-7](#))
19. REMOVE FRONT DOOR SCUFF PLATE RH (See page [IR-7](#))

20. REMOVE COWL SIDE TRIM BOARD LH (See page [IR-7](#))
21. REMOVE COWL SIDE TRIM BOARD RH (See page [IR-7](#))
22. REMOVE CENTER INSTRUMENT CLUSTER FINISH PANEL ASSEMBLY (See page [IP-18](#))
23. REMOVE RADIO RECEIVER ASSEMBLY
24. REMOVE LOWER CENTER INSTRUMENT PANEL FINISH PANEL (See page [IP-18](#))
25. REMOVE GLOVE COMPARTMENT DOOR LOCK COVER (See page [IP-18](#))
26. REMOVE GLOVE COMPARTMENT DOOR LOCK ASSEMBLY (See page [IP-18](#))
27. REMOVE LOWER INSTRUMENT PANEL FINISH PANEL (See page [IP-19](#))
28. REMOVE NO. 1 INSTRUMENT PANEL UNDER COVER SUB-ASSEMBLY (See page [IP-19](#))
29. REMOVE POWER STEERING ECU (See page [SR-17](#))
30. REMOVE SHIFT LEVER ASSEMBLY (See page [HX-124](#))
31. REMOVE REAR NO. 3 AIR DUCT (See page [AC-147](#))
32. REMOVE NO. 3 HEATER TO REGISTER DUCT (See page [AC-147](#))
33. REMOVE NO. 1 HEATER TO REGISTER DUCT (See page [AC-147](#))
34. REMOVE NO. 2 HEATER TO REGISTER DUCT (See page [AC-147](#))
35. REMOVE DEFROSTER NOZZLE ASSEMBLY (See page [AC-148](#))
36. REMOVE ECM (See page [ES-469](#))
37. REMOVE HYBRID VEHICLE CONTROL ECU (See page [HV-543](#))
38. REMOVE NETWORK GATEWAY ECU
39. REMOVE NO. 1 INSTRUMENT PANEL BRACE SUB-ASSEMBLY (See page [AC-148](#))
40. REMOVE AIR CONDITIONING AMPLIFIER ASSEMBLY (See page [AC-179](#))
41. REMOVE STEERING COLUMN ASSEMBLY (See page [SR-11](#))
42. REMOVE INSTRUMENT PANEL REINFORCEMENT ASSEMBLY (See page [AC-148](#))
43. REMOVE FRONT SEAT ASSEMBLY LH/RH
 - (a) Remove the front seat LH/RH (see page [SE-4](#)).

44. REMOVE UPPER CONSOLE PANEL SUB-ASSEMBLY
(See page [IP-24](#))
45. REMOVE CONSOLE BOX POCKET
46. REMOVE CONSOLE BOX CARPET
47. REMOVE REAR CONSOLE BOX SUB-ASSEMBLY
(See page [IP-24](#))
48. REMOVE FRONT FLOOR FOOTREST (See page [SR-10](#))
49. REMOVE CENTER AIRBAG SENSOR ASSEMBLY
(See page [RS-306](#))
50. REMOVE YAW RATE SENSOR (w/ VSC) (See page [BC-224](#))

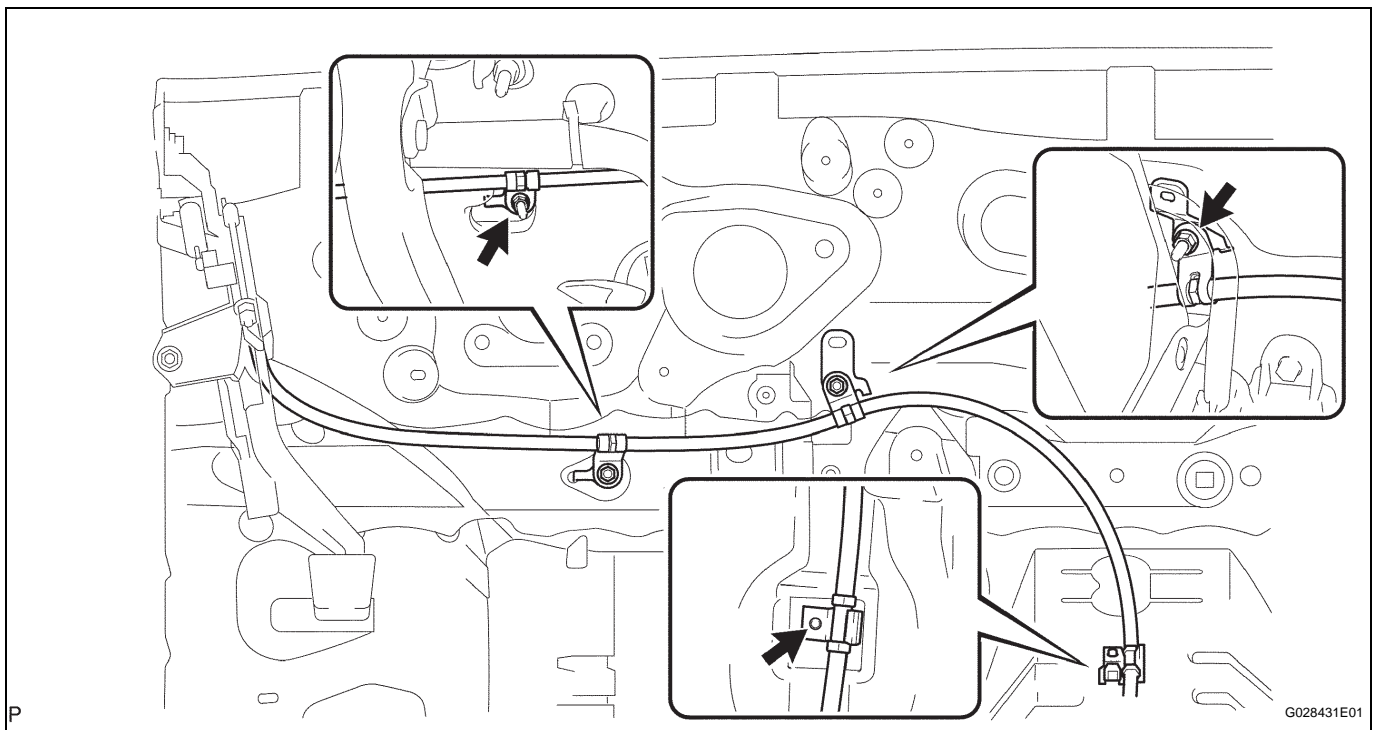


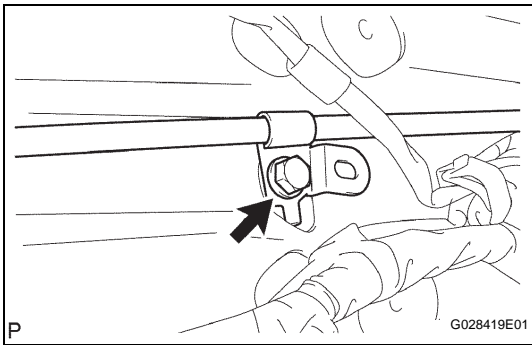
51. REMOVE NO. 1 CONSOLE BOX MOUNTING BRACKET

- (a) Remove the 2 bolts and No. 1 console box mounting bracket.
- (b) Remove the 2 bolts and No. 1 front floor side reinforcement.

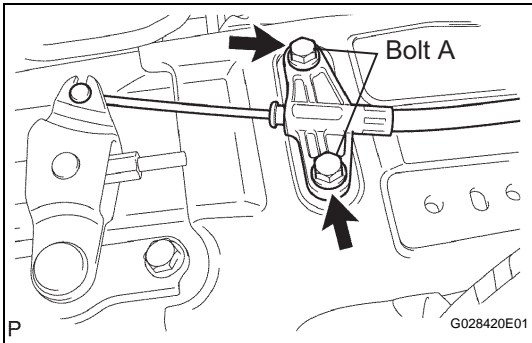
52. REMOVE PARKING BRAKE CONTROL PEDAL ASSEMBLY

- (a) Release the parking brake.
- (b) Remove the 2 No. 1 parking brake cable clamp nuts and parking brake front cable clamp.

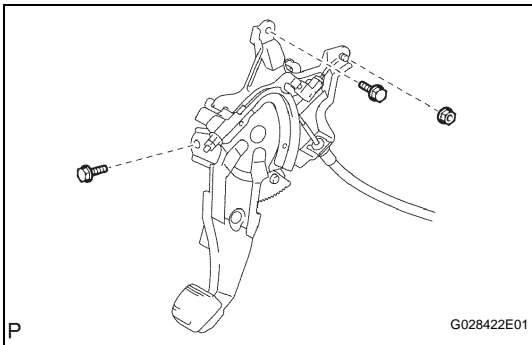




- (c) Remove the clamp bolt from the No. 1 parking brake cable.



- (d) Disconnect the No. 1 parking brake cable from the parking brake intermediate lever.
 (e) Remove the 2 bolts labeled A shown in the illustration and separate the No. 1 parking brake cable from the floor.
 (f) Disconnect the connector from the parking brake switch connector and remove the harness clamp from the pedal bracket.



- (g) Remove the 2 bolts, nut and parking brake pedal.

53. REMOVE NO. 1 PARKING BRAKE CABLE ASSEMBLY (See page PB-16)

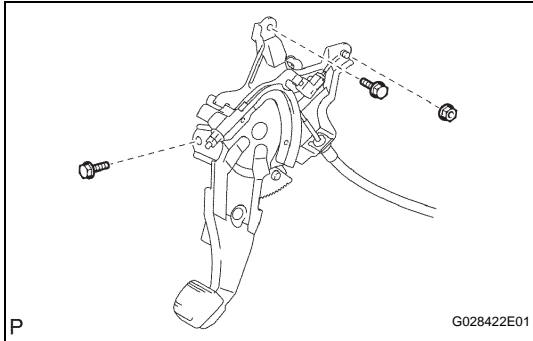
54. REMOVE PARKING BRAKE SWITCH ASSEMBLY

- (a) Remove the screw and parking brake switch.

55. REMOVE PARKING PEDAL PAD

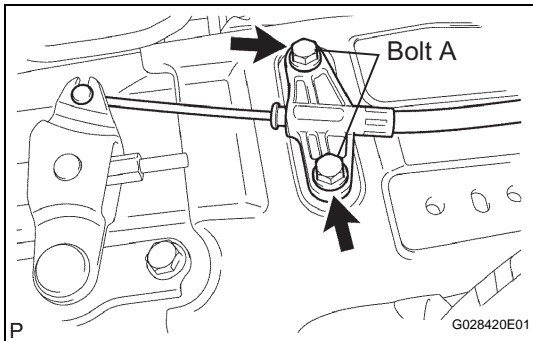
INSTALLATION

1. **INSTALL PARKING PEDAL PAD**
2. **INSTALL PARKING BRAKE SWITCH ASSEMBLY**
 - (a) Install the parking brake switch with the screw.
3. **INSTALL NO. 1 PARKING BRAKE CABLE ASSEMBLY**
(See page [PB-19](#))

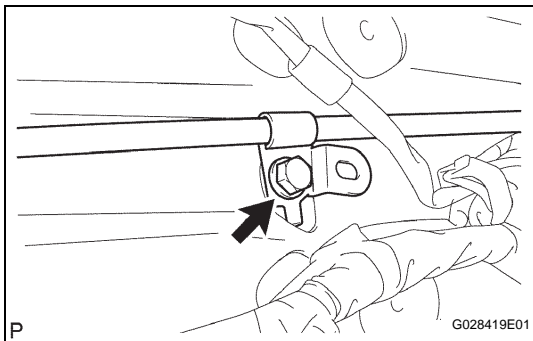


4. **INSTALL PARKING BRAKE CONTROL PEDAL ASSEMBLY**

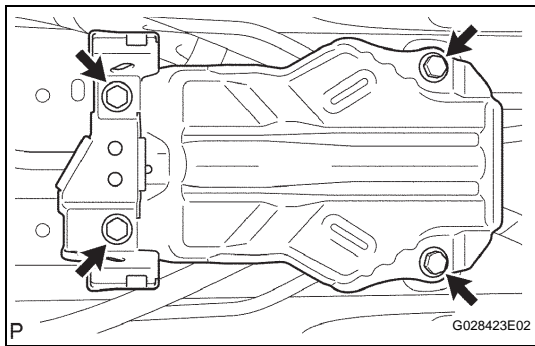
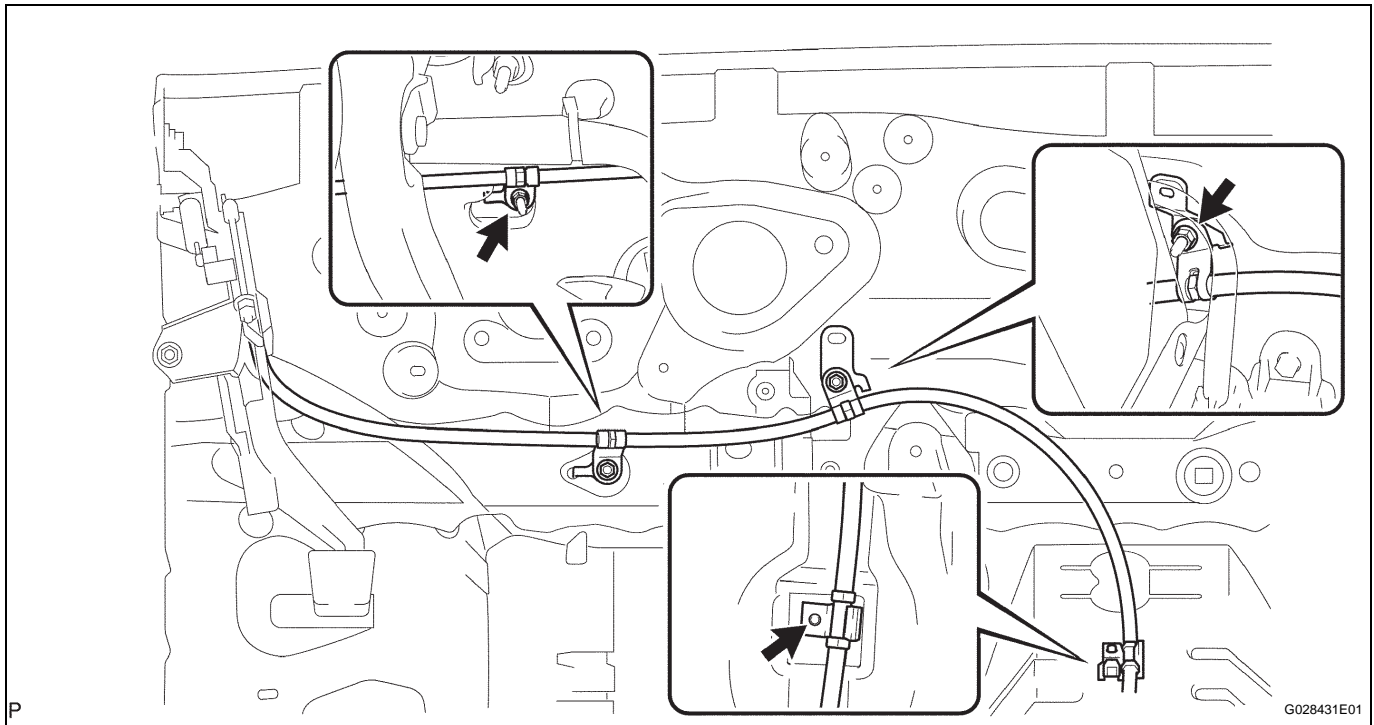
- (a) Install the parking brake control pedal with the 2 bolts and nut.
Torque: 20 N*m (204 kgf*cm, 15 ft.*lbf)
- (b) Connect the parking brake switch connector and install the harness clamp to the pedal bracket.



- (c) Connect the No. 1 parking brake cable to the parking brake intermediate lever.
- (d) Install the No. 1 parking brake cable on the floor with the 2 bolts labeled A shown in the illustration.
Torque: 14 N*m (143 kgf*cm, 10 ft.*lbf)



- (e) Install the No. 1 parking brake cable to the floor with the clamp bolt.
Torque: 14 N*m (143 kgf*cm, 10 ft.*lbf)
- (f) Install the 2 No. 1 parking brake cable clamp nuts and a new parking brake front cable clamp.
Torque: 14 N*m (143 kgf*cm, 10 ft.*lbf)



5. INSTALL NO. 1 CONSOLE BOX MOUNTING BRACKET

- (a) Install the No. 1 front floor side reinforcement with the 2 bolts.
- (b) Install the No. 1 console box mounting bracket with the 2 bolts.

6. INSTALL YAW RATE SENSOR (w/ VSC) (See page [BC-224](#))

7. INSTALL CENTER AIRBAG SENSOR ASSEMBLY (See page [RS-307](#))

8. INSTALL FRONT FLOOR FOOTREST (See page [SR-13](#))

9. INSTALL FRONT SEAT ASSEMBLY LH/RH

- (a) Install the front seat LH/RH (see page [SE-10](#)).

10. INSTALL INSTRUMENT PANEL REINFORCEMENT ASSEMBLY (See page [AC-157](#))

11. INSTALL NO. 1 INSTRUMENT PANEL BRACE SUB-ASSEMBLY (See page [AC-158](#))

12. FULLY TIGHTEN AIR CONDITIONING UNIT (See page [AC-158](#))

13. INSTALL STEERING COLUMN ASSEMBLY (See page [SR-12](#))

14. INSTALL LOWER INSTRUMENT PANEL SUB-ASSEMBLY (See page [IP-20](#))

15. INSTALL SHIFT LEVER ASSEMBLY (See page [HX-126](#))

16. INSTALL POWER STEERING ECU (See page [SR-17](#))

17. **INSTALL INSTRUMENT PANEL SUB-ASSEMBLY**
 - (a) Install the instrument panel (see page [IP-11](#)).

HINT:
Refer to the procedures from the installation of the instrument panel sub-assembly up until the installation of the No. 1 instrument panel register assembly.
18. **INSTALL COOLER REFRIGERANT LIQUID PIPE E (TO COOLER UNIT) (See page [AC-159](#))**
19. **INSTALL SUCTION HOSE SUB-ASSEMBLY (See page [AC-160](#))**
20. **CHECK FOR REFRIGERANT LEAKAGE (See page [AC-142](#))**
21. **POSITION SPIRAL CABLE SUB-ASSEMBLY (See page [RS-279](#))**
22. **INSTALL STEERING COLUMN COVER (See page [SR-14](#))**
23. **INSTALL TILT LEVER BRACKET (See page [SR-14](#))**
24. **INSTALL STEERING WHEEL ASSEMBLY (See page [SR-15](#))**
25. **INSTALL STEERING PAD ASSEMBLY (See page [RS-269](#))**
26. **INSPECT STEERING PAD ASSEMBLY (See page [RS-269](#))**
27. **CONNECT CABLE TO NEGATIVE BATTERY TERMINAL**
28. **INSTALL REAR NO. 3 FLOOR BOARD (See page [CH-8](#))**
29. **INSTALL REAR DECK FLOOR BOX (See page [CH-8](#))**
30. **INSTALL REAR NO. 2 FLOOR BOARD (See page [CH-8](#))**
31. **ADD ENGINE COOLANT**
32. **CHARGE REFRIGERANT (See page [AC-141](#))**
33. **CHECK FOR ENGINE COOLANT LEAKAGE**
34. **WARM UP ENGINE**
35. **INSPECT AND ADJUST PARKING BRAKE PEDAL TRAVEL**
 - (a) Inspect and adjust the parking brake pedal travel (see page [PB-1](#)).
36. **CHECK SRS WARNING LIGHT**
 - (a) Check the SRS warning light (see page [RS-41](#)).
37. **PERFORM CALIBRATION**
 - (a) Perform calibration (see page [PS-13](#)).

38. PERFORM INITIALIZATION

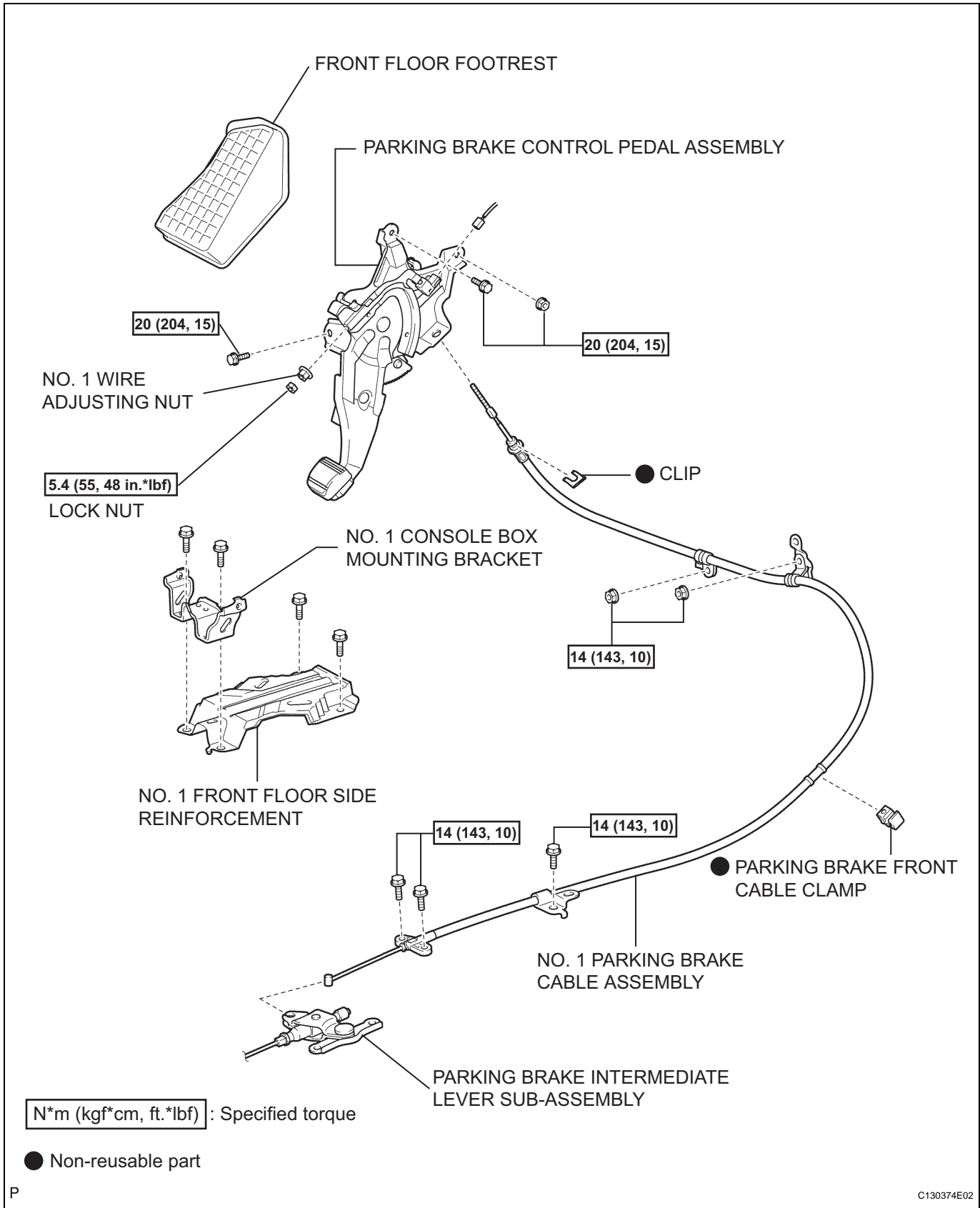
- (a) Perform initialization (see page [IN-32](#)).

NOTICE:

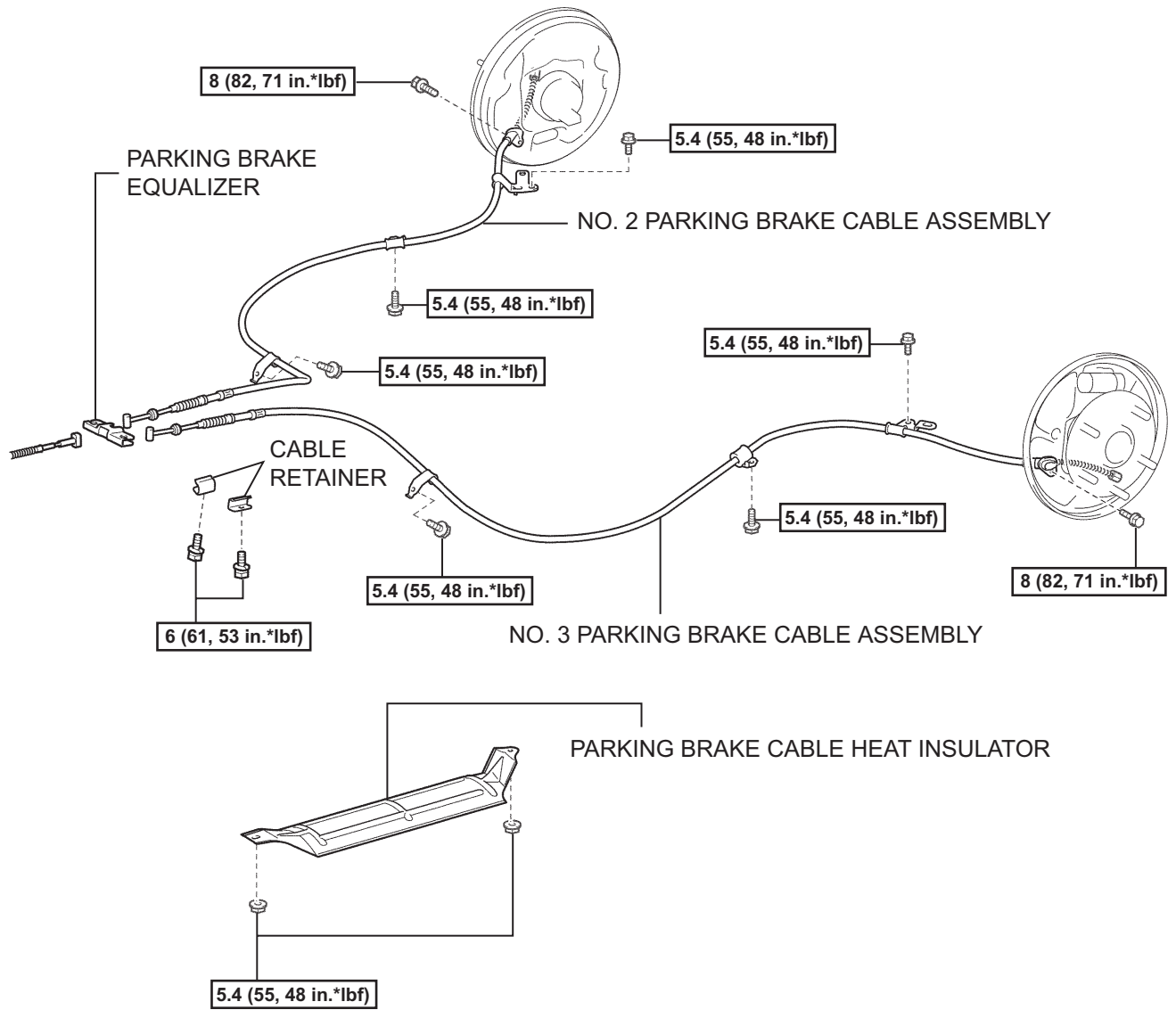
Certain systems need to be initialized after disconnecting and reconnecting the cable from the negative (-) battery terminal.

PARKING BRAKE CABLE

COMPONENTS



PB



N*m (kgf*cm, ft.*lbf) : Specified torque

REMOVAL

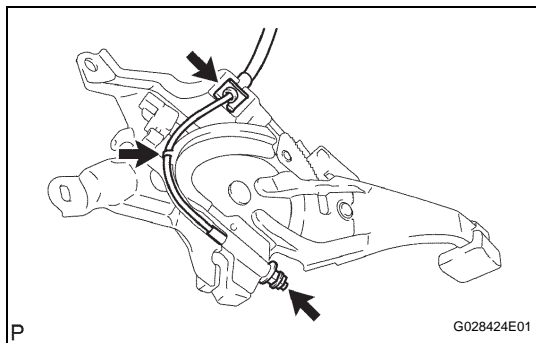
HINT:

- Use the same procedures for the No. 2 and No. 3 parking brake cable assembly.
- The procedures listed below are for the No. 3 parking brake cable assembly.

1. **DISCHARGE REFRIGERANT FROM REFRIGERATION SYSTEM** (See page [AC-140](#))
2. **DISCONNECT SUCTION HOSE SUB-ASSEMBLY** (See page [AC-146](#))
3. **DISCONNECT COOLER REFRIGERANT LIQUID PIPE E (TO COOLER UNIT)** (See page [AC-146](#))
4. **DISCONNECT HEATER WATER HOSE B** (See page [AC-146](#))
5. **DISCONNECT HEATER WATER HOSE A** (See page [AC-146](#))
6. **REMOVE REAR NO. 2 FLOOR BOARD** (See page [HB-153](#))
7. **REMOVE REAR DECK FLOOR BOX** (See page [HB-153](#))
8. **REMOVE REAR NO. 3 FLOOR BOARD** (See page [HB-153](#))
9. **DISCONNECT CABLE FROM NEGATIVE BATTERY TERMINAL**
CAUTION:
Wait at least 90 seconds after disconnecting the cable from the negative (-) battery terminal to prevent airbag and seat belt pretensioner activation.
10. **REMOVE INSTRUMENT PANEL SUB-ASSEMBLY**
 - (a) Remove the instrument panel (see page [IP-5](#)).
HINT:
Refer to the procedures from the removal of the No. 1 instrument panel register assembly up until the removal of the instrument panel sub-assembly.
11. **REMOVE NO. 2 STEERING WHEEL COVER LOWER**
12. **REMOVE NO. 3 STEERING WHEEL COVER LOWER**
13. **REMOVE STEERING PAD ASSEMBLY** (See page [RS-268](#))
14. **REMOVE STEERING WHEEL ASSEMBLY** (See page [SR-8](#))
15. **REMOVE TILT LEVER BRACKET** (See page [SR-8](#))
16. **REMOVE STEERING COLUMN COVER** (See page [SR-8](#))
17. **REMOVE TURN SIGNAL SWITCH ASSEMBLY WITH SPIRAL CABLE SUB-ASSEMBLY** (See page [SR-8](#))

18. REMOVE FRONT DOOR SCUFF PLATE LH (See page [IR-7](#))
19. REMOVE FRONT DOOR SCUFF PLATE RH (See page [IR-7](#))
20. REMOVE COWL SIDE TRIM BOARD LH (See page [IR-7](#))
21. REMOVE COWL SIDE TRIM BOARD RH (See page [IR-7](#))
22. REMOVE CENTER INSTRUMENT CLUSTER FINISH PANEL ASSEMBLY (See page [IP-18](#))
23. REMOVE RADIO RECEIVER ASSEMBLY
24. REMOVE LOWER CENTER INSTRUMENT PANEL FINISH PANEL (See page [IP-18](#))
25. REMOVE GLOVE COMPARTMENT DOOR LOCK COVER (See page [IP-18](#))
26. REMOVE GLOVE COMPARTMENT DOOR LOCK ASSEMBLY (See page [IP-18](#))
27. REMOVE LOWER INSTRUMENT PANEL FINISH PANEL (See page [IP-19](#))
28. REMOVE NO. 1 INSTRUMENT PANEL UNDER COVER SUB-ASSEMBLY (See page [IP-19](#))
29. REMOVE POWER STEERING ECU (See page [SR-17](#))
30. REMOVE SHIFT LEVER ASSEMBLY (See page [HX-124](#))
31. REMOVE REAR NO. 3 AIR DUCT (See page [AC-147](#))
32. REMOVE NO. 3 HEATER TO REGISTER DUCT (See page [AC-147](#))
33. REMOVE NO. 1 HEATER TO REGISTER DUCT (See page [AC-147](#))
34. REMOVE NO. 2 HEATER TO REGISTER DUCT (See page [AC-147](#))
35. REMOVE DEFROSTER NOZZLE ASSEMBLY (See page [AC-148](#))
36. REMOVE ECM (See page [ES-469](#))
37. REMOVE HYBRID VEHICLE CONTROL ECU (See page [HV-543](#))
38. REMOVE NETWORK GATEWAY ECU
39. REMOVE NO. 1 INSTRUMENT PANEL BRACE SUB-ASSEMBLY (See page [AC-148](#))
40. REMOVE AIR CONDITIONING AMPLIFIER ASSEMBLY (See page [AC-179](#))
41. REMOVE STEERING COLUMN ASSEMBLY (See page [SR-11](#))

42. REMOVE INSTRUMENT PANEL REINFORCEMENT ASSEMBLY (See page [AC-148](#))
43. REMOVE FRONT SEAT ASSEMBLY LH/RH
 - (a) Remove the front seat LH/RH (see page [SE-4](#)).
44. REMOVE UPPER CONSOLE PANEL SUB-ASSEMBLY (See page [IP-24](#))
45. REMOVE CONSOLE BOX POCKET
46. REMOVE CONSOLE BOX CARPET
47. REMOVE REAR CONSOLE BOX SUB-ASSEMBLY (See page [IP-24](#))
48. REMOVE FRONT FLOOR FOOTREST (See page [SR-10](#))
49. REMOVE CENTER AIRBAG SENSOR ASSEMBLY (See page [RS-306](#))
50. REMOVE YAW RATE SENSOR (w/ VSC) (See page [BC-224](#))
51. REMOVE NO. 1 CONSOLE BOX MOUNTING BRACKET (See page [PB-7](#))
52. REMOVE PARKING BRAKE CONTROL PEDAL ASSEMBLY (See page [PB-7](#))
53. REMOVE NO. 1 PARKING BRAKE CABLE ASSEMBLY
 - (a) Unbend the parking brake pedal claw.
 - (b) Remove the lock nut and adjusting nut of the No. 1 parking brake cable from the parking brake pedal.
 - (c) Disengage the clip and remove the No. 1 parking brake cable from the parking brake pedal.
54. REMOVE REAR WHEEL
55. REMOVE REAR BRAKE DRUM SUB-ASSEMBLY (See page [BR-47](#))
56. SEPARATE PARKING BRAKE SHOE STRUT SET LH (See page [BR-47](#))
57. REMOVE FRONT BRAKE SHOE (See page [BR-47](#))
58. REMOVE PARKING BRAKE SHOE STRUT SET LH (See page [BR-47](#))
59. REMOVE REAR BRAKE AUTOMATIC ADJUST LEVER LH (See page [BR-48](#))
60. REMOVE REAR BRAKE SHOE (See page [BR-48](#))
61. REMOVE REAR BRAKE PARKING BRAKE SHOE LEVER SUB-ASSEMBLY (See page [BR-48](#))
62. REMOVE HEATED OXYGEN SENSOR (See page [EC-50](#))
63. REMOVE FRONT FLOOR PANEL BRACE (See page [EX-2](#))



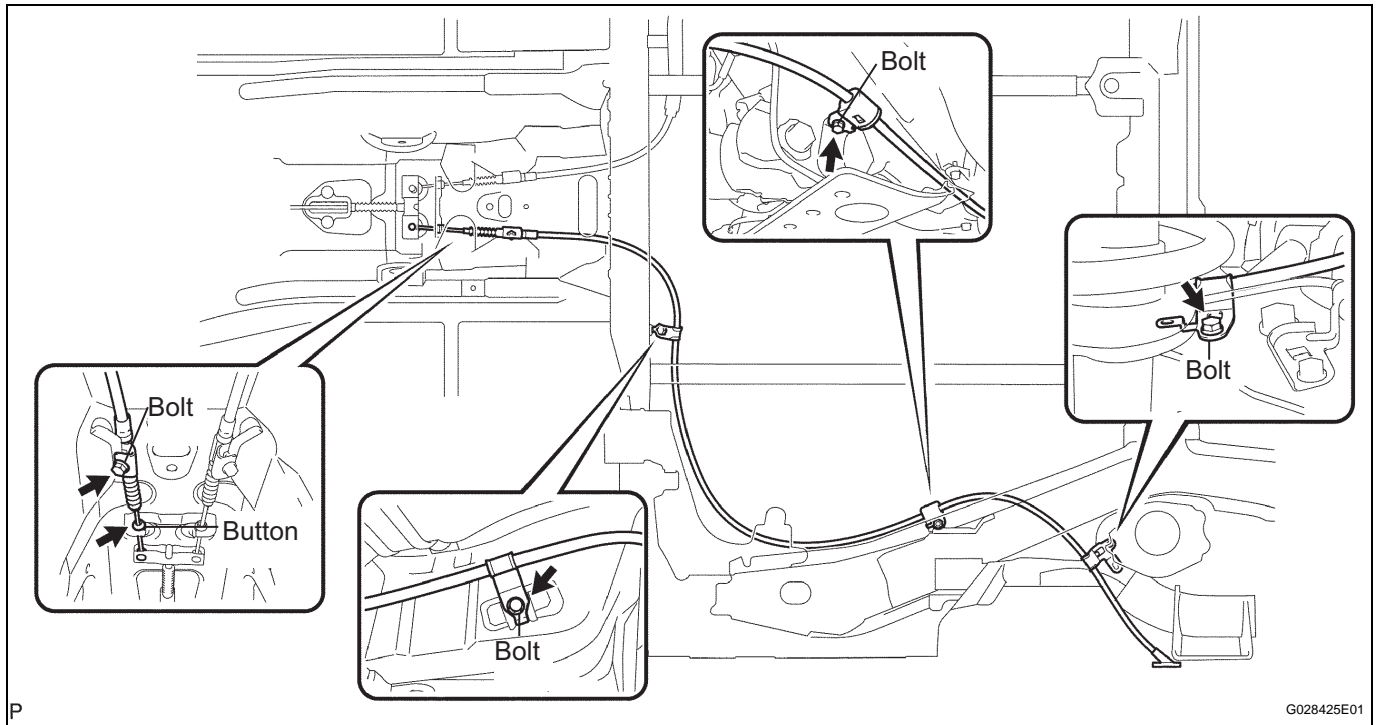
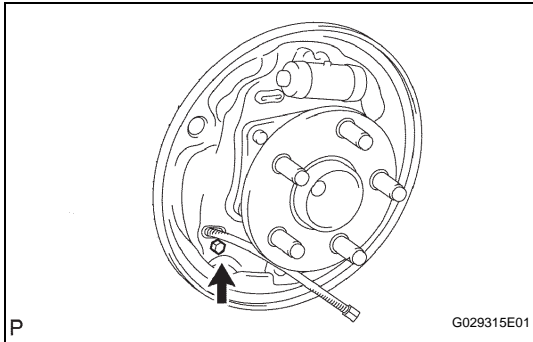
64. REMOVE FRONT EXHAUST PIPE ASSEMBLY (See page EX-2)

65. REMOVE PARKING BRAKE CABLE HEAT INSULATOR

- (a) Remove the 2 nuts and separate the parking brake cable heat insulator.

66. REMOVE NO. 3 PARKING BRAKE CABLE ASSEMBLY

- (a) Remove the bolt and No. 3 parking brake cable from the backing plate.
 (b) Remove the bolts, button and No. 3 parking brake cable.



- (c) Disconnect the No. 3 parking brake cable from the parking brake equalizer.

INSTALLATION

HINT:

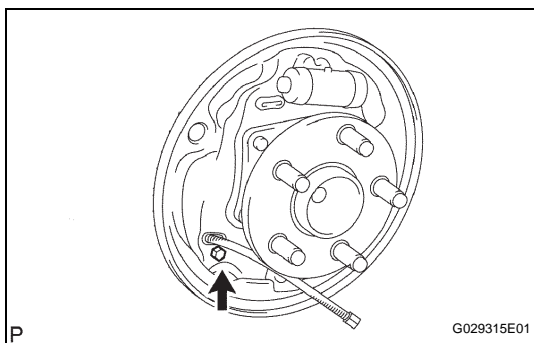
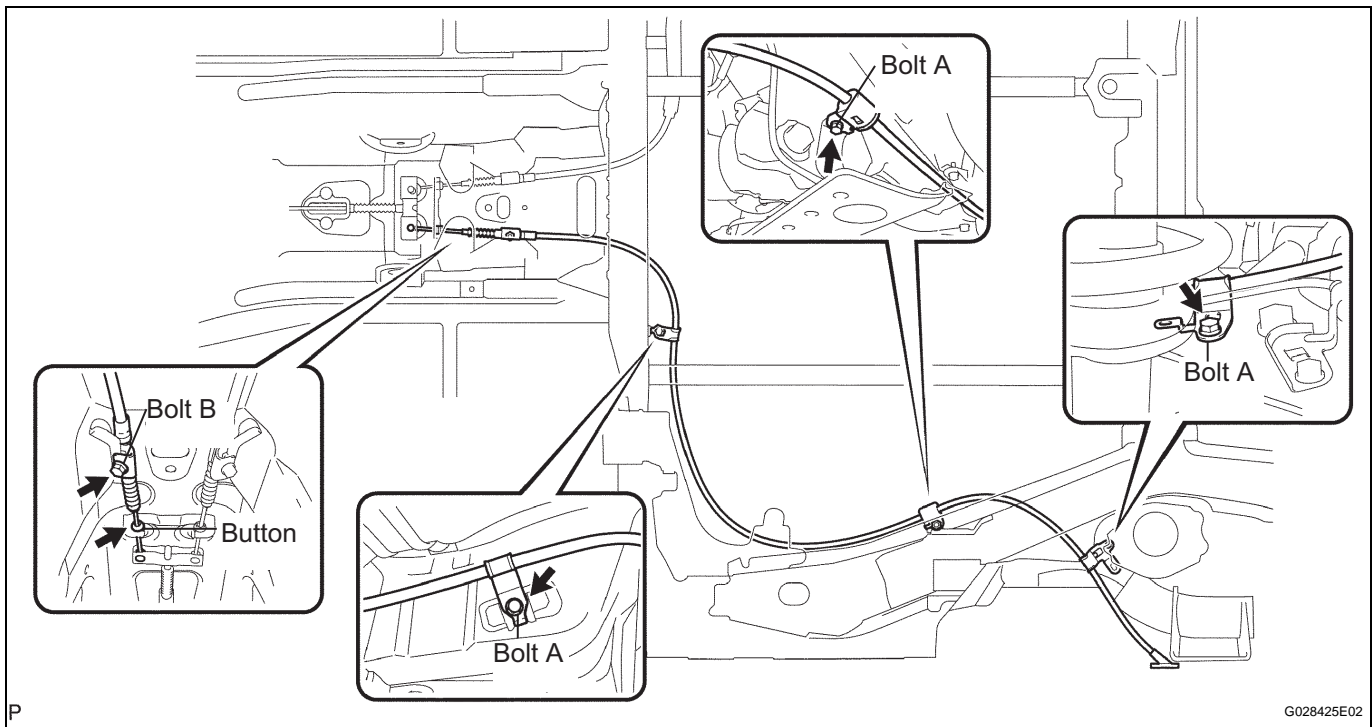
- Use the same procedures for the No. 2 and No. 3 parking brake cable assembly.
- The procedures listed below are for the No. 3 parking brake cable assembly.

1. INSTALL NO. 3 PARKING BRAKE CABLE ASSEMBLY

- Connect the No. 3 parking brake cable to the parking brake equalizer.
- Install the No. 3 parking brake cable with the bolts and button.

Torque: 5.4 N*m (55 kgf*cm, 48 in.*lbf) (Bolt A)

6.0 N*m (61 kgf*cm, 53 in.*lbf) (Bolt B)



- Install the No. 3 parking brake cable to the backing plate with the bolt.

Torque: 8.0 N*m (82 kgf*cm, 71 in.*lbf)

2. INSTALL PARKING BRAKE CABLE HEAT INSULATOR

- Install the parking brake heat insulator with the 2 nuts.

Torque: 5.4 N*m (55 kgf*cm, 48 in.*lbf)

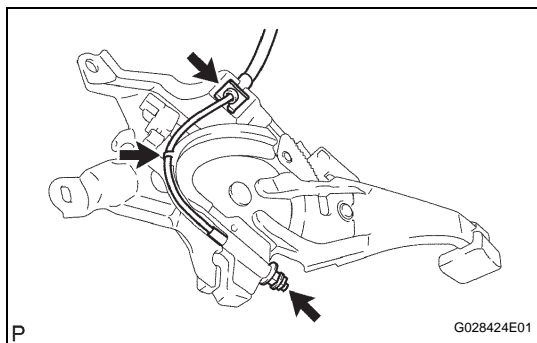
3. INSTALL FRONT EXHAUST PIPE ASSEMBLY (See page EX-3)

4. INSTALL FRONT FLOOR PANEL BRACE (See page EX-4)

5. INSTALL HEATED OXYGEN SENSOR (See page EC-51)

6. APPLY HIGH TEMPERATURE GREASE (See page BR-50)

7. **INSTALL REAR BRAKE PARKING BRAKE SHOE LEVER SUB-ASSEMBLY** (See page [BR-50](#))
8. **INSTALL REAR BRAKE SHOE** (See page [BR-51](#))
9. **INSTALL REAR BRAKE SHOE RETURN SPRING** (See page [BR-51](#))
10. **INSTALL REAR BRAKE AUTOMATIC ADJUST LEVER LH** (See page [BR-51](#))
11. **INSTALL PARKING BRAKE SHOE STRUT SET LH** (See page [BR-51](#))
12. **INSTALL FRONT BRAKE SHOE** (See page [BR-52](#))
13. **CONNECT PARKING BRAKE SHOE STRUT SET LH** (See page [BR-52](#))
14. **CHECK REAR DRUM BRAKE INSTALLATION** (See page [BR-52](#))
15. **INSTALL REAR BRAKE DRUM SUB-ASSEMBLY** (See page [BR-53](#))
16. **ADJUST REAR DRUM BRAKE SHOE CLEARANCE** (See page [BR-53](#))
17. **INSTALL REAR WHEEL**
Torque: 103 N*m (1,050 kgf*cm, 76 ft.*lbf)
18. **INSPECT AND ADJUST PARKING BRAKE PEDAL TRAVEL**
 - (a) Inspect and adjust the parking brake pedal travel (see page [PB-1](#)).
19. **CHECK FOR EXHAUST GAS LEAKAGE** (See page [EX-4](#))
20. **INSTALL NO. 1 PARKING BRAKE CABLE ASSEMBLY**
 - (a) Pass the No. 1 parking brake cable through the pedal bracket and hold it with a new clip.
 - (b) Pass the parking brake cable through the pedal guide. Temporarily tighten the adjusting nut and lock nut.
HINT:
Fully tighten the adjusting nut and lock nut when adjusting the parking brake pedal free play.
 - (c) Bend the parking brake pedal claw fully.
21. **INSTALL PARKING BRAKE CONTROL PEDAL ASSEMBLY** (See page [PB-8](#))
22. **INSTALL NO. 1 CONSOLE BOX MOUNTING BRACKET** (See page [PB-9](#))
23. **INSTALL YAW RATE SENSOR (w/ VSC)** (See page [BC-224](#))
24. **INSTALL CENTER AIRBAG SENSOR ASSEMBLY** (See page [RS-307](#))
25. **INSTALL FRONT FLOOR FOOTREST** (See page [SR-13](#))



26. **INSTALL FRONT SEAT ASSEMBLY LH/RH**
 - (a) Install the front seat LH/RH (see page [SE-10](#)).
27. **INSTALL INSTRUMENT PANEL REINFORCEMENT ASSEMBLY** (See page [AC-157](#))
28. **INSTALL NO. 1 INSTRUMENT PANEL BRACE SUB-ASSEMBLY** (See page [AC-158](#))
29. **FULLY TIGHTEN AIR CONDITIONING UNIT ASSEMBLY** (See page [AC-158](#))
30. **INSTALL STEERING COLUMN ASSEMBLY** (See page [SR-12](#))
31. **INSTALL LOWER INSTRUMENT PANEL SUB-ASSEMBLY** (See page [IP-20](#))
32. **INSTALL SHIFT LEVER ASSEMBLY** (See page [HX-126](#))
33. **INSTALL POWER STEERING ECU** (See page [SR-17](#))
34. **INSTALL INSTRUMENT PANEL SUB-ASSEMBLY**
 - (a) Install the instrument panel (see page [IP-11](#)).
HINT:
Refer to the procedures from the installation of the instrument panel sub-assembly up until the installation of the No. 1 instrument panel register assembly.
35. **INSTALL COOLER REFRIGERANT LIQUID PIPE E (TO COOLER UNIT)** (See page [AC-159](#))
36. **INSTALL SUCTION HOSE SUB-ASSEMBLY** (See page [AC-160](#))
37. **CHECK FOR REFRIGERANT LEAKAGE** (See page [AC-142](#))
38. **POSITION SPIRAL CABLE SUB-ASSEMBLY** (See page [RS-279](#))
39. **INSTALL STEERING COLUMN COVER** (See page [SR-14](#))
40. **INSTALL TILT LEVER BRACKET** (See page [SR-14](#))
41. **INSTALL STEERING WHEEL ASSEMBLY** (See page [SR-15](#))
42. **INSTALL STEERING PAD ASSEMBLY** (See page [RS-269](#))
43. **INSPECT STEERING PAD ASSEMBLY** (See page [RS-269](#))
44. **CONNECT CABLE TO NEGATIVE BATTERY TERMINAL**
45. **INSTALL REAR NO. 3 FLOOR BOARD** (See page [CH-8](#))
46. **INSTALL REAR DECK FLOOR BOX** (See page [CH-8](#))

47. **INSTALL REAR NO. 2 FLOOR BOARD** (See page [CH-8](#))
48. **ADD ENGINE COOLANT**
49. **CHARGE REFRIGERANT** (See page [AC-141](#))
50. **CHECK FOR ENGINE COOLANT LEAKAGE**
51. **WARM UP ENGINE**
52. **INSPECT AND ADJUST PARKING BRAKE PEDAL TRAVEL**
 - (a) Inspect and adjust the parking brake pedal travel (see page [PB-1](#)).
53. **CHECK SRS WARNING LIGHT**
 - (a) Check the SRS warning light (see page [RS-41](#)).
54. **PERFORM TORQUE SENSOR ZERO POINT CALIBRATION**
 - (a) Perform the torque sensor zero point calibration (see page [PS-13](#)).
55. **PERFORM INITIALIZATION**
 - (a) Perform initialization (see page [IN-32](#)).
NOTICE:
Certain systems need to be initialized after disconnecting and reconnecting the cable from the negative (-) battery terminal.