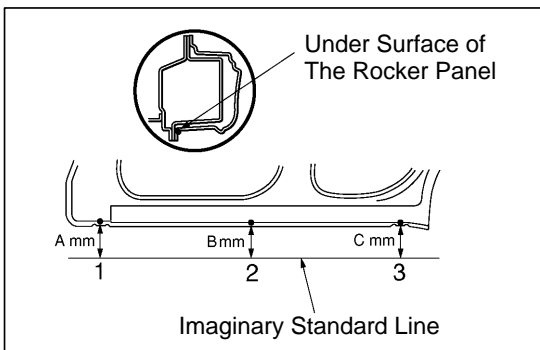
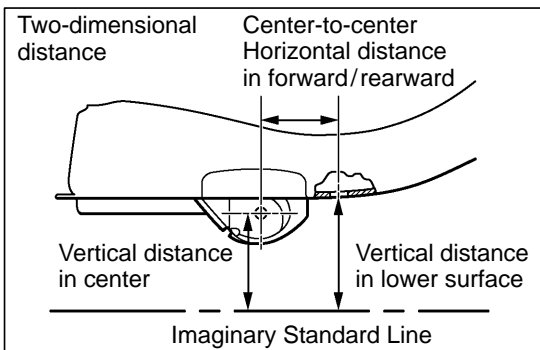
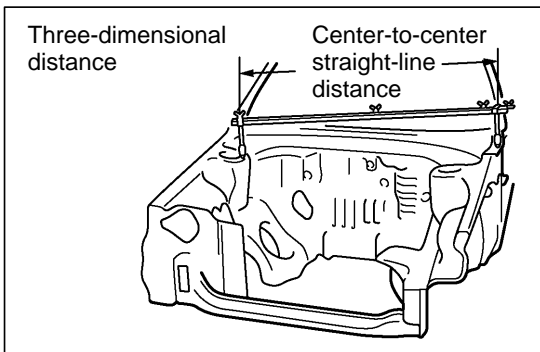


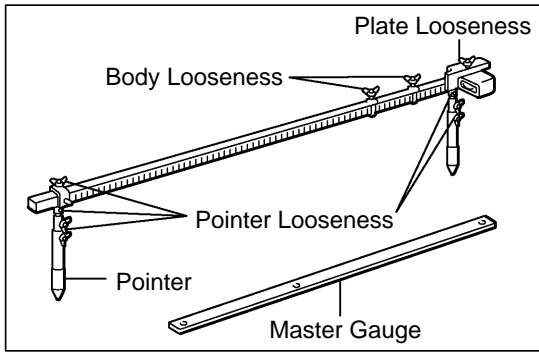
GENERAL INFORMATION

1. BASIC DIMENSIONS

- (a) There are two types of dimensions in the diagram.
 - (1) (Three-dimensional distance)
 - Straight-line distance between the centers of two measuring points.
 - (2) (Two-dimensional distance)
 - Horizontal distance in forward/rearward between the centers of two measuring points.
 - The height from an imaginary standard line.
- (b) In cases in which only one dimension is given, left and right are symmetrical.
- (c) The dimensions in the following drawing indicate actual distance. Therefore, please use the dimensions as a reference.
- (d) The line that connects the places listed below is the imaginary standard line when measuring the height. (The dimensions are printed in the text.)

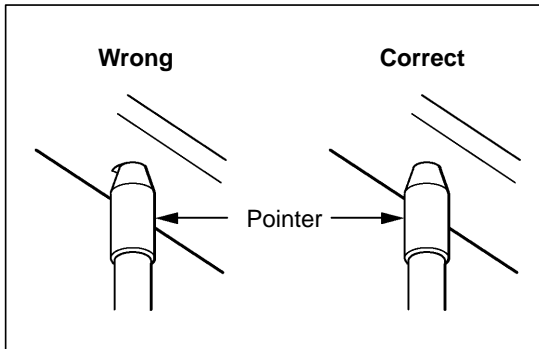


SYMBOL	Name
1	The place that was lowered A mm from the under surface of the rocker panel centered on the front jack up point.
2	The place that was lowered B mm from the under surface of the rocker panel centered between 1 and 3.
3	The place that was lowered C mm from the under surface of the rocker panel centered on the rear jack up point.



2. MEASURING

- (a) Basically, all measurements are to be done with a tracking gauge. For portions where it is not possible to use a tracking gauge, a tape measure should be used.
- (b) Use only a tracking gauge that has no looseness in the body, measuring plate, or pointers.



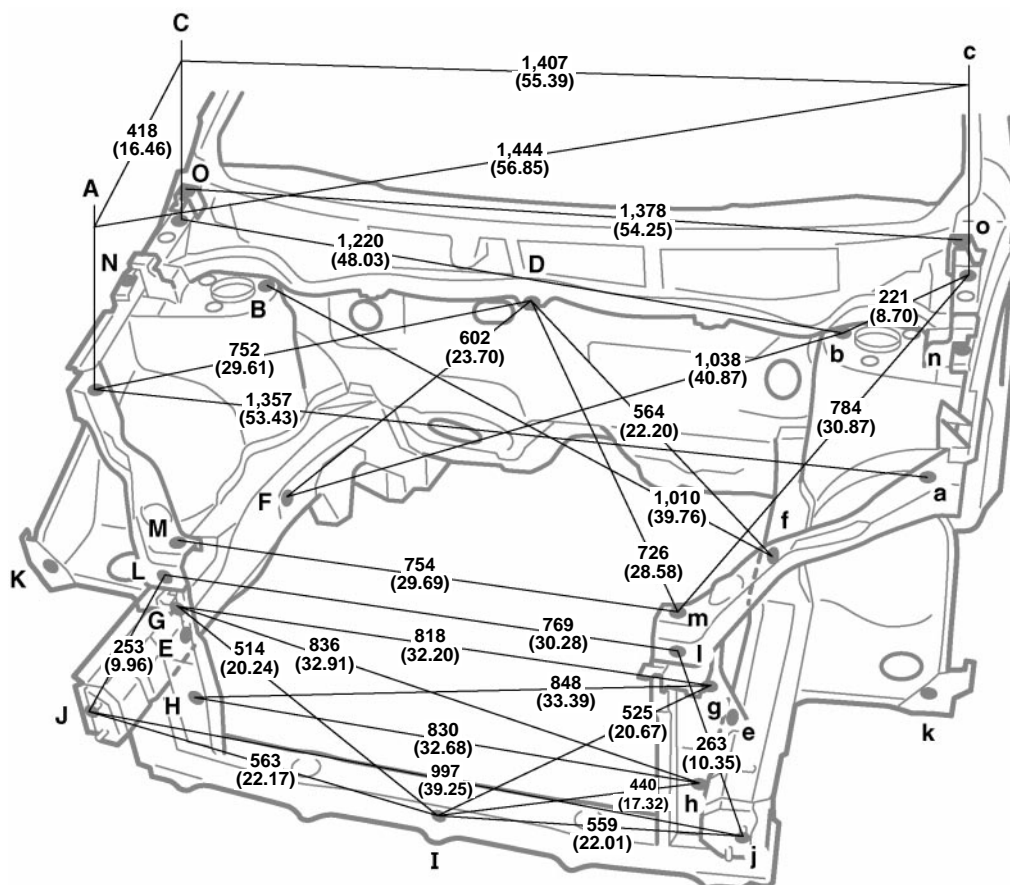
HINT:

- 1) *The height of the left and right pointers must be equal.*
 - 2) *Always calibrate the tracking gauge before measuring or after adjusting the pointer height.*
 - 3) *Take care not to drop the tracking gauge or otherwise shock it.*
 - 4) *Confirm that the pointers are securely in the holes.*
- (c) When using a tape measure, avoid twists and bends in the tape.

BODY DIMENSION DRAWINGS

ENGINE COMPARTMENT

(Three-Dimensional Distance)



Height from Imaginary Standard Line

A, a	C, c	M, m
692 (27.24)	825 (32.48)	623 (24.53)

Vehicle Dimensions

B-b	B-D or b-D	C-m or c-M	D-E	D-e	K-k	N-n	N-O or n-o	N-o or n-O
1,023 (40.28)	513 (20.20)	1,294 (50.94)	826 (32.52)	810 (31.89)	1,437 (56.57)	1,409 (55.47)	232 (9.13)	1,413 (55.63)

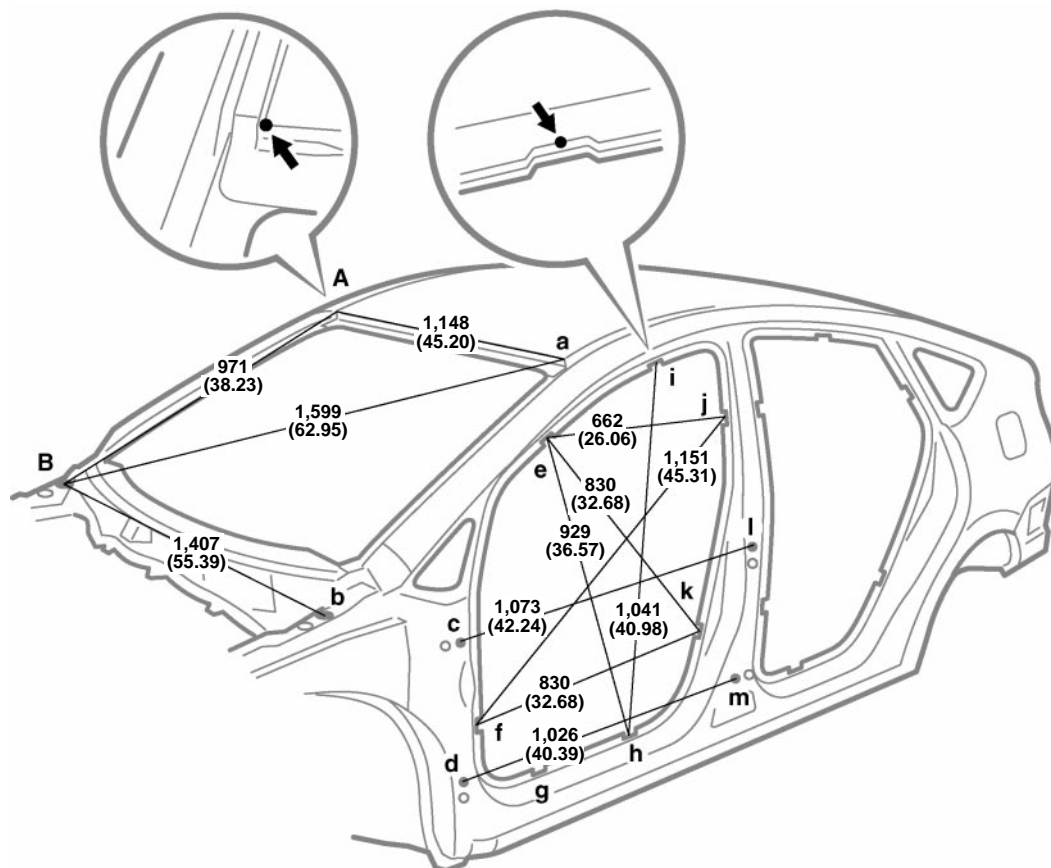
HINT: For symbols, capital letters indicate right side of vehicle, small letters indicate left side of vehicle (Seen from rear).

mm (in.)

Symbol	Name	Hole dia.	Symbol	Name	Hole dia.
A, a	Radiator upper support standard hole	10 (0.39)	H, h	Radiator support standard hole	15 (0.59)
B, b	Front spring support hole-inner	11 (0.43)	I	Hood lock support installation nut	6 (0.24) nut
C, c	Hood hinge installation nut	8 (0.31) nut	J, j	Front bumper reinforcement installation bolt	8 (0.31) bolt
D	Cowl top outer panel installation nut	6 (0.24) nut	K, k	Front fender extension standard hole	7 (0.28)
E, e	Front side member standard hole	18 (0.71)	L, l	Radiator upper center support installation nut	6 (0.24) nut
F	Front side member standard hole	12 (0.47)	M, m	Radiator upper center support installation nut	6 (0.24) nut
f	Engine mounting installation nut	10 (0.39) nut	N, n	Front fender installation nut	6 (0.24) nut
G, g	Radiator support standard hole	10 (0.39)	O, o	Front fender installation nut	6 (0.24) nut

BODY OPENING AREAS (Side View: Front)

(Three-Dimensional Distance)



Vehicle Dimensions Left ↔ Right

E-e	F-f	G-g	H-h	I-i	J-j	K-k
1,282 (50.47)	1,430 (56.30)	1,434 (56.46)	1,435 (56.50)	1,171 (46.10)	1,331 (52.40)	1,431 (56.34)

E-f or e-F	E-h or e-H	E-j or e-J	F-j or f-J	F-k or f-K	H-i or h-I	J-k or j-K
1,544 (60.79)	1,644 (64.72)	1,464 (57.64)	1,797 (70.75)	1,654 (65.12)	1,663 (65.47)	1,509 (59.41)

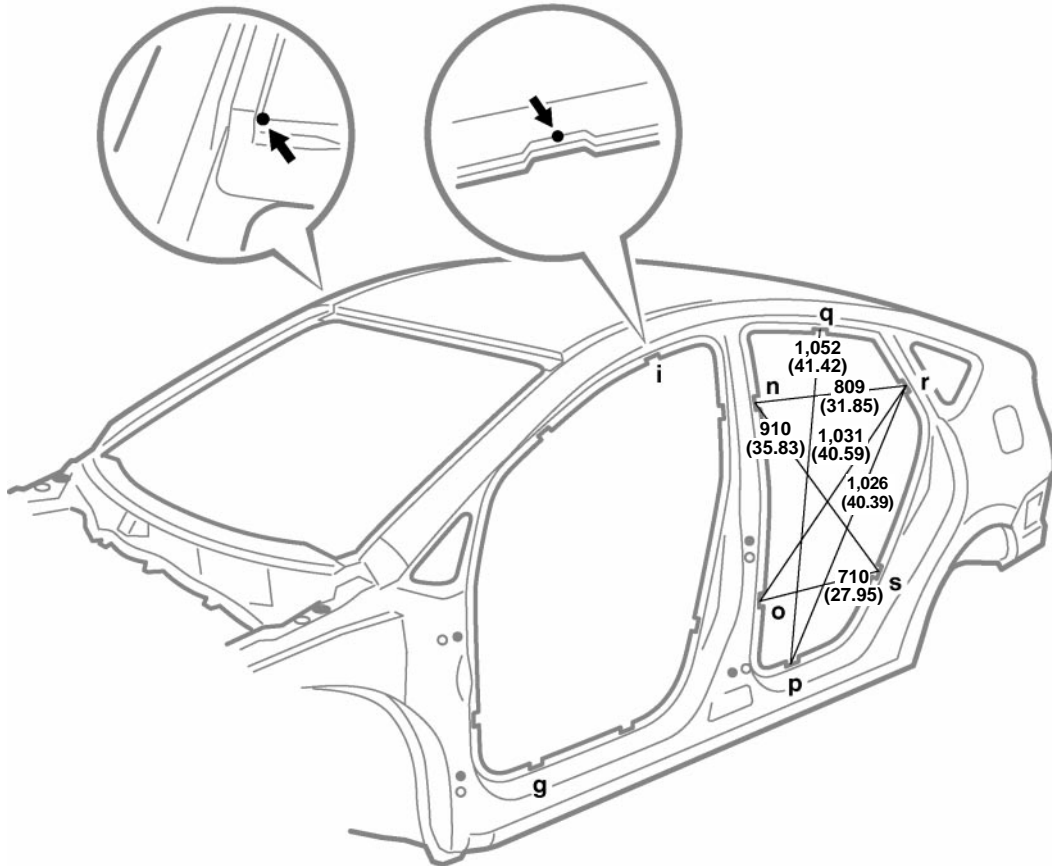
HINT: For symbols, capital letters indicate right side of vehicle, small letters indicate left side of vehicle (Seen from rear).

mm (in.)

Symbol	Name	Hole dia.	Symbol	Name	Hole dia.
A, a	Roof panel corner	—	H, h	Rocker panel assembly mark	—
B, b	Hood hinge installation nut-rear	8 (0.31) nut	I, i	Roof side rail assembly mark	—
C, c	Front door hinge installation nut	8 (0.31) nut	J, j	Center body pillar assembly mark	—
D, d	Front door hinge installation nut	8 (0.31) nut	K, k	Center body pillar assembly mark	—
E, e	Front body pillar assembly mark	—	L, l	Rear door hinge installation nut	8 (0.31) nut
F, f	Front body pillar assembly mark	—	M, m	Rear door hinge installation nut	8 (0.31) nut
G, g	Rocker panel assembly mark	—	—	—	—

BODY OPENING AREAS (Side View: Rear)

(Three-Dimensional Distance)



Vehicle Dimensions Left ↔ Right

N-n	O-o	P-p	Q-q	R-r	S-s
1,337 (52.64)	1,426 (56.14)	1,434 (56.46)	1,147 (45.16)	1,295 (50.98)	1,427 (56.18)

G-p or g-P	I-q or i-Q	N-r or n-R	N-s or n-S	O-s or o-S	P-q or p-Q	R-s or r-S
1,756 (69.13)	1,390 (54.72)	1,544 (60.79)	1,654 (65.12)	1,593 (62.72)	1,659 (65.31)	1,492 (58.74)

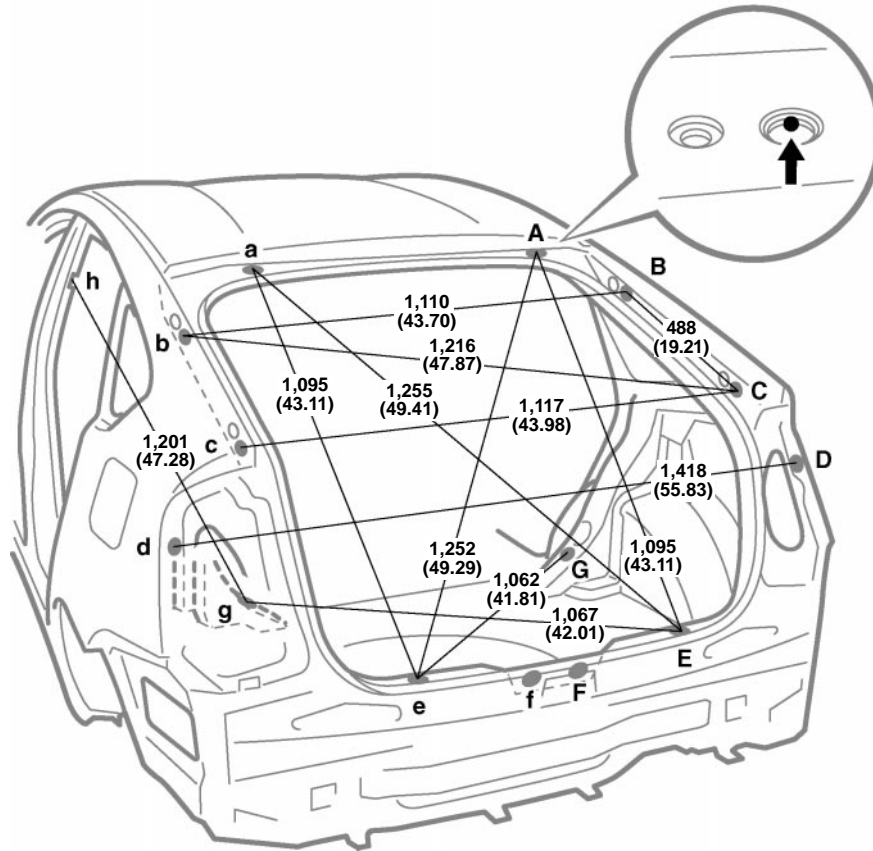
HINT: For symbols, capital letters indicate right side of vehicle, small letters indicate left side of vehicle (Seen from rear).

mm (in.)

Symbol	Name	Hole dia.	Symbol	Name	Hole dia.
G, g	Rocker panel assembly mark	—	P, p	Rocker panel assembly mark	—
I, i	Roof side rail assembly mark	—	Q, q	Roof side rail assembly mark	—
N, n	Center body pillar assembly mark	—	R, r	Quarter panel assembly mark	—
O, o	Center body pillar assembly mark	—	S, s	Quarter panel assembly mark	—

BODY OPENING AREAS (Rear View)

(Three-Dimensional Distance)



Vehicle Dimensions

E-G	e-g	F-G	F-g
775 (30.51)	776 (30.55)	873 (34.37)	929 (36.57)

f-G	f-g	G-g	G-h or g-H
926 (36.46)	882 (34.72)	898 (35.35)	1,626 (64.02)

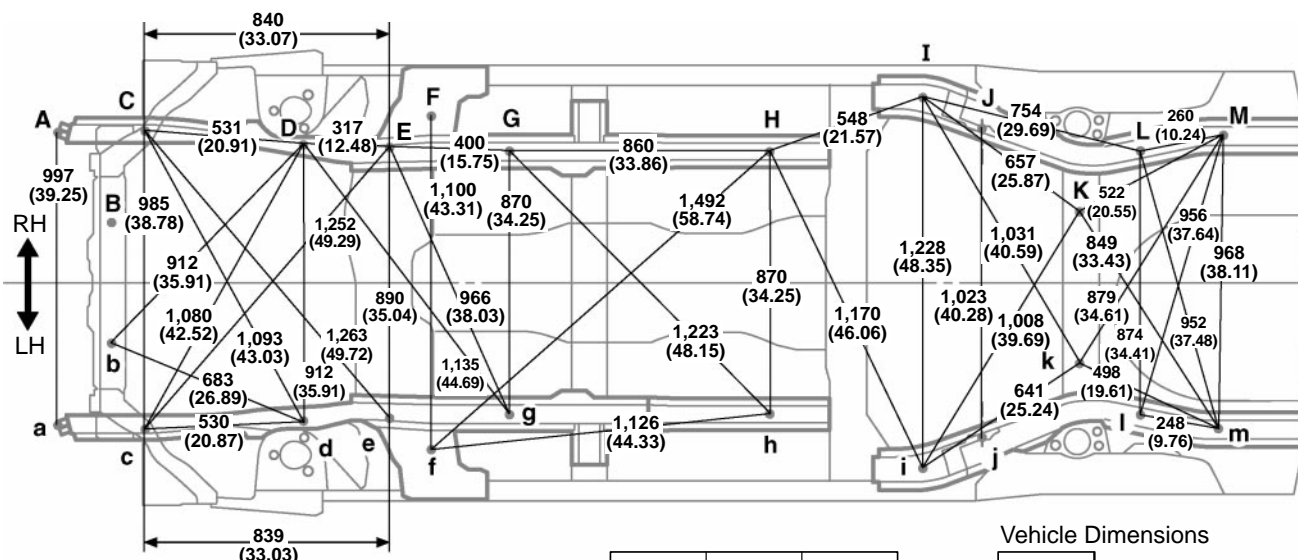
HINT: For symbols, capital letters indicate right side of vehicle, small letters indicate left side of vehicle (Seen from rear).

mm (in.)

Symbol	Name	Hole dia.	Symbol	Name	Hole dia.
A, a	Back door hinge installation hole-outer	15 (0.59)	F, f	Body lower back panel reinforcement working hole	8 (0.31)
B, b	Back door damper stay installation nut	6 (0.24) nut	G, g	Back door lock striker installation nut	6 (0.24) nut
C, c	Back door cushion installation nut	6 (0.24) nut	H, h	Rear absorber mounting bracket standard hole	13 (0.51)
D, d	Quarter panel standard hole	13 (0.51)	I, i	Center body pillar assembly mark	—
E, e	Deck trim side board installation hole	8.5 (0.335)	—	—	—

UNDER BODY

(Three-Dimensional Distance)

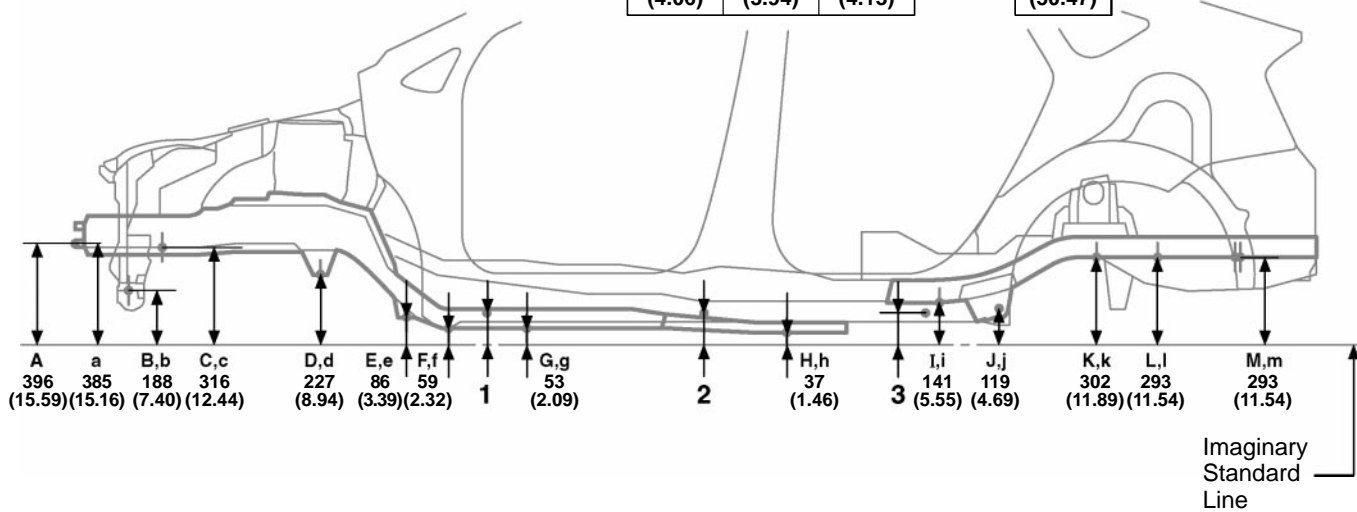


Front ←

1	2	3
103 (4.06)	100 (3.94)	105 (4.13)

Vehicle Dimensions

I-I or i-L
1,282 (50.47)

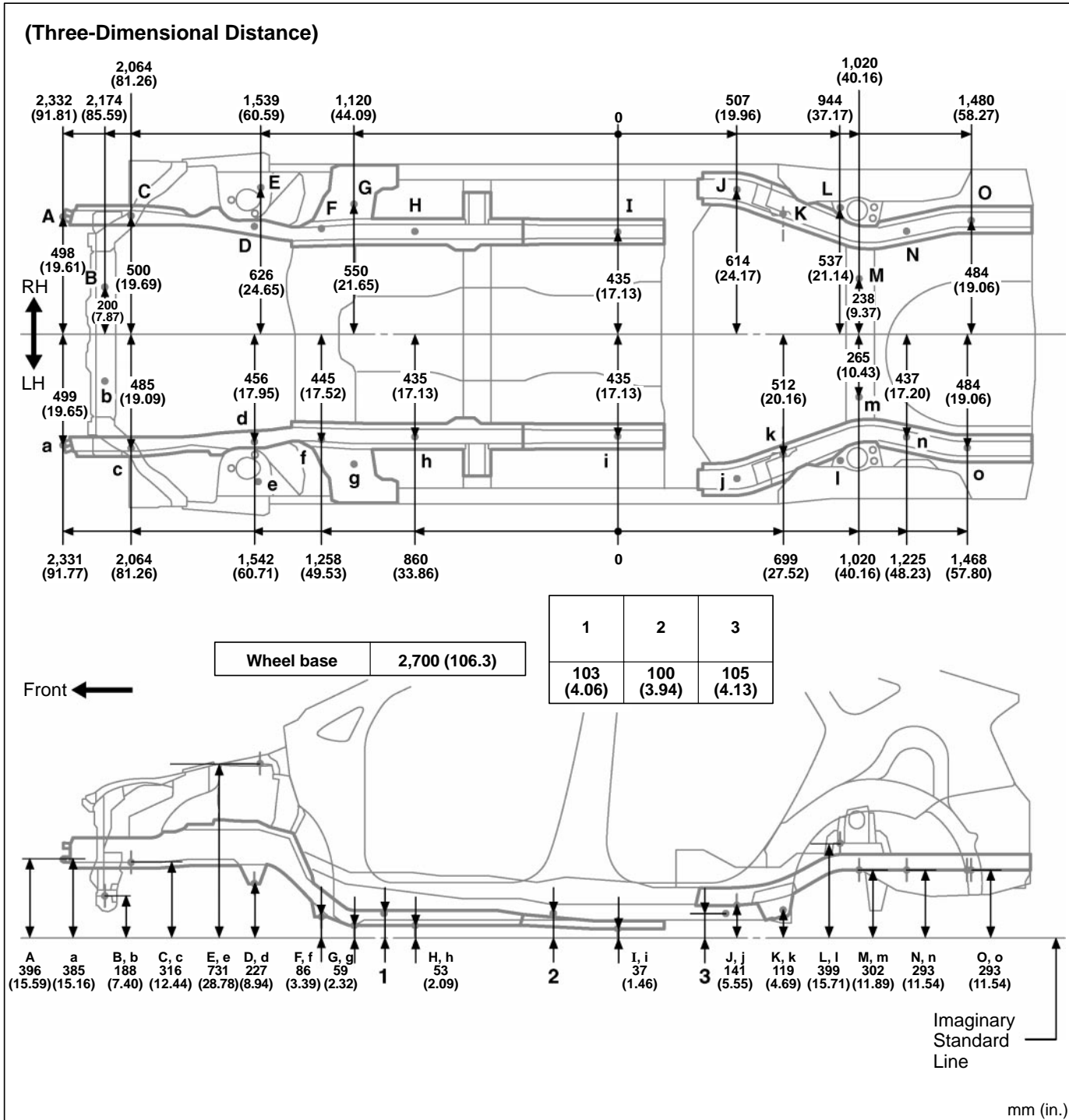


Imaginary Standard Line

mm (in.)

Symbol	Name	Hole dia.	Symbol	Name	Hole dia.
A, a	Front bumper reinforcement installation bolt	8 (0.31) bolt	H, h	Center member floor No.5 reinforcement standard hole	10 (0.39)
B, b	Radiator lower support standard hole	10 (0.39)	I, i	Rear floor side member standard hole	25 (0.98)
C, c	Front side member standard hole	18 (0.71)	J, j	Trailing arm installation hole inner	13 (0.51)
D, d	Front suspension crossmember installation nut	14 (0.55) nut	K, k	Rear floor No.2 crossmember standard hole	10 (0.39)
E, e	Front suspension crossmember installation nut	14 (0.55) nut	L, l	Rear floor side member standard hole	16 (0.63)
F, f	Torque box front standard hole	25 (0.98)	M, m	Rear floor side member standard hole	18 (0.71)
G, g	Front side member standard hole	18 (0.71)	—	—	—

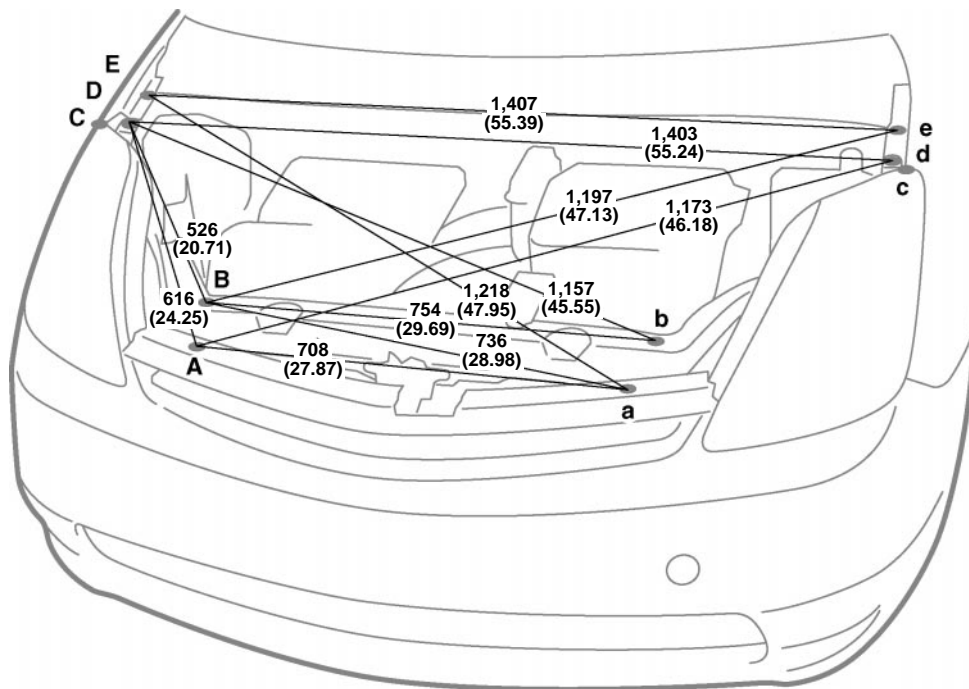
UNDER BODY



Symbol	Name	Hole dia.	Symbol	Name	Hole dia.
A, a	Front bumper reinforcement installation bolt	8 (0.31) bolt	I, i	Center member floor No.5 reinforcement standard hole	10 (0.39)
B, b	Radiator lower support standard hole	10 (0.39)	J, j	Rear floor side member standard hole	25 (0.98)
C, c	Front side member standard hole	18 (0.71)	K, k	Trailing arm installation hole inner	13 (0.51)
D, d	Front suspension crossmember installation nut	14 (0.55)nut	L, l	Rear spring bracket installation hole-front	12 (0.47)
E, e	Front spring support hole-outer	11 (0.43)	M, m	Rear floor No.2 crossmember standard hole	10 (0.39)
F, f	Front suspension crossmember installation nut	14 (0.55)nut	N, n	Rear floor side member standard hole	16 (0.63)
G, g	Torque box front standard hole	25 (0.98)	O, o	Rear floor side member standard hole	18 (0.71)
H, h	Front side member standard hole	18 (0.71)	—	—	—

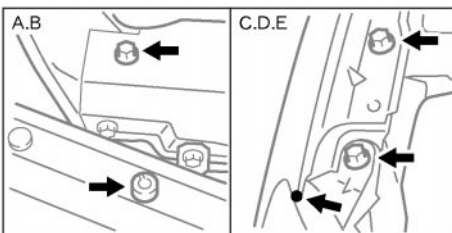
REFERENCE VALUE ENGINE COMPARTMENT

(Three-Dimensional Distance)



Vehicle Dimensions

A-B or a-b	A-E or a-e	C-c
96 (3.78)	698 (27.48)	1,449 (57.05)



HINT: These values are actual measurements made on this model.
Use these reference values.

mm (in.)

Symbol	Name	Hole dia.	Symbol	Name	Hole dia.
A, a	Front bumper installation screw	—	D, d	Headlight installation screw	—
B, b	Radiator upper support installation bolt	—	E, e	Front fender installation bolt	—
C, c	Front end of front fender	—	—	—	—

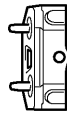
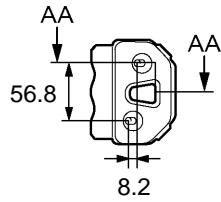
UNDER BODY

(Two-Dimensional Distance)

Front bumper reinforcement

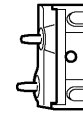
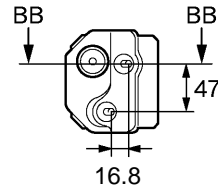
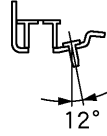
(RH)

AA - AA

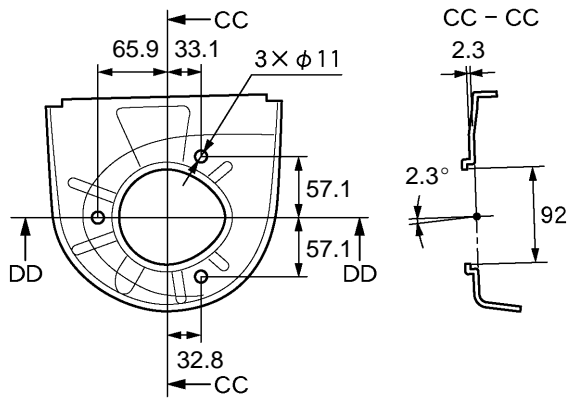


(LH)

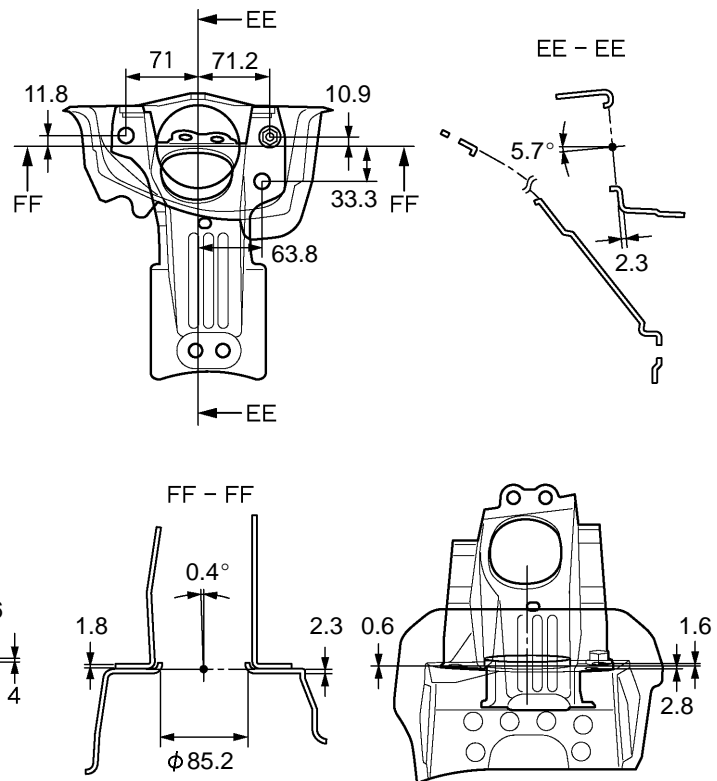
BB - BB



Front spring support



Rear spring support



mm