

# 2024 Prius Pre-Delivery Service (PDS)

**Service Category** General

**Section** Pre-Delivery Service

**Market** USA

Toyota Supports  
 ASE Certification 

## Applicability

| YEAR(S) | MODEL(S) | ADDITIONAL INFORMATION |
|---------|----------|------------------------|
| 2024    | Prius    |                        |

## Introduction

Pre-Delivery Service (PDS) is a critical step in satisfying our new car customers. Customer feedback indicates the following areas deserve special attention when performing PDS:

- Careful inspection for paint chips/scratches and body dents/dings.
- Proper operation of electrical accessories (including interior light, clock, and radio reset).
- Interior cleanliness.
- Proper function of mechanical systems.

Customer retention and proper maintenance of vehicles are and have always been a major focus for Toyota. To help remind customers that regular service is essential to the proper maintenance of the vehicle, dealers are required to install a service reminder sticker before delivery. By doing this, customers will be reminded to return to your dealership for service. Your current service reminder sticker may be used. (See PDS Check Sheet item 8 of “Final Inspection and Cleaning.”)

This bulletin contains the PDS procedures that apply specifically to 2024 model year Prius vehicles. A universal PDS [Check Sheet](#) that contains PDS steps that apply to all 2024 model year Toyota vehicles has been developed. To properly perform a complete PDS, you must complete all procedures contained in this TSB as well as the universal PDS [Check Sheet](#).

In addition, if the vehicle is stored for over 30 days, be sure to follow [Long-Term Vehicle Storage Guidelines](#).

## 2024 Prius Pre-Delivery Service (PDS)

---

### Table of Contents

- [Warranty Information](#) .....3
- [Required Tools and Equipment](#) .....3
- [D/C Cut Fuse Installation](#) .....4
- [Front License Plate and Mounting Bracket Installation\\*](#) .....5
- [Front and Rear Emergency Towing Eyelet Removal and Hole Cover Installation](#) .....8
- [Power Back Door Initialization](#) .....11
- [Tire Pressure Warning System \(TPWS\) Initialization](#) .....11
- [Seating Position Control ECU Initialization\\*](#) .....11
- [Head Unit System Reset](#) .....11
- [Customize ACC Function](#) .....12
- [Navigation — Set Date & Time by GPS](#) .....12
- [Dealer Contact Information for Call Dealer Head Unit Function \(Premium Audio Only\)\\*](#) .....12

\*If applicable.

## 2024 Prius Pre-Delivery Service (PDS)

---

### Warranty Information

| OP CODE | DESCRIPTION                | TIME | OFF | T1 | T2 |
|---------|----------------------------|------|-----|----|----|
| 001013  | Pre-Delivery Service (PDS) | 1.6  | –   | –  | –  |

### Required Tools & Equipment

| REQUIRED EQUIPMENT            | SUPPLIER | PART NUMBER  | QTY |
|-------------------------------|----------|--------------|-----|
| Techstream ADVi*              | ADE      | TSADVUNIT    | 1   |
| Techstream 2.0                |          | TS2UNIT      |     |
| Techstream Lite               |          | TSLITEPDLR01 |     |
| Techstream Lite (Green Cable) |          | TSLP2DLR01   |     |

\*Essential SST.

#### NOTE

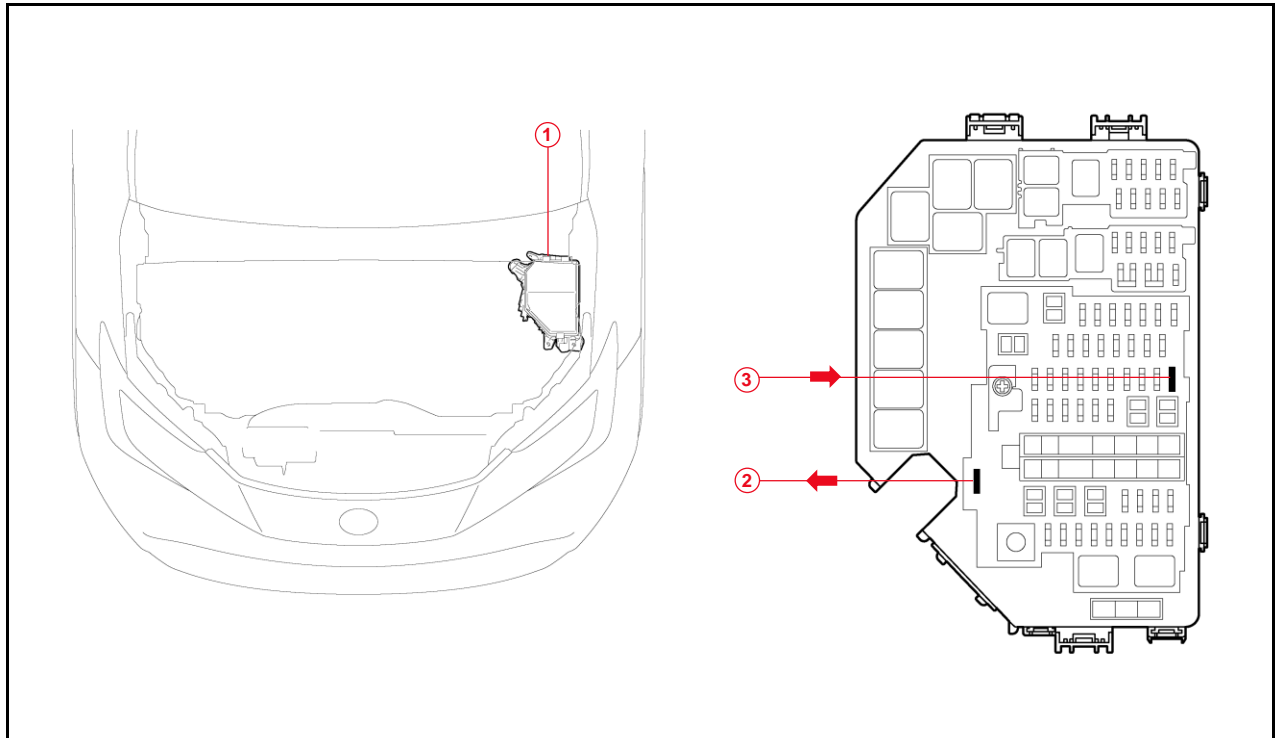
- Only ONE of the Techstream units listed above is required.
- GTS+ software version 2023.03.001.02 or later is required.
- Additional Techstream units may be ordered by calling Approved Dealer Equipment (ADE) at 1-800-368-6787.

## 2024 Prius Pre-Delivery Service (PDS)

### D/C Cut Fuse Installation

To minimize battery discharge, the D/C cut fuse (30A) has been removed and is stored in the engine compartment relay block. Install the D/C cut fuse (30A) and confirm ALL related Diagnostic Trouble Codes (DTCs) are cleared.

**Figure 1.**



|          |                                   |
|----------|-----------------------------------|
| <b>1</b> | <b>Relay Block</b>                |
| <b>2</b> | <b>Remove D/C Cut Fuse (30A)</b>  |
| <b>3</b> | <b>Install D/C Cut Fuse (30A)</b> |

**NOTE**

- With the D/C cut fuse (30A) removed, if ANY DTCs are detected when the ignition is turned ON during transportation, use Global Techstream Software (GTS) to clear ALL DTCs AFTER ensuring that there are no malfunctions.
- While the vehicle is stored at the dealership, disconnect the negative (-) battery terminal to prevent battery discharge. Refer to [T-SB-0024-23](#) Battery Maintenance During PDS for battery maintenance information.

## 2024 Prius Pre-Delivery Service (PDS)

### Front License Plate and Mounting Bracket Installation

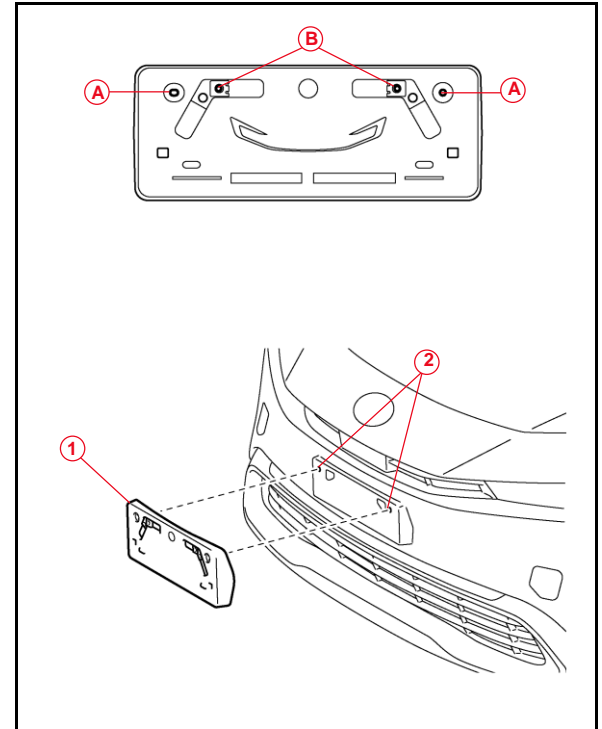
The front license plate bracket and two self-tapping screws are loaded in the vehicle at the assembly plant. Follow this procedure to install the front license plate bracket and front license plate in states where it is required by law.

1. Align holes “A” of the mounting bracket with the dimples on the front bumper cover and mark the location of holes “B” on the radiator lower grille.

**NOTE**

- Holes “A” are used for installation of the mounting bracket to the radiator lower grille.
- Holes “B” are used for the installation of the front license plate to the mounting bracket.

**Figure 2.**



|          |                         |
|----------|-------------------------|
| <b>1</b> | <b>Mounting Bracket</b> |
| <b>2</b> | <b>Dimples</b>          |

## 2024 Prius Pre-Delivery Service (PDS)

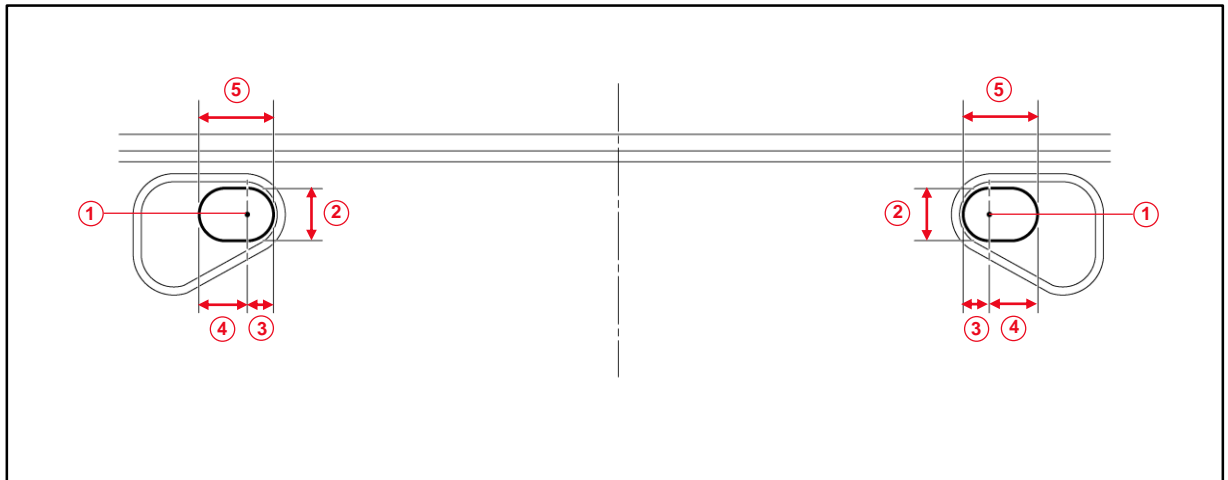
### Front License Plate and Mounting Bracket Installation (continued)

2. Create two oval relief holes at the marks on the front bumper cover shown in Figure 3 to prevent the front license plate mounting bracket from contacting the front bumper.

**NOTICE**

**Do NOT drill at the dimples on the front bumper cover.**

Figure 3.



|   |                  |
|---|------------------|
| 1 | Mark             |
| 2 | 12 mm (0.47 in.) |
| 3 | 6 mm (0.24 in.)  |

|   |                  |
|---|------------------|
| 4 | 11 mm (0.43 in.) |
| 5 | 17 mm (0.67 in.) |

## 2024 Prius Pre-Delivery Service (PDS)

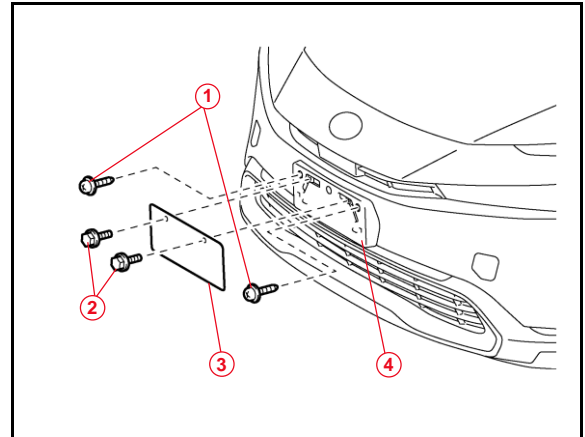
### Front License Plate and Mounting Bracket Installation (continued)

3. Install the mounting bracket to the front bumper cover by attaching the two self-tapping screws into the dimples.

**NOTICE**

**Do NOT overtighten the self-tapping screws.**

**Figure 4.**



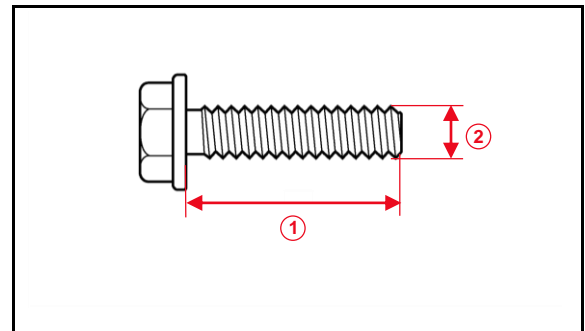
|   |                     |
|---|---------------------|
| 1 | Self-tapping Screws |
| 2 | Bolts               |
| 3 | Front License Plate |
| 4 | Mounting Bracket    |

4. Install the front license plate to the mounting bracket at holes "B" using two noncorroding bolts with the following dimensions:

**Length: 15.0 mm (0.59 in.)**

**Diameter: 6.0 mm (0.24 in.)**

**Figure 5.**



|   |          |
|---|----------|
| 1 | Length   |
| 2 | Diameter |

## 2024 Prius Pre-Delivery Service (PDS)

---

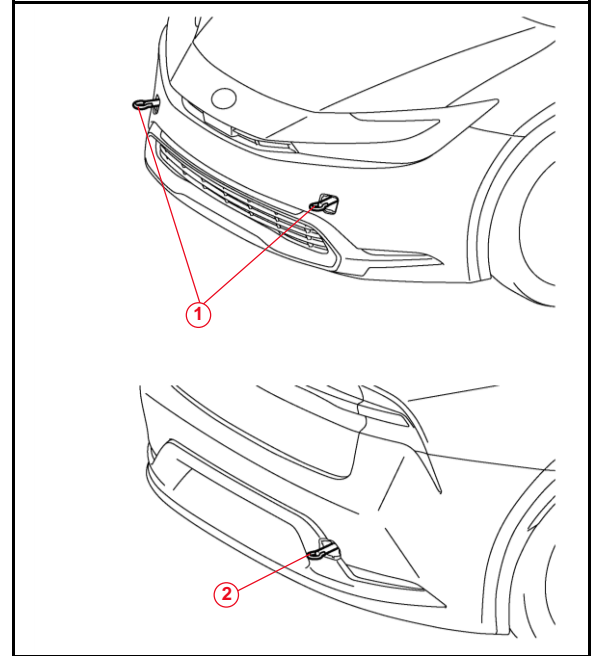
### Front and Rear Emergency Towing Eyelet Removal and Hole Cover Installation

1. Remove the front and rear emergency towing eyelets from the front and rear bumpers by turning them counterclockwise.

**NOTE**

If it is difficult to loosen the emergency towing eyelet(s), use a steel bar.

**Figure 6.**



|          |                                       |
|----------|---------------------------------------|
| <b>1</b> | <b>Front Emergency Towing Eyelets</b> |
| <b>2</b> | <b>Rear Emergency Towing Eyelet</b>   |



## 2024 Prius Pre-Delivery Service (PDS)

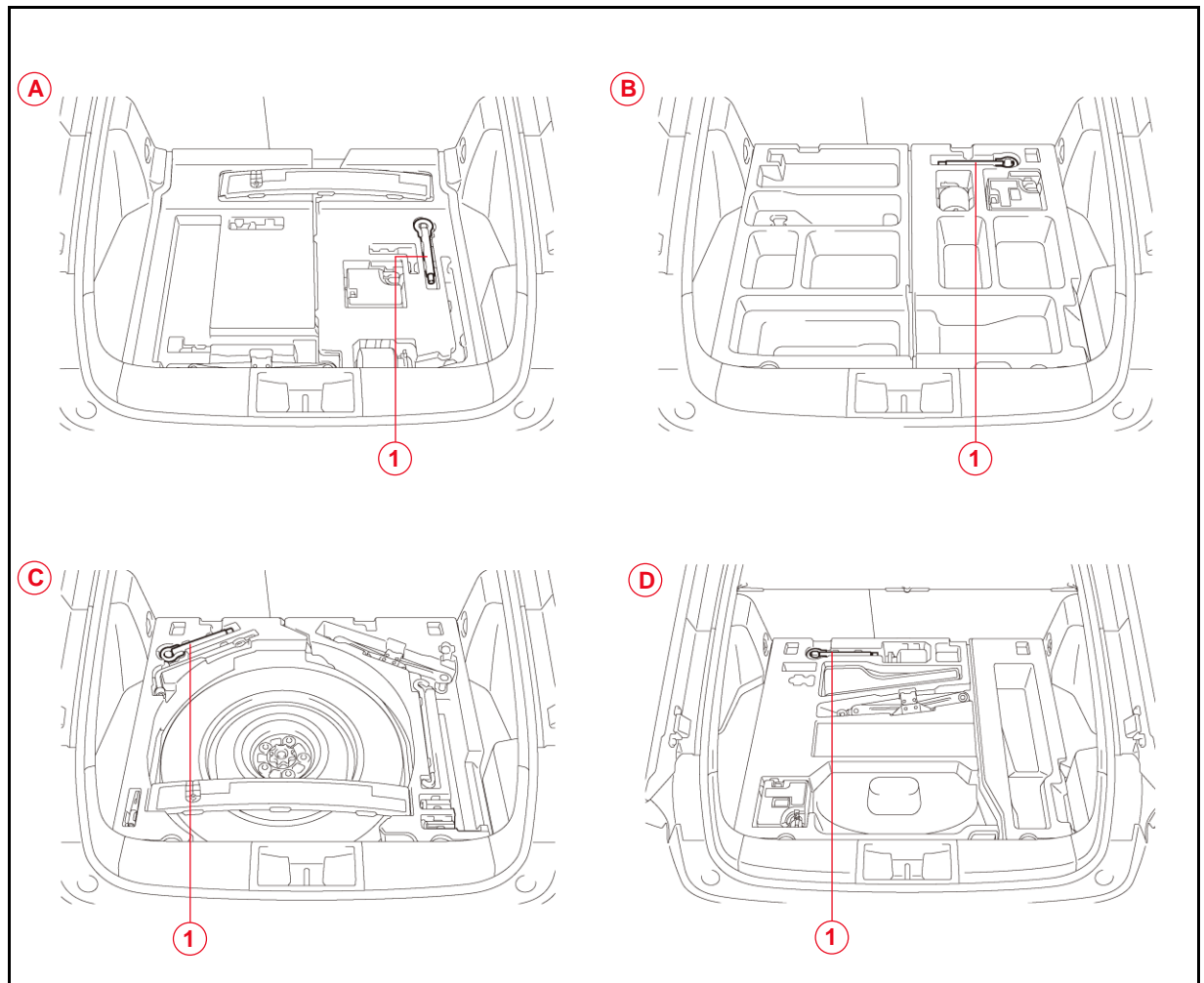
### Front and Rear Emergency Towing Eyelet Removal and Hole Cover Installation (continued)

- Place one of the removed emergency towing eyelets into the luggage tray in the luggage compartment.

**NOTE**

Dispose of the other removed emergency towing eyelet(s).

**Figure 7.**



|          |        |
|----------|--------|
| <b>A</b> | Type A |
| <b>B</b> | Type B |
| <b>C</b> | Type C |

|          |                         |
|----------|-------------------------|
| <b>D</b> | Type D                  |
| <b>1</b> | Emergency Towing Eyelet |

## 2024 Prius Pre-Delivery Service (PDS)

### Front and Rear Emergency Towing Eyelet Removal and Hole Cover Installation (continued)

3. Install the front AND rear emergency towing eyelet hole covers, which are stored in the glove compartment, onto the front and rear bumpers.

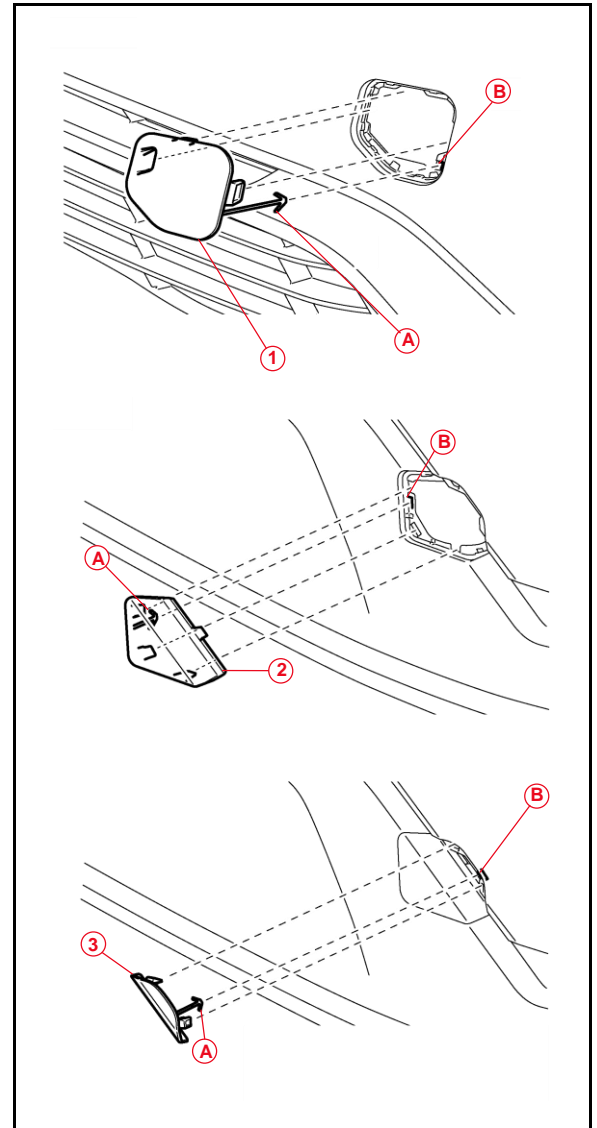
- A. Insert the arrow-shaped part "A" of the front emergency towing eyelet hole covers into eyelet holes "B" as shown.

- B. Install the front and rear emergency towing eyelet hole covers into the holes of the front bumper.

**NOTE**

Make sure the front emergency towing eyelet cover is installed in the front, and the rear emergency towing eyelet cover is installed in the rear.

**Figure 8.**



|          |   |
|----------|---|
| <b>A</b> | Arrow-shaped Part                             |
| <b>B</b> | Eyelet Hole                                   |
| <b>1</b> | Front Emergency Towing Eyelet Hole Cover      |
| <b>2</b> | Rear No. 1 Emergency Towing Eyelet Hole Cover |
| <b>3</b> | Rear No. 2 Emergency Towing Eyelet Hole Cover |

## 2024 Prius Pre-Delivery Service (PDS)

---

### Power Back Door Initialization

Refer to the applicable Repair Manual for the power back door [initialization procedure](#).

### Tire Pressure Warning System (TPWS) Initialization

Refer to the applicable Repair Manual for the TPWS [initialization procedure](#). Note the spare tire does NOT have a TPWS sensor.

#### NOTE

To adjust the tire pressure correctly when the outside temperature is significantly colder than shop temperature, perform a Health Check using GTS+ and select the compensation tire pressure checkbox. Compensation pressures will display on the Health Check results screen. Adjust the tire pressure when the tires are cold.

### Seating Position Control ECU Initialization

Refer to the applicable Repair Manual for the seating position control ECU [initialization procedure](#) (procedure 2).

### Head Unit System Reset

Prior to vehicle delivery, confirm that the welcome screen with language options appears on the head unit display when the ignition is switched to the ON position. There may be instances in which the welcome screen with language options may not properly appear on the head unit display.

If the welcome screen showing language options is not displayed, complete the following steps:

1. Select the Settings option (gear icon).
2. Scroll down and select the Info & Security option.
3. The System Reset dialogue box will appear. Select Reset to confirm the resetting of the system.
4. Confirm that the welcome screen with language options is now displayed.

## 2024 Prius Pre-Delivery Service (PDS)

---

### Customize ACC Function

The pre-startup function detects when a user enters the vehicle and energizes the audio head unit (+BA) so that the multimedia system can quickly be used. This function is not enabled at the factory to reduce parasitic current draw in transit and storage. To enable this function, it is necessary to set the ACC customization function in the navigation display to OFF.

1. Turn the engine switch (power switch) to the ON position (ON mode).
2. Enter the following menus: *Settings – Vehicle Customization – Utility – ACC Customize*.
3. Change the setting to OFF.

### Navigation — Set Date & Time by GPS

Prior to vehicle delivery, it is necessary to turn the Set Date & Time by GPS setting to the ON position.

1. Turn the engine switch (power switch) to the ON position (ON mode).
2. Navigate the following menus in the head unit: *Settings – General – Date & Time – Set date & time by GPS*.
3. Ensure the Set Date & Time by GPS function is set to the ON position.

### Dealer Contact Information for Call Dealer Head Unit Function (Premium Audio Only)

Refer to the *Multimedia System Owner's Manual* to [add dealer contact information](#).  
See section 2-4 *Other Settings – Vehicle Settings – Dealer Settings*.