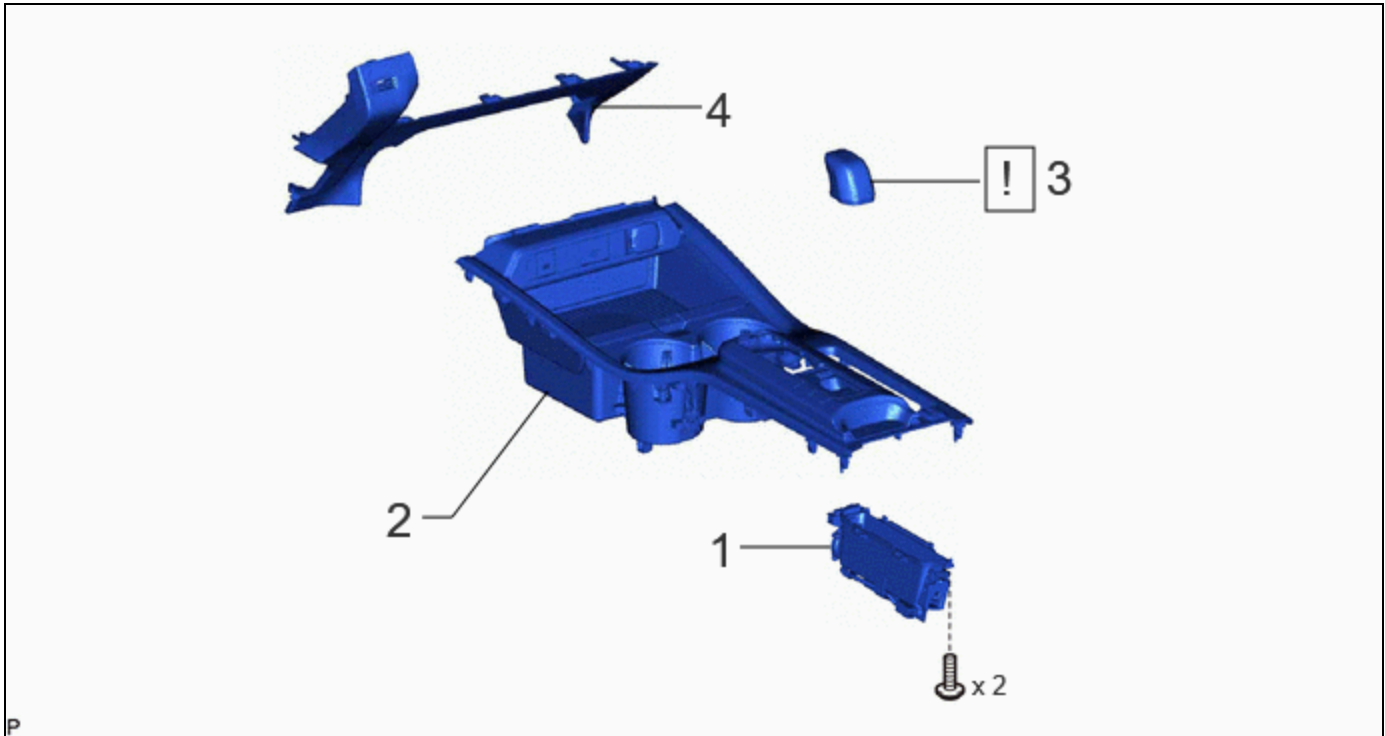


<b>Last Modified:</b> 12-04-2024	6.11:8.1.0	<b>Doc ID:</b> RM1000000029ORN
<b>Model Year Start:</b> 2023	<b>Model:</b> Prius Prime	<b>Prod Date Range:</b> [12/2022 - ]
<b>Title:</b> POWER OUTLETS (INT): WIRELESS CHARGER ASSEMBLY: INSTALLATION; 2023 - 2024 MY Prius Prius Prime [12/2022 - ]		

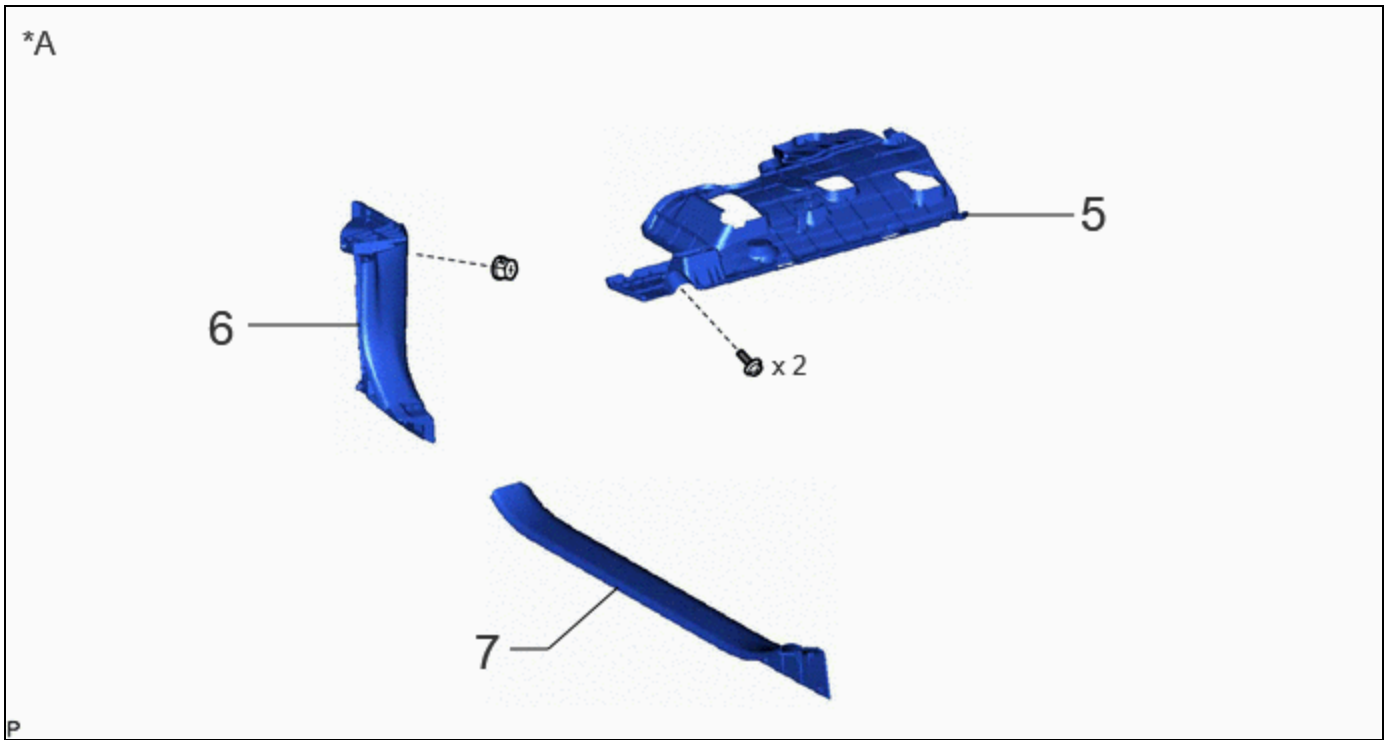
## INSTALLATION

### CAUTION / NOTICE / HINT

#### COMPONENTS (INSTALLATION)



	PROCEDURE	PART NAME CODE			
1	MOBILE WIRELESS CHARGER CRADLE ASSEMBLY	861C0	-	-	-
2	UPPER CONSOLE PANEL SUB-ASSEMBLY	58804A	-	-	-
3	SHIFT LEVER KNOB SUB-ASSEMBLY	33504F	<a href="#">INFO</a>	-	-
4	LOWER CENTER INSTRUMENT PANEL FINISH PANEL	55434B	-	-	-



PROCEDURE		PART NAME CODE			
5	NO. 1 INSTRUMENT PANEL UNDER COVER SUB-ASSEMBLY	55606	-	-	-
6	COWL SIDE TRIM BOARD LH	62112	-	-	-
7	FRONT DOOR SCUFF PLATE LH	67914	-	-	-

*A	w/ Knee Airbag	-	-
----	----------------	---	---

## PROCEDURE

1. INSTALL MOBILE WIRELESS CHARGER CRADLE ASSEMBLY
2. INSTALL UPPER CONSOLE PANEL SUB-ASSEMBLY
3. INSTALL SHIFT LEVER KNOB SUB-ASSEMBLY

	Click here <a href="#">INFO</a>
--	---------------------------------

4. INSTALL LOWER CENTER INSTRUMENT PANEL FINISH PANEL
5. INSTALL NO. 1 INSTRUMENT PANEL UNDER COVER SUB-ASSEMBLY (w/ Knee Airbag)
6. INSTALL COWL SIDE TRIM BOARD LH (w/ Knee Airbag)
7. INSTALL FRONT DOOR SCUFF PLATE LH (w/ Knee Airbag)

