

Last Modified: 12-04-2024	6.11:8.1.0	Doc ID: RM10000002B3HU
Model Year Start: 2023	Model: Prius Prime	Prod Date Range: [03/2023 -]
Title: POWER OUTLETS (INT): POWER OUTLET SOCKET (for Luggage Compartment): REMOVAL; 2023 - 2024 MY Prius Prius Prime [03/2023 -]		

REMOVAL

CAUTION / NOTICE / HINT

The necessary procedures (adjustment, calibration, initialization or registration) that must be performed after parts are removed and installed, or replaced during power outlet socket removal/installation are shown below.

CAUTION:

Be sure to read Precaution thoroughly before servicing.



[Click here](#) INFO

NOTICE:

After the ignition switch is turned off, there may be a waiting time before disconnecting the negative (-) auxiliary battery terminal.

[Click here](#) INFO

HINT:

When the cable is disconnected / reconnected to the auxiliary battery terminal, systems temporarily stop operating. However, each system has a function that completes learning the first time the system is used.

Learning completes when vehicle is driven

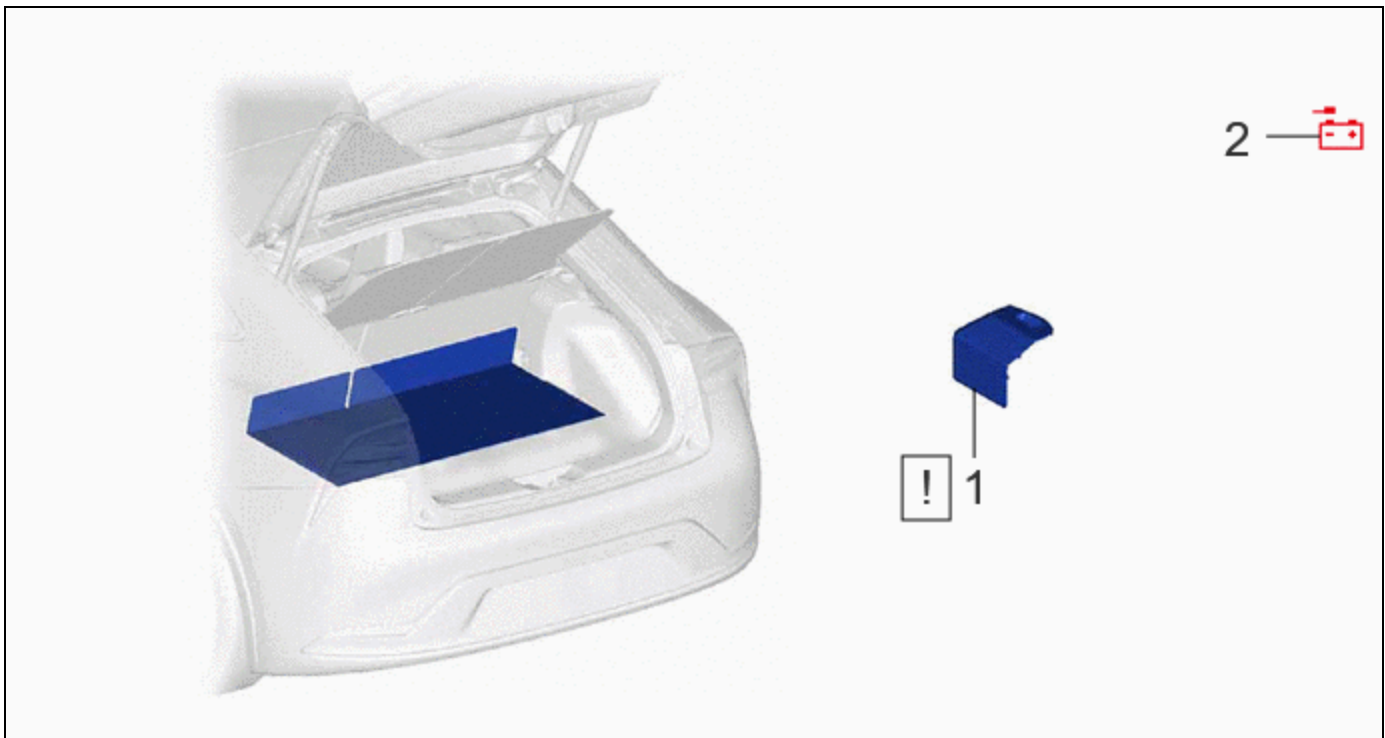
EFFECT/INOPERATIVE FUNCTION WHEN NECESSARY PROCEDURES ARE NOT PERFORMED	NECESSARY PROCEDURES	LINK
Front Camera System	Drive the vehicle straight ahead at 35 km/h (22 mph) or more for 5 seconds or more.	INFO




Learning completes when vehicle is operated normally

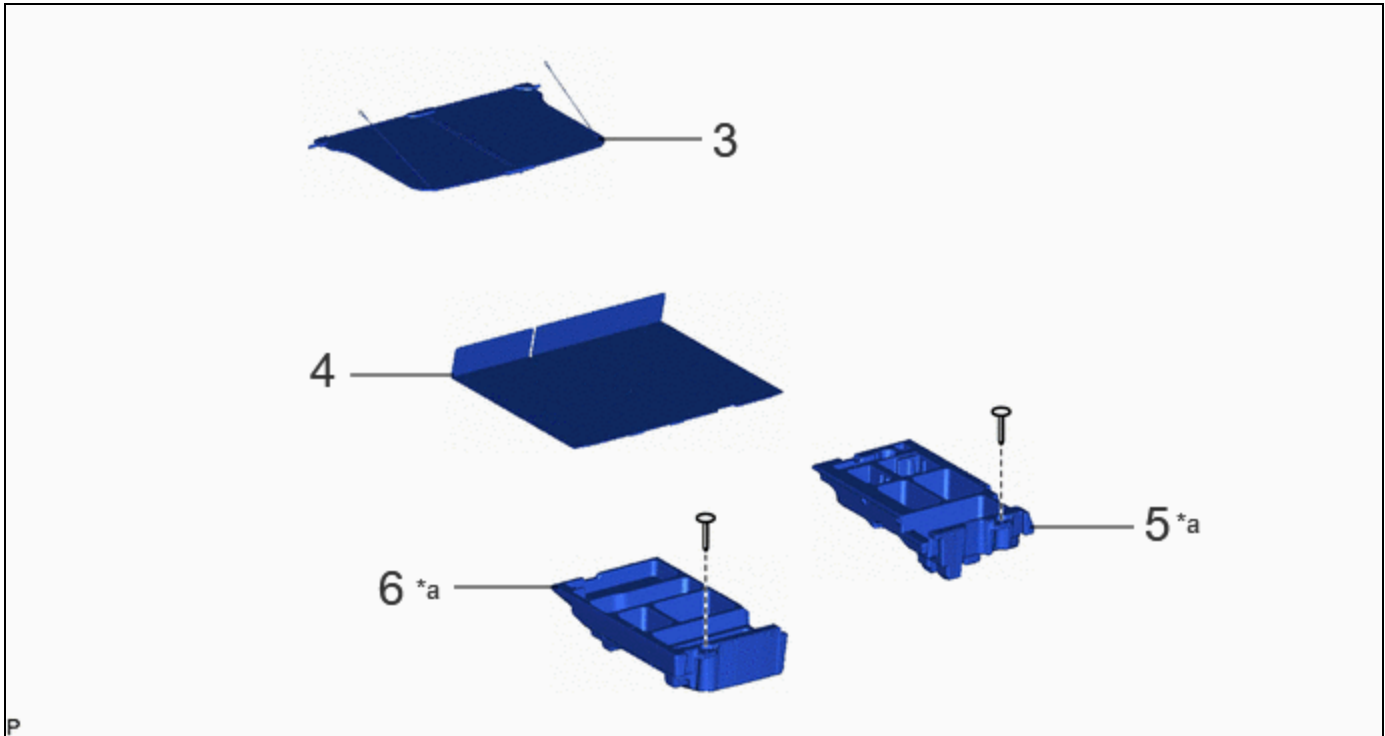
EFFECT/INOPERATIVE FUNCTION WHEN NECESSARY PROCEDURES ARE NOT PERFORMED	NECESSARY PROCEDURES	LINK
<p>Power Door Lock Control System*1</p> <p>Back door opener</p>	<p>Perform door unlock operation with door control switch or electrical key transmitter sub-assembly switch.</p>	<p>INFO</p>
<p>Power Back Door System*2</p>	<p>Reset back door close position</p>	<p>INFO</p>
<p>Air Conditioning System</p>	<p>for HEV Model:</p> <p>After the ignition switch is turned to ON, the servo motor standard position is recognized.</p> <p>for PHEV Model:</p> <p>After the ignition switch is turned to ON, the servo motor and expansion valve standard position is recognized.</p>	<p>-</p>
<p>*1: w/o Power Back Door System</p> <p>*2: w/ Power Back Door System</p>		




CAUTION / NOTICE / HINT

COMPONENTS (REMOVAL)

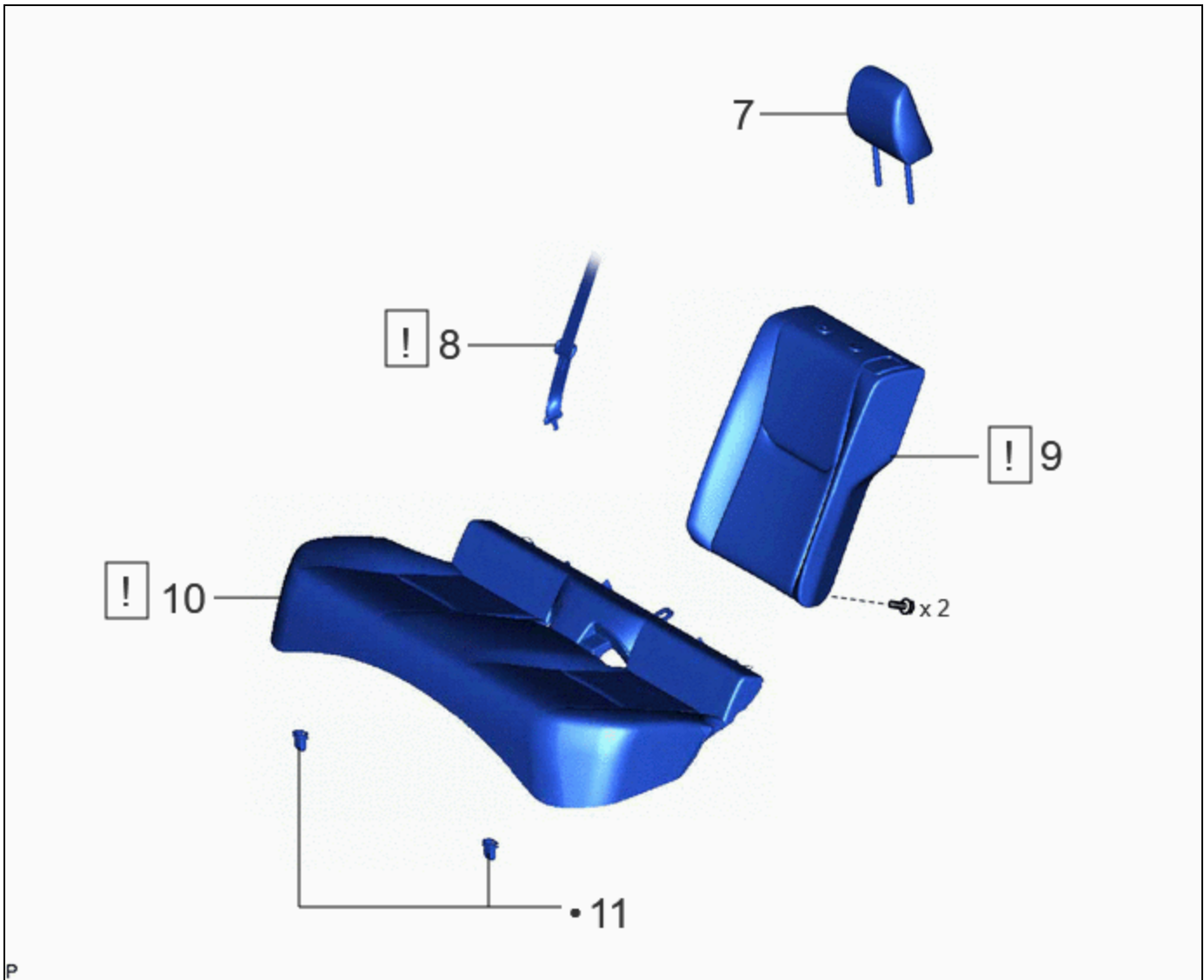


PROCEDURE		PART NAME CODE			
1	BATTERY SERVICE HOLE COVER ASSEMBLY	58440	INFO	-	-
2	DISCONNECT CABLE FROM NEGATIVE AUXILIARY BATTERY TERMINAL	58410B	-	-	-



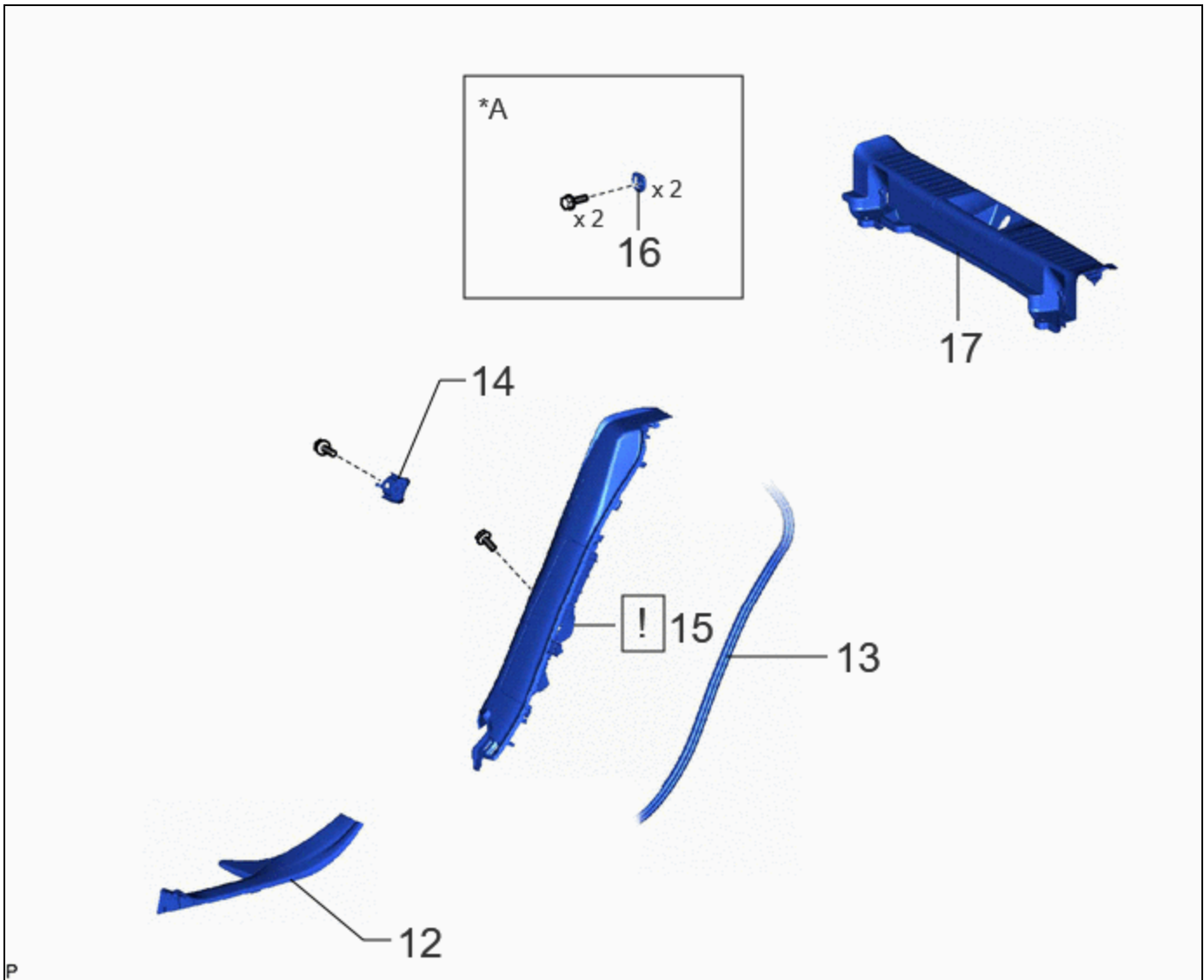
PROCEDURE		PART NAME CODE			
3	TONNEAU COVER ASSEMBLY	64910J	-	-	-
4	DECK BOARD ASSEMBLY	58410B	-	-	-
5	DECK FLOOR BOX RH	64995	-	-	-
6	DECK FLOOR BOX LH	64997	-	-	-

*a	<p>HINT: As the illustration shown is an example, the actual details may differ.</p>	-	-
----	---	---	---



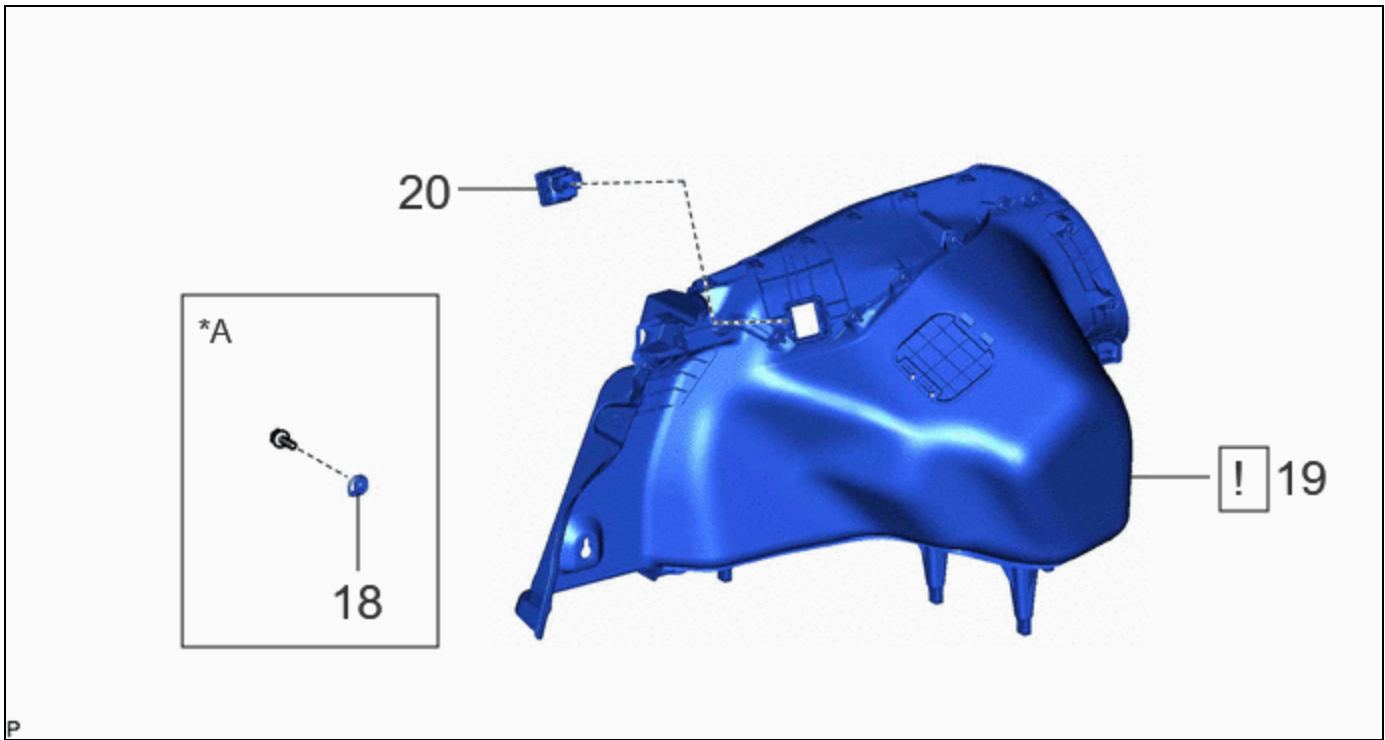
PROCEDURE		PART NAME CODE			
7	REAR SEAT HEADREST ASSEMBLY	71940A	-	-	-
8	REAR CENTER SEAT OUTER BELT ASSEMBLY	73350C	INFO	-	-
9	REAR SEATBACK ASSEMBLY LH	-	INFO	-	-
10	REAR SEAT CUSHION ASSEMBLY	-	INFO	-	-
11	REAR SEAT CUSHION LOCK HOOK	72693	-	-	-

•	Non-reusable part	-	-
---	-------------------	---	---



PROCEDURE		PART NAME CODE			
12	REAR DOOR SCUFF PLATE INSIDE LH	67918F	-	-	-
13	REAR DOOR OPENING TRIM WEATHERSTRIP LH	62332A	-	-	-
14	REAR SEATBACK HINGE SUB-ASSEMBLY LH	71304C	-	-	-
15	REAR SEAT SIDE GARNISH LH	62552F	INFO	-	-
16	LUGGAGE HOLD BELT STRIKER ASSEMBLY	58460D	-	-	-
17	REAR DECK TRIM COVER	64716D	-	-	-

*A	for Rear Side	-	-
----	---------------	---	---



PROCEDURE		PART NAME CODE			
18	LUGGAGE HOLD BELT STRIKER ASSEMBLY	58460D	-	-	-
19	DECK TRIM SIDE PANEL ASSEMBLY LH	64740C	INFO	-	-
20	REAR NO. 1 POWER OUTLET SOCKET ASSEMBLY	85530B	-	-	-

*A	for LH Side	-	-
----	-------------	---	---

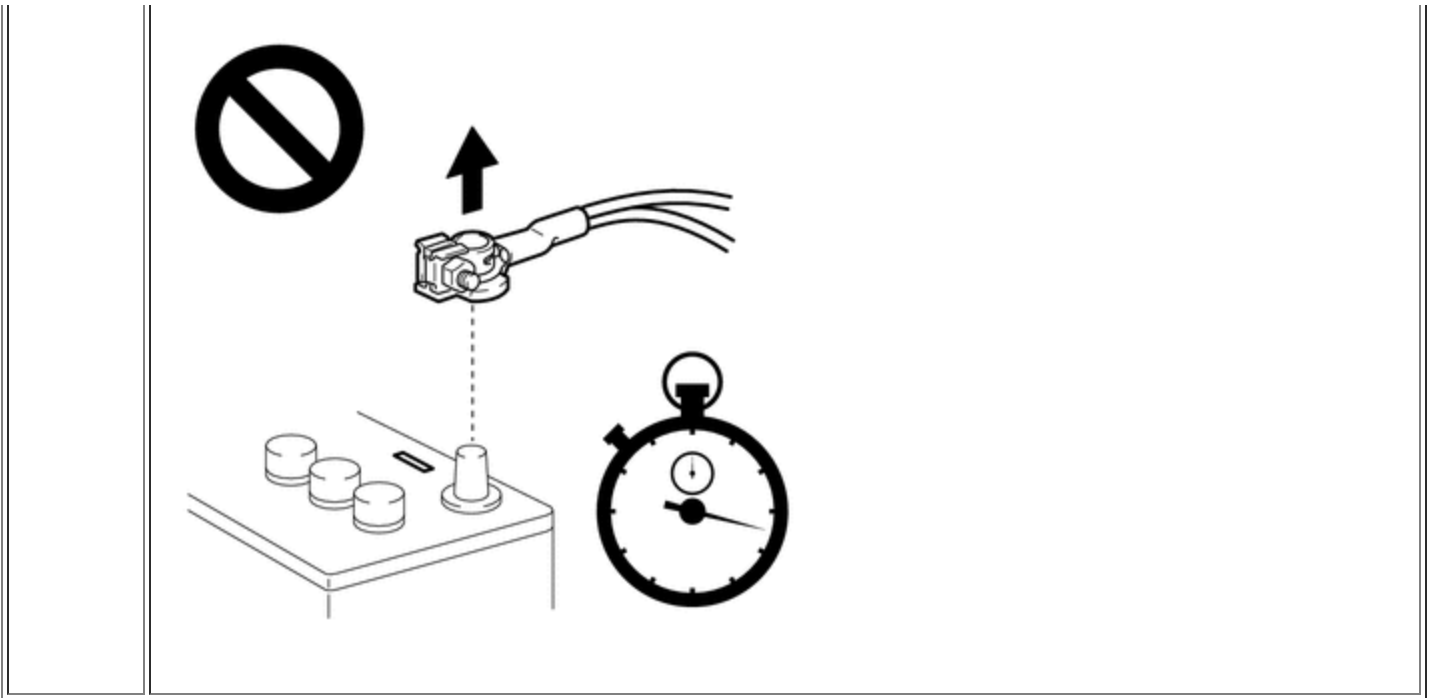
PROCEDURE

1. REMOVE BATTERY SERVICE HOLE COVER ASSEMBLY

	Click here INFO
--	---------------------------------

2. DISCONNECT CABLE FROM NEGATIVE AUXILIARY BATTERY TERMINAL

	<p>CAUTION:</p> <ul style="list-style-type: none"> • Wait at least 60 seconds after disconnecting the cable from the negative (-) auxiliary battery terminal to disable the SRS system. • If an airbag deploys for any reason, it may cause a serious injury.
--	--



Click here [INFO](#)

3. REMOVE TONNEAU COVER ASSEMBLY

Click here [INFO](#)

4. REMOVE DECK BOARD ASSEMBLY

Click here [INFO](#)

5. REMOVE DECK FLOOR BOX RH

Click here [INFO](#)


6. REMOVE DECK FLOOR BOX LH

Click here [INFO](#)


7. REMOVE REAR SEAT HEADREST ASSEMBLY

Click here [INFO](#)

8. DISCONNECT REAR CENTER SEAT OUTER BELT ASSEMBLY

	Click here INFO
---	---------------------------------

9. REMOVE REAR SEATBACK ASSEMBLY LH

	Click here INFO
---	---------------------------------

10. REMOVE REAR SEAT CUSHION ASSEMBLY

	Click here INFO
---	---------------------------------

11. REMOVE REAR SEAT CUSHION LOCK HOOK

Click here [INFO](#)

12. REMOVE REAR DOOR SCUFF PLATE INSIDE LH

Click here [INFO](#)

13. DISCONNECT REAR DOOR OPENING TRIM WEATHERSTRIP LH

Click here [INFO](#)

14. REMOVE REAR SEATBACK HINGE SUB-ASSEMBLY LH

Click here [INFO](#)

15. REMOVE REAR SEAT SIDE GARNISH LH

	Click here INFO
---	---------------------------------

16. REMOVE LUGGAGE HOLD BELT STRIKER ASSEMBLY (for Rear Side)

Click here [INFO](#)

17. REMOVE REAR DECK TRIM COVER

Click here [INFO](#)

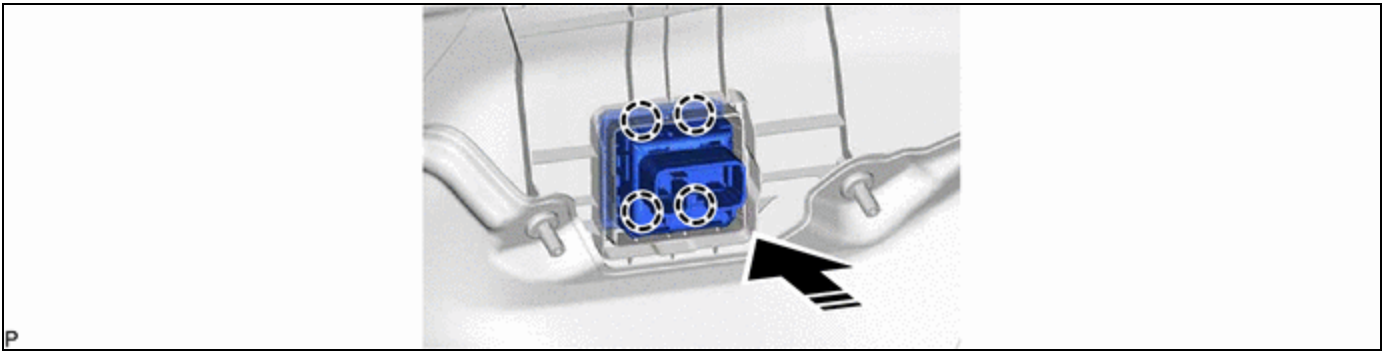
18. REMOVE LUGGAGE HOLD BELT STRIKER ASSEMBLY (for LH Side)


Click here [INFO](#)

19. REMOVE DECK TRIM SIDE PANEL ASSEMBLY LH

	Click here INFO
---	---------------------------------

20. REMOVE REAR NO. 1 POWER OUTLET SOCKET ASSEMBLY



	Remove in this Direction	-	-
---	--------------------------	---	---

