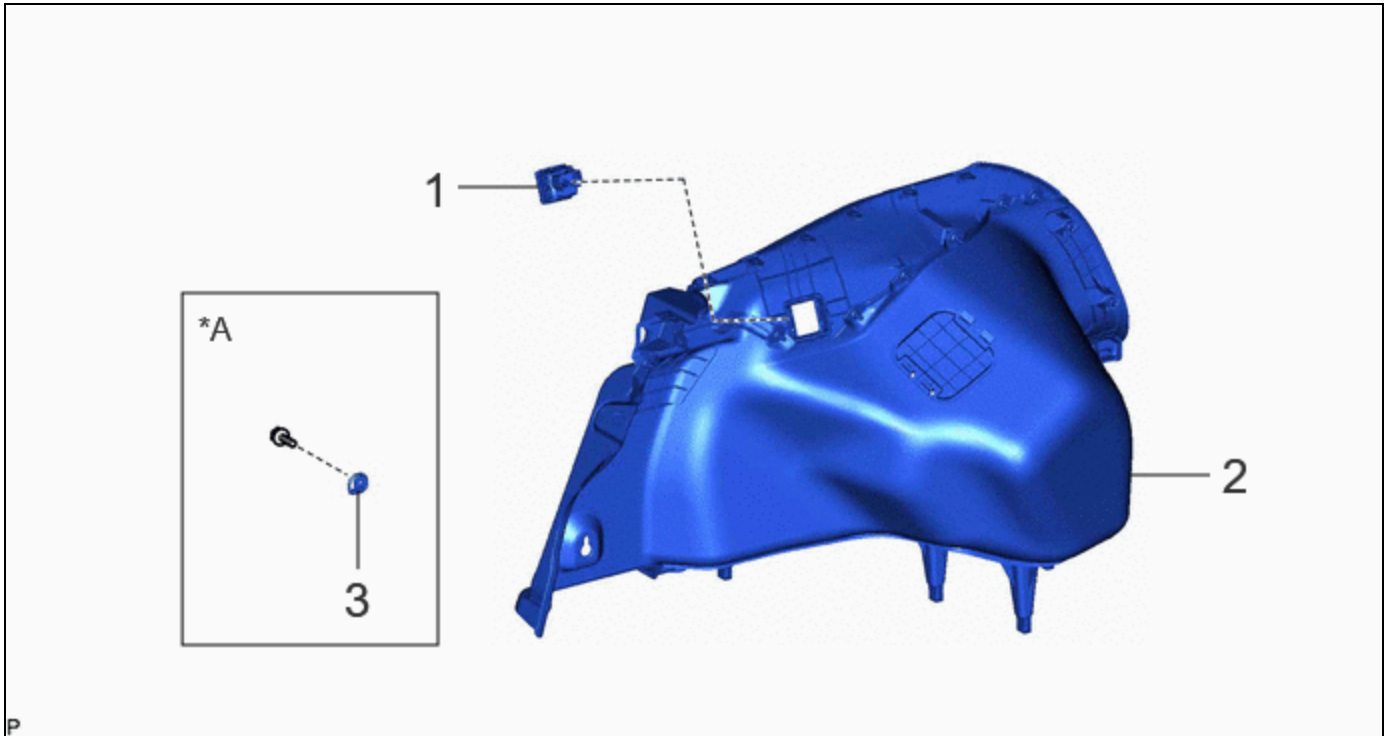


Last Modified: 12-04-2024	6.11:8.1.0	Doc ID: RM100000002B3HV
Model Year Start: 2023	Model: Prius Prime	Prod Date Range: [03/2023 -]
Title: POWER OUTLETS (INT): POWER OUTLET SOCKET (for Luggage Compartment): INSTALLATION; 2023 - 2024 MY Prius Prius Prime [03/2023 -]		

INSTALLATION

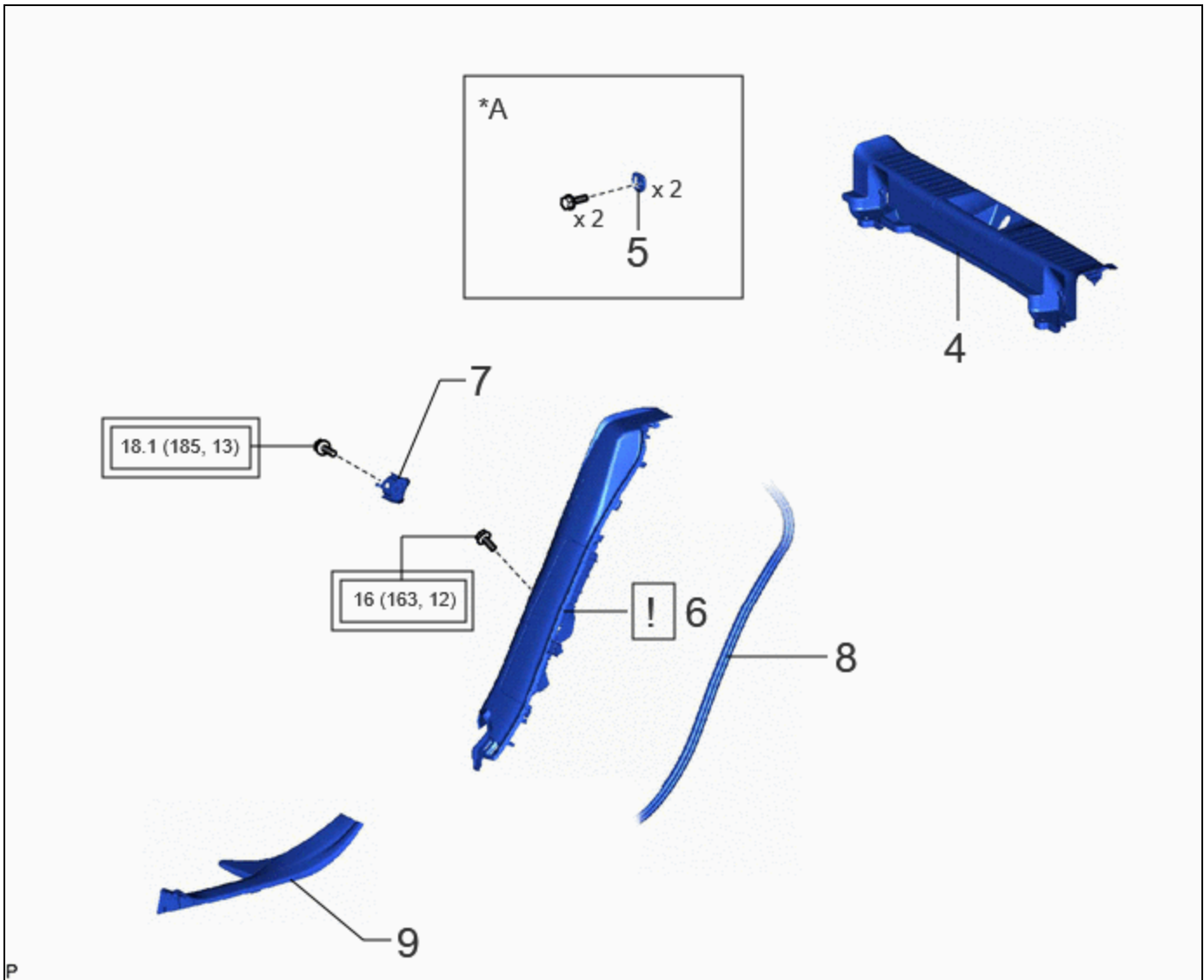
CAUTION / NOTICE / HINT

COMPONENTS (INSTALLATION)



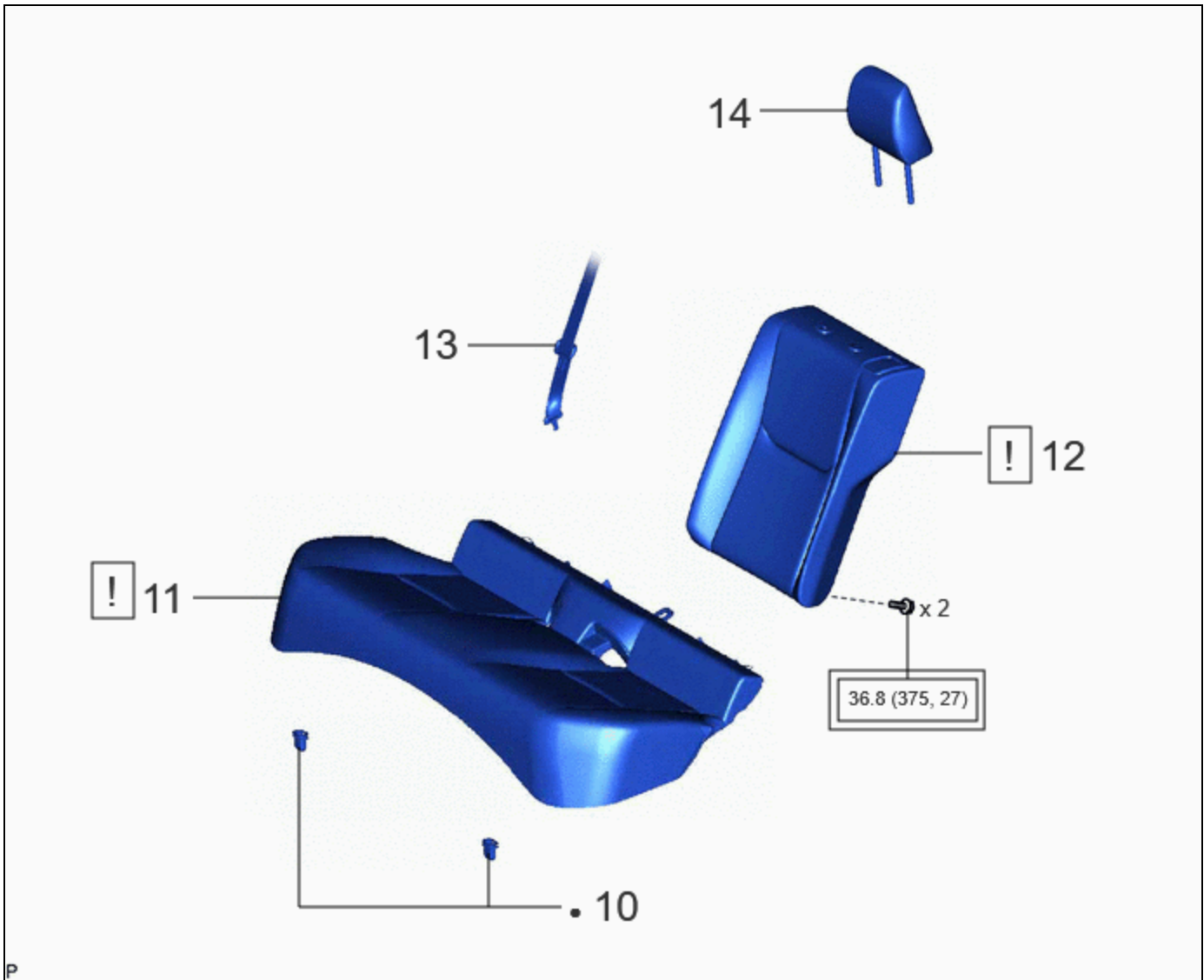
	PROCEDURE	PART NAME CODE			
1	REAR NO. 1 POWER OUTLET SOCKET ASSEMBLY	85530B	-	-	-
2	DECK TRIM SIDE PANEL ASSEMBLY LH	64740C	-	-	-
3	LUGGAGE HOLD BELT STRIKER ASSEMBLY	58460D	-	-	-

*A	for LH Side	-	-
----	-------------	---	---



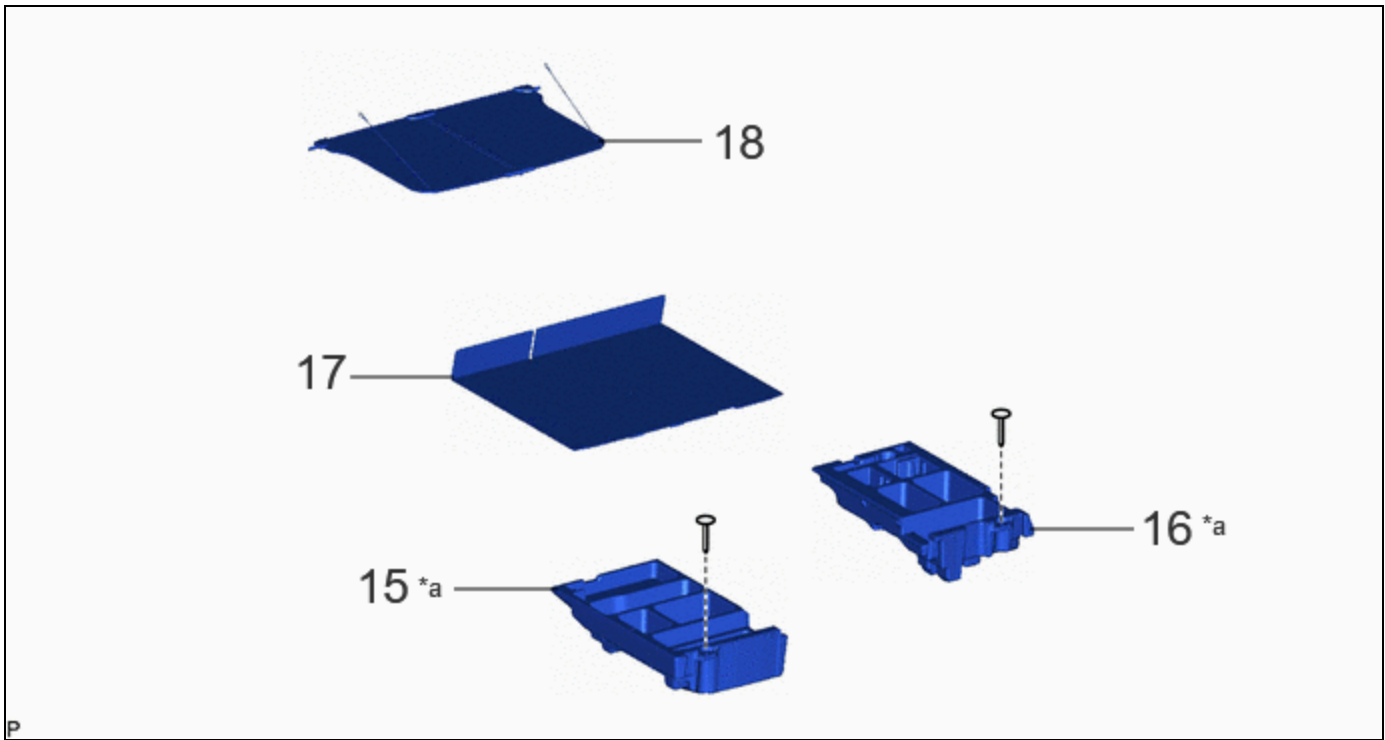
PROCEDURE		PART NAME CODE			
4	REAR DECK TRIM COVER	64716D	-	-	-
5	LUGGAGE HOLD BELT STRIKER ASSEMBLY	58460D	-	-	-
6	REAR SEAT SIDE GARNISH LH	62552F	INFO	-	-
7	REAR SEATBACK HINGE SUB-ASSEMBLY LH	71304C	-	-	-
8	REAR DOOR OPENING TRIM WEATHERSTRIP LH	62332A	-	-	-
9	REAR DOOR SCUFF PLATE INSIDE LH	67918F	-	-	-




*A	for Rear Side	-	-
	Tightening torque for "Major areas involving basic vehicle performance such as moving/turning/stopping": N*m (kgf*cm, ft.*lbf)	-	-



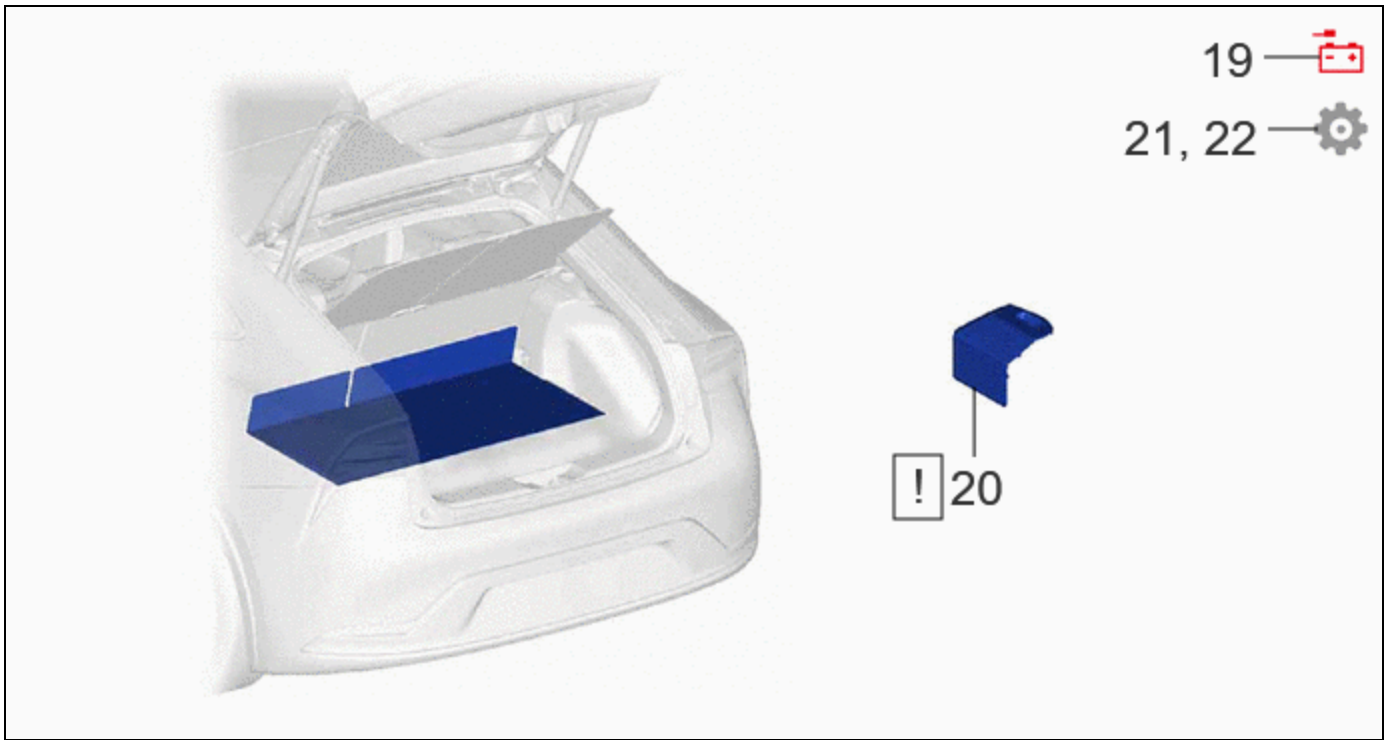
PROCEDURE		PART NAME CODE			
10	REAR SEAT CUSHION LOCK HOOK	72693	-	-	-
11	REAR SEAT CUSHION ASSEMBLY	-	INFO	-	-
12	REAR SEATBACK ASSEMBLY LH	-	INFO	-	-
13	REAR CENTER SEAT OUTER BELT ASSEMBLY	73350C	-	-	-
14	REAR SEAT HEADREST ASSEMBLY	71940A	-	-	-

	Tightening torque for "Major areas involving basic vehicle performance such as moving/turning/stopping": N*m (kgf*cm, ft.*lbf)	<ul style="list-style-type: none"> Non-reusable part
--	--	---



PROCEDURE		PART NAME CODE			
15	DECK FLOOR BOX LH	64997	-	-	-
16	DECK FLOOR BOX RH	64995	-	-	-
17	DECK BOARD ASSEMBLY	58410B	-	-	-
18	TONNEAU COVER ASSEMBLY	64910J	-	-	-

*a	<p>HINT: As the illustration shown is an example, the actual details may differ.</p>	-	-
----	---	---	---




PROCEDURE		PART NAME CODE			
19	CONNECT CABLE TO NEGATIVE AUXILIARY BATTERY TERMINAL	-	-	-	-
20	BATTERY SERVICE HOLE COVER ASSEMBLY	58440	INFO	-	-
21	INSPECT SRS WARNING LIGHT	-	-	-	INFO
22	INITIALIZATION AFTER RECONNECTING AUXILIARY BATTERY TERMINAL	-	-	-	INFO

PROCEDURE


1. INSTALL REAR NO. 1 POWER OUTLET SOCKET ASSEMBLY
2. INSTALL DECK TRIM SIDE PANEL ASSEMBLY LH
3. INSTALL LUGGAGE HOLD BELT STRIKER ASSEMBLY (for LH Side)
4. INSTALL REAR DECK TRIM COVER
5. INSTALL LUGGAGE HOLD BELT STRIKER ASSEMBLY (for Rear Side)
6. INSTALL REAR SEAT SIDE GARNISH LH

	Click here INFO
--	---------------------------------


7. INSTALL REAR SEATBACK HINGE SUB-ASSEMBLY LHClick here [INFO](#)**8. CONNECT REAR DOOR OPENING TRIM WEATHERSTRIP LH****9. INSTALL REAR DOOR SCUFF PLATE INSIDE LH****10. INSTALL REAR SEAT CUSHION LOCK HOOK****11. INSTALL REAR SEAT CUSHION ASSEMBLY**

	Click here INFO
---	---------------------------------

12. INSTALL REAR SEATBACK ASSEMBLY LH

	Click here INFO
---	---------------------------------

13. CONNECT REAR CENTER SEAT OUTER BELT ASSEMBLY**14. INSTALL REAR SEAT HEADREST ASSEMBLY****15. INSTALL DECK FLOOR BOX LH****16. INSTALL DECK FLOOR BOX RH****17. INSTALL DECK BOARD ASSEMBLY****18. INSTALL TONNEAU COVER ASSEMBLY****19. CONNECT CABLE TO NEGATIVE AUXILIARY BATTERY TERMINAL**Click here [INFO](#)**20. INSTALL BATTERY SERVICE HOLE COVER ASSEMBLY**

	Click here INFO
---	---------------------------------

21. INSPECT SRS WARNING LIGHTClick here [INFO](#)**22. INITIALIZATION AFTER RECONNECTING AUXILIARY BATTERY TERMINAL****HINT:**

When disconnecting and reconnecting the auxiliary battery, there is an automatic learning function that completes learning when the respective system is used.

Click here [INFO](#)

