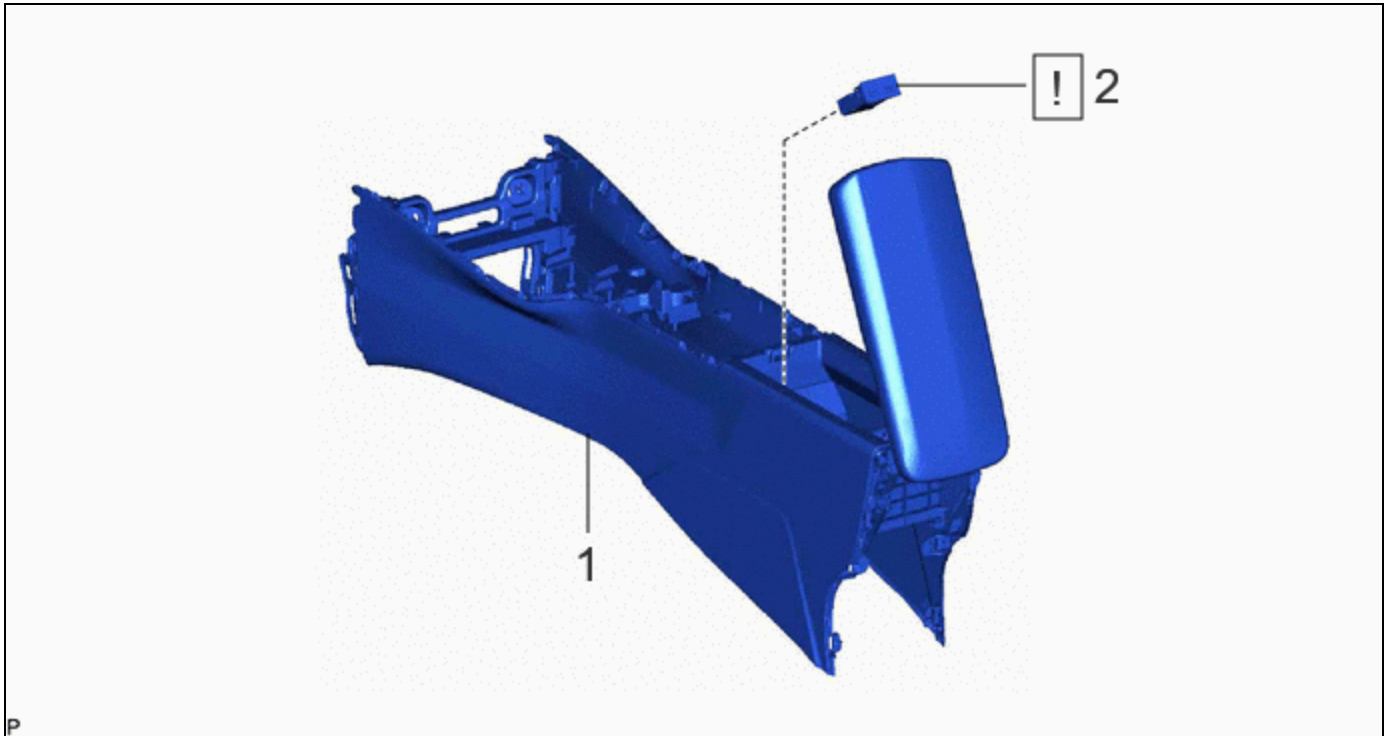


Last Modified: 12-04-2024	6.11:8.1.0	Doc ID: RM100000029ORG
Model Year Start: 2023	Model: Prius Prime	Prod Date Range: [12/2022 -]
Title: POWER OUTLETS (INT): POWER OUTLET SOCKET (for Console Box): REMOVAL; 2023 - 2024 MY Prius Prius Prime [12/2022 -]		

REMOVAL

CAUTION / NOTICE / HINT

COMPONENTS (REMOVAL)



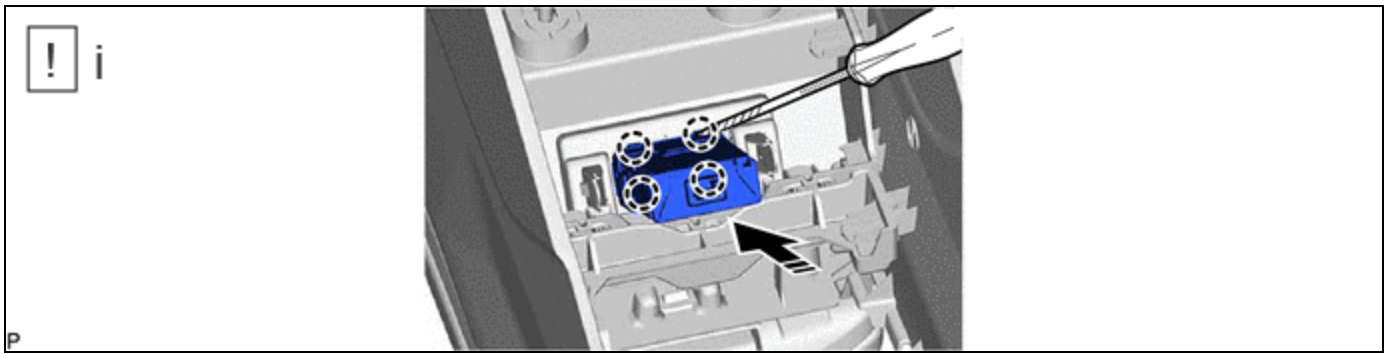
	PROCEDURE	PART NAME CODE			
1	CONSOLE BOX ASSEMBLY	-	-	-	-
2	NO. 2 USB CHARGER SOCKET	85532C	INFO	-	-

PROCEDURE

1. REMOVE CONSOLE BOX ASSEMBLY

Click here [INFO](#)

2. REMOVE NO. 2 USB CHARGER SOCKET



	Remove in this Direction	-	-
--	--------------------------	---	---

(1) Using a screwdriver with its tip wrapped with protective tape, disengage the 4 claws and remove the No. 2 USB charger socket as shown in the illustration.

