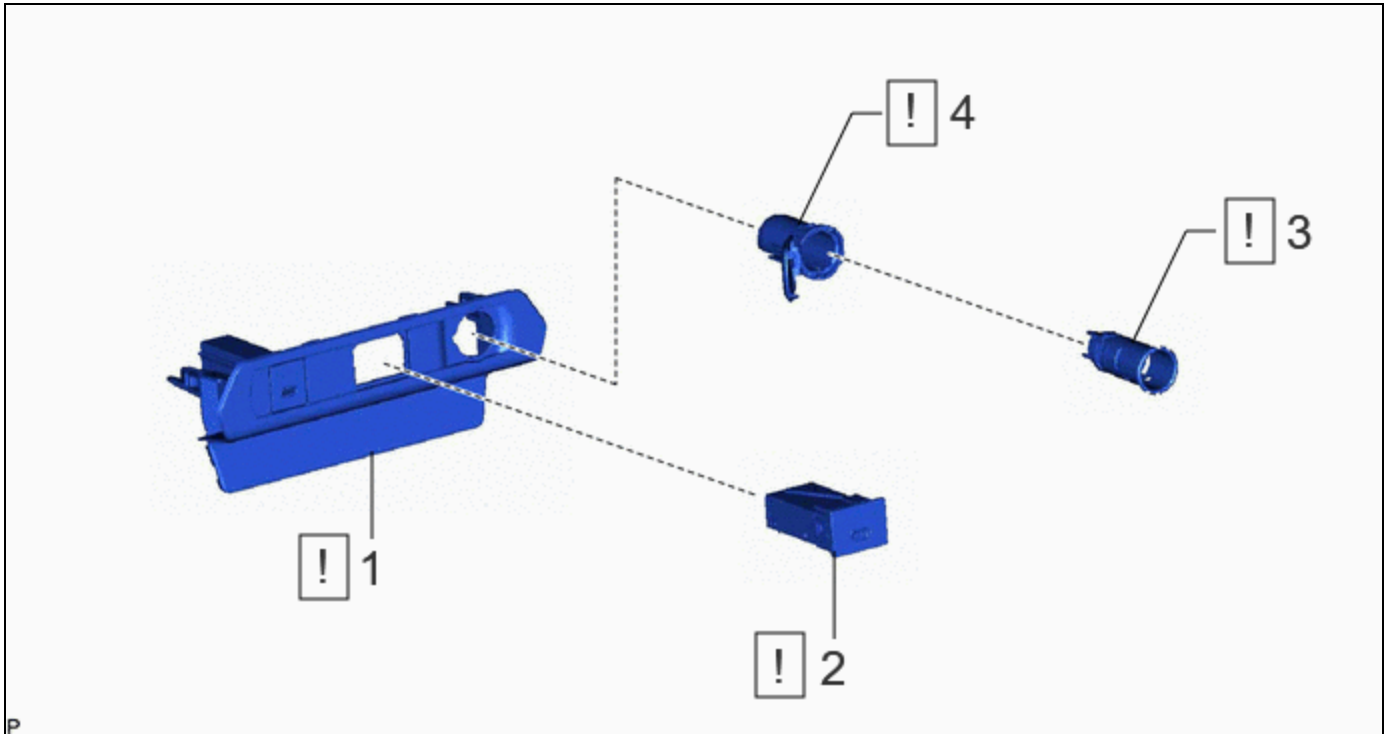


Last Modified: 12-04-2024	6.11:8.1.0	Doc ID: RM100000029ORI
Model Year Start: 2023	Model: Prius Prime	Prod Date Range: [12/2022 -]
Title: POWER OUTLETS (INT): POWER OUTLET SOCKET (for Console Box Front Side): REMOVAL; 2023 - 2024 MY Prius Prius Prime [12/2022 -]		

REMOVAL

CAUTION / NOTICE / HINT

COMPONENTS (REMOVAL)



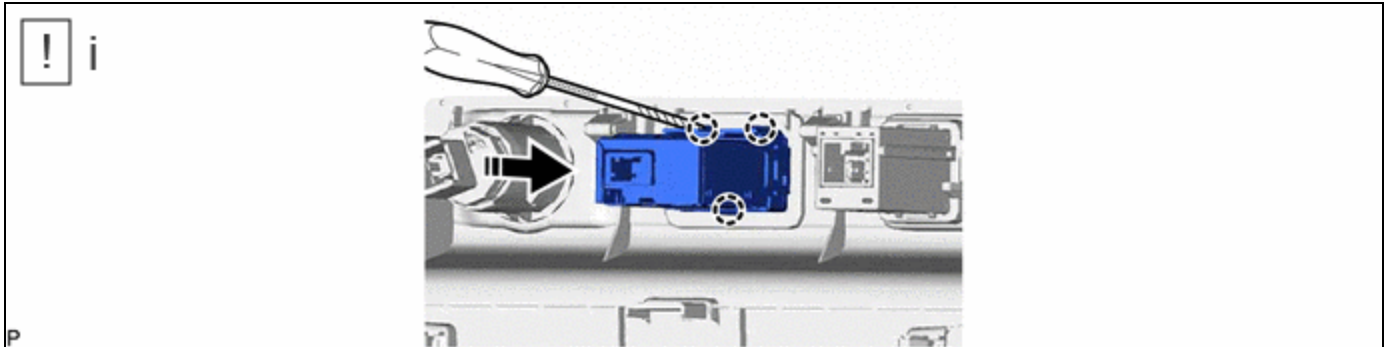
	PROCEDURE	PART NAME CODE			
1	FRONT CONSOLE BOX COVER	58818A	INFO	-	-
2	USB CHARGER SOCKET	85532	INFO	-	-
3	NO. 1 POWER OUTLET SOCKET ASSEMBLY	85530	INFO	-	-
4	NO. 1 POWER OUTLET SOCKET COVER	85535B	INFO	-	-


PROCEDURE

1. REMOVE FRONT CONSOLE BOX COVER

	Click here INFO
---	---------------------------------

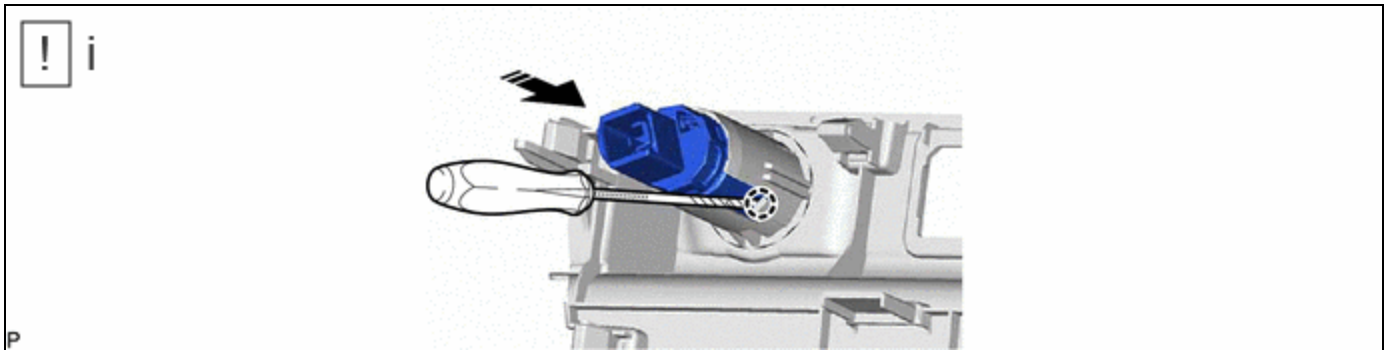
2. REMOVE USB CHARGER SOCKET




	Remove in this Direction	-	-
---	--------------------------	---	---

(1) Using a screwdriver with its tip wrapped with protective tape, disengage the 3 claws and remove the USB charger socket as shown in the illustration.

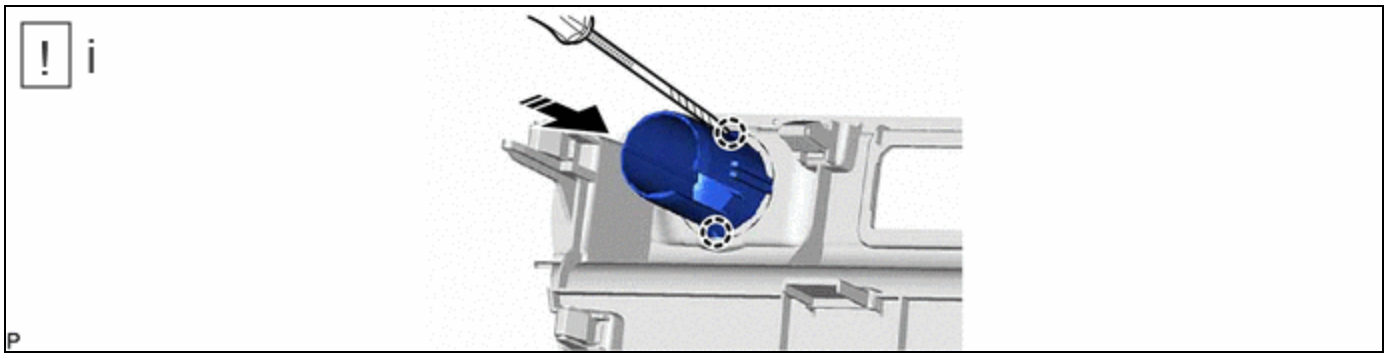
3. REMOVE NO. 1 POWER OUTLET SOCKET ASSEMBLY




	Remove in this Direction	-	-
---	--------------------------	---	---

(1) Using a screwdriver with its tip wrapped with protective tape, disengage the claw and remove the No. 1 power outlet socket assembly as shown in the illustration.

4. REMOVE NO. 1 POWER OUTLET SOCKET COVER



	Remove in this Direction	-	-
---	--------------------------	---	---

(1) Using a screwdriver with its tip wrapped with protective tape, disengage the 2 claws and remove the No. 1 power outlet socket cover as shown in the illustration.

